



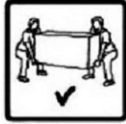
**ASSEMBLY TIPS:**

- 1.Remove hardware from box and sort by size.
- 2.Please check to see that all hardware and parts are present prior to start of assembly.
- 3.Please follow attached instructions in the same sequence as numbered to assure fast and easy assembly.



**Warning !**

- 1.Don't attempt to repair or modify parts that are broken or defective. Please contact the store immediately.
- 2.This product is for home use only and not intended for commercial establishments.



**ASSEMBLY TIME 20 MINUTES**

**PARTS IDENTIFICATION**

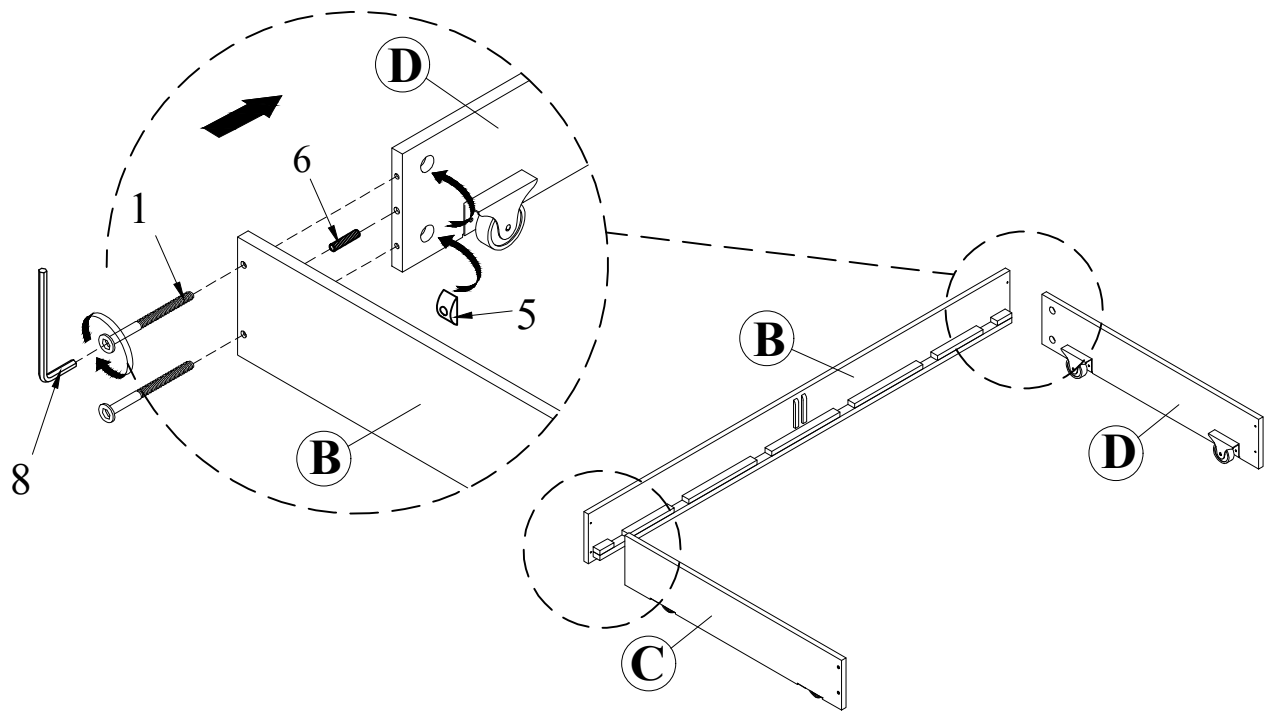
<b>A</b>	FRONT PANEL		1PC
<b>B</b>	BACK PANEL		1PC
<b>C</b>	LEFT SIDE PANEL WITH CASTER		1PC
<b>D</b>	RIGHT SIDE PANEL WITH CASTER		1PC
<b>E</b>	CENTER BOTTOM PANEL		3PCS
<b>F</b>	RIGHT BOTTOM PANEL		1PC
<b>G</b>	LEFT BOTTOM PANEL		1PC
<b>H</b>	DIVIDER		1PC
<b>I</b>	BOTTOM RAIL		4 PCS
<b>J</b>	CENTER BOTTOM RAIL		2 PCS
<b>K</b>	CASTER		4 PCS
<b>X</b>	KNOB WITH SCREW		4 SETS

**HARDWARE IDENTIFICATION**

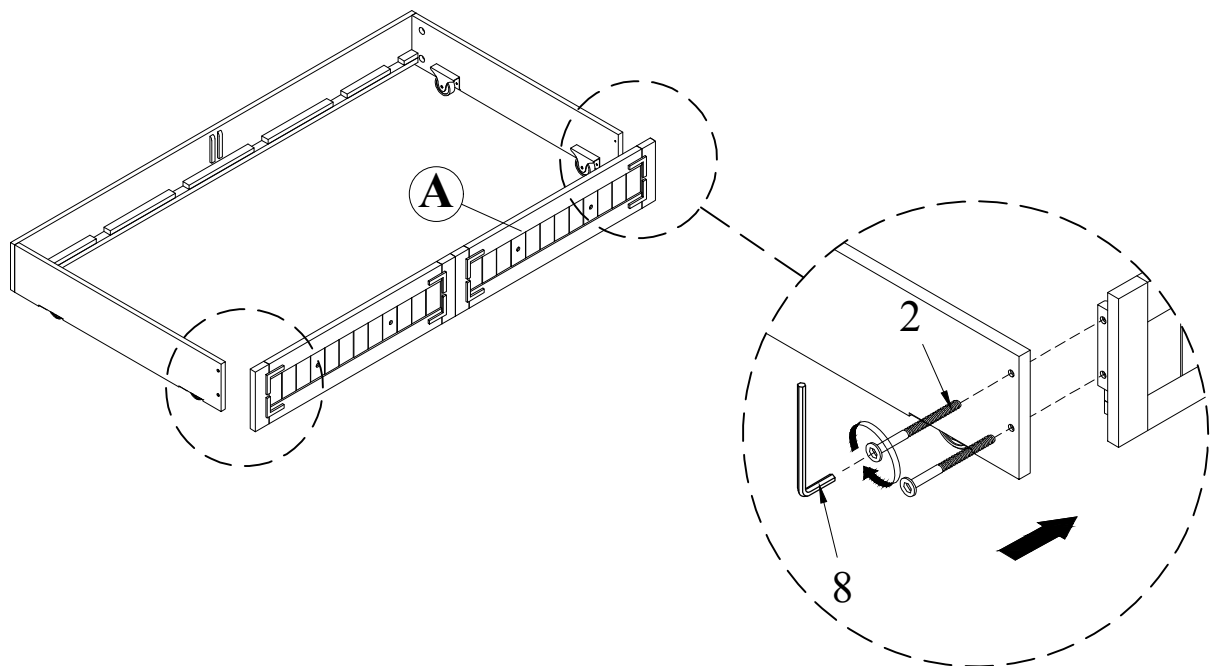
<b>1</b>	LONG BOLT		4 PCS	<b>6</b>	WOOD DOWEL		2 PCS
<b>2</b>	SHORT BOLT		4 PCS	<b>7</b>	SHORT SCREW		8 PCS
<b>3</b>	LONG SCREW		16 PCS	<b>8</b>	ALLEN WRENCH		1 PC
<b>4</b>	WOOD RAIL		2 PCS				
<b>5</b>	METAL HALF MOON WASHER		4 PCS				

**NOTE: PHILLIPS HEAD SCREW DRIVER IS REQUIRED IN THE ASSEMBLY PROCESS; HOWEVER, MANUFACTURER DOES NOT PROVIDE THIS ITEM.**

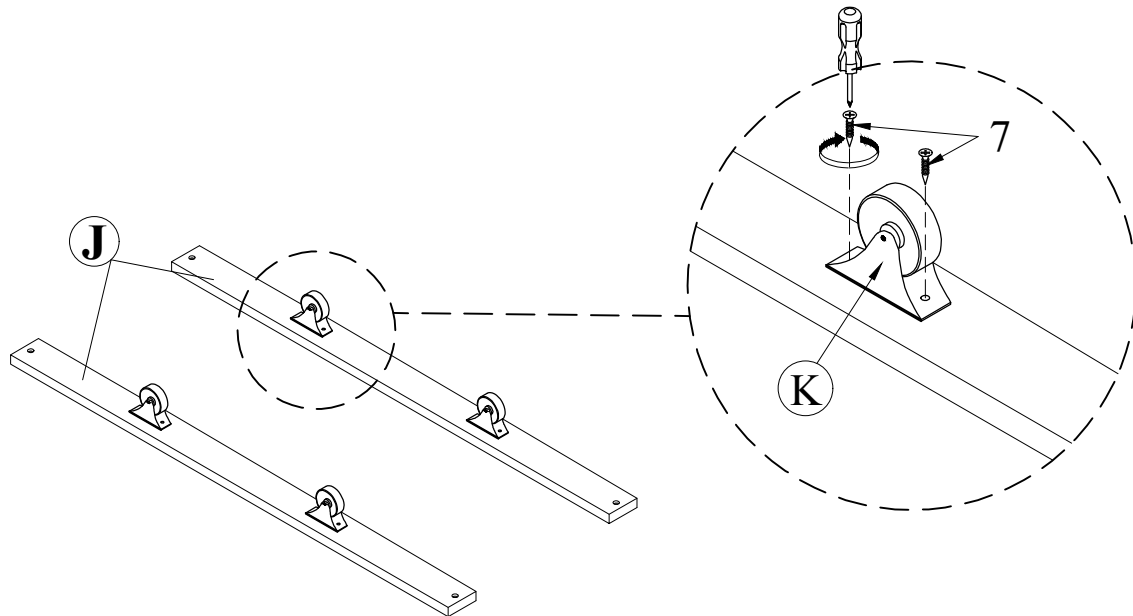
**STEP 1:**



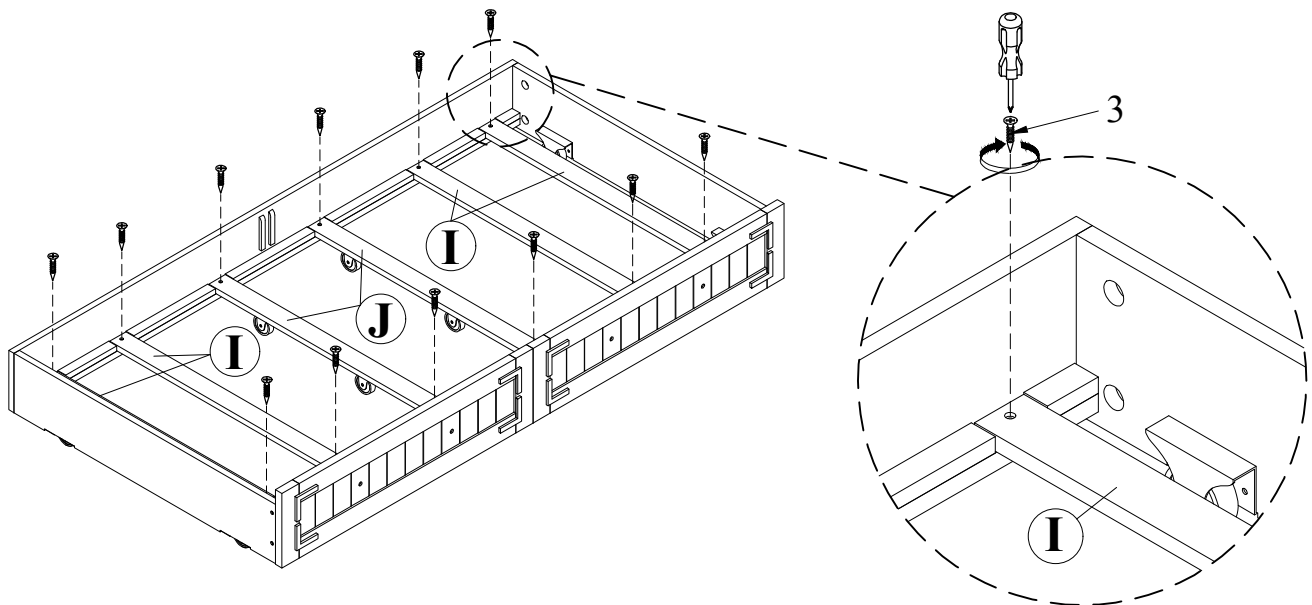
**STEP 2:**



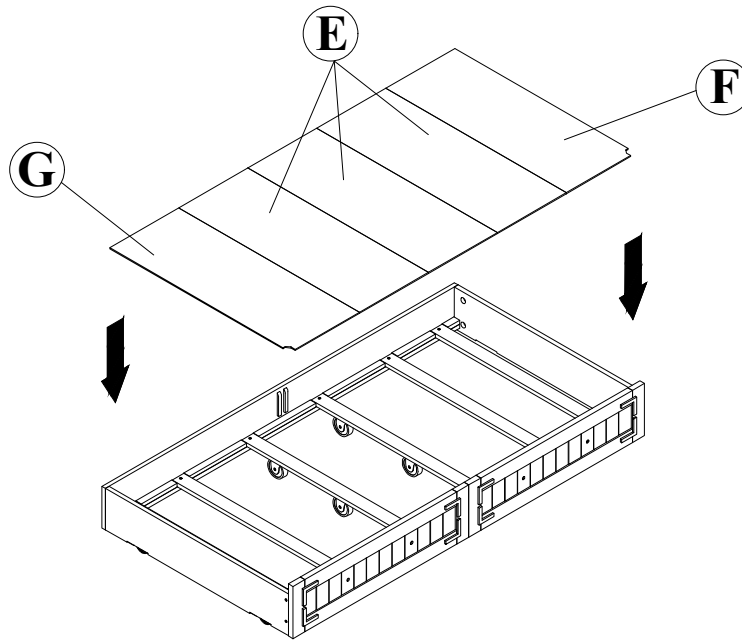
**STEP 3:**



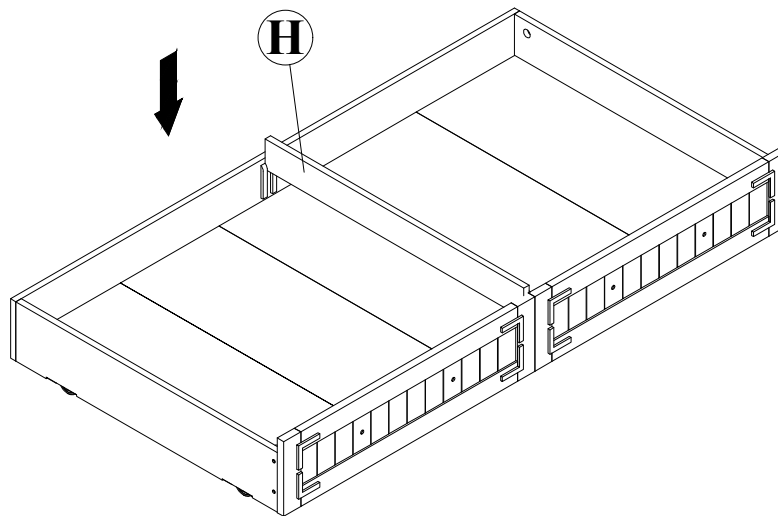
**STEP 4:**



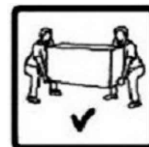
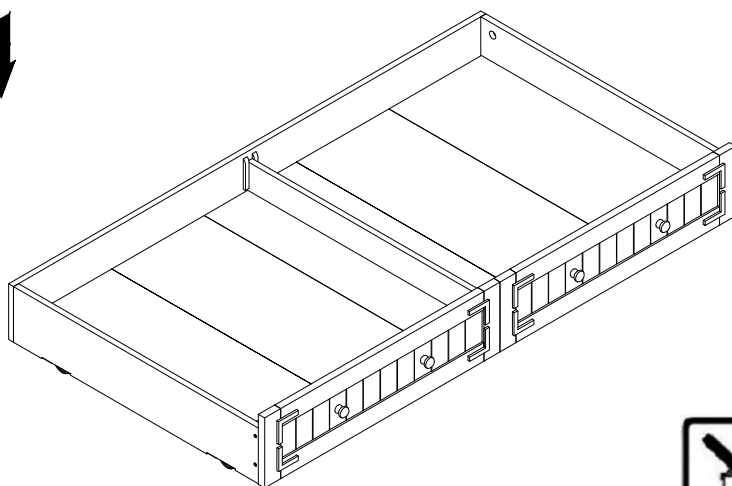
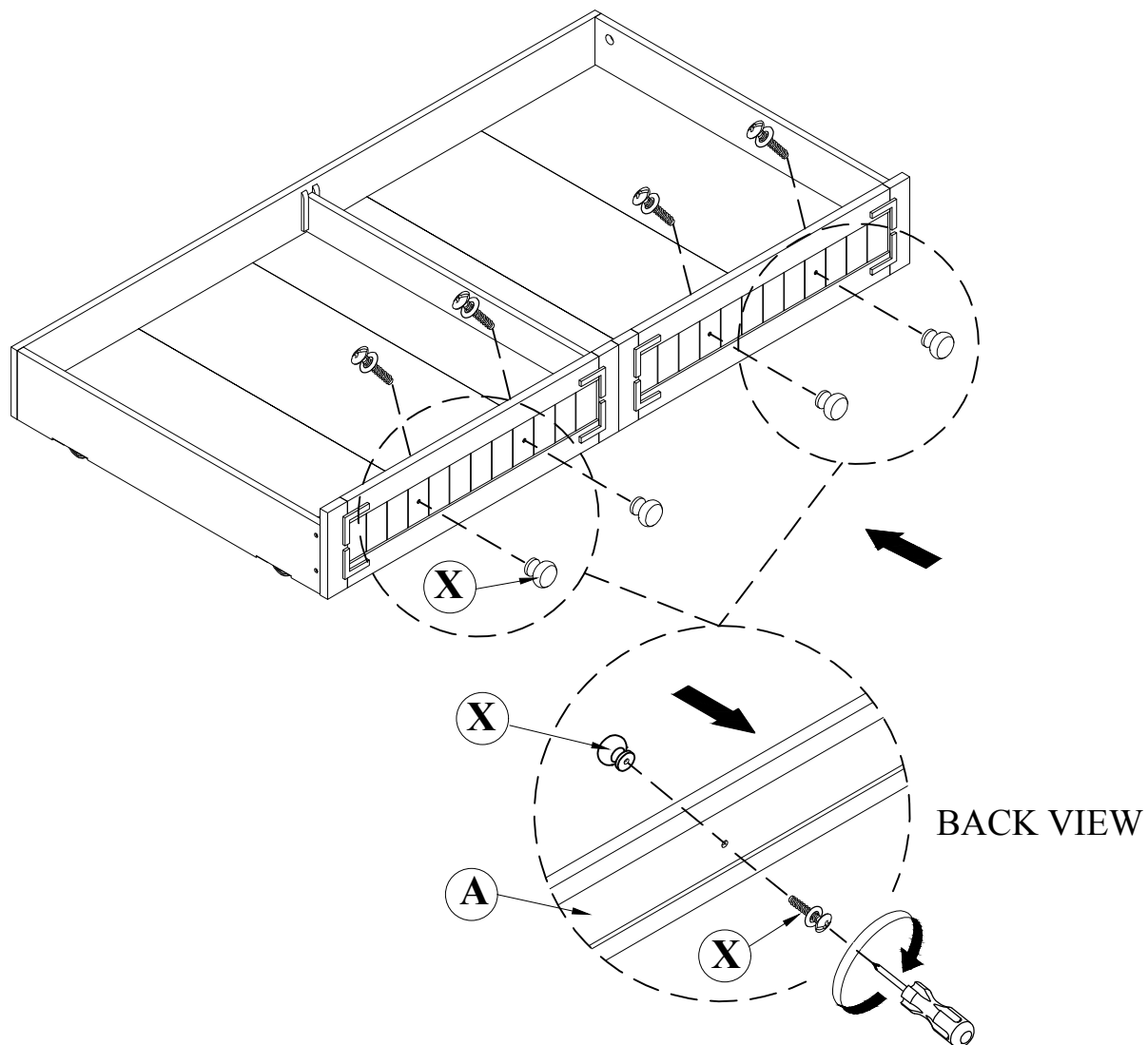
**STEP 5:**



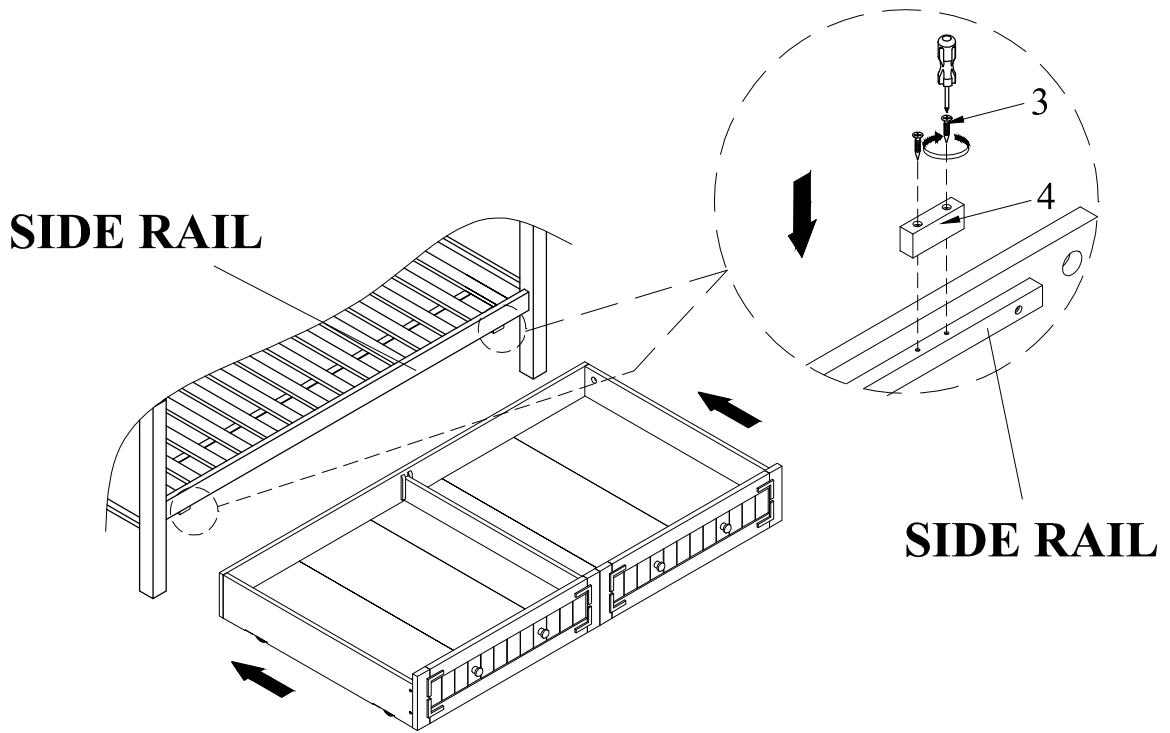
**STEP 6:**



**STEP 7:**



**STEP 8:**



**STEP 9:**

