

COASTER[®]
Fine Furniture

650180
SECTIONAL

ASSEMBLY INSTRUCTION
COASTER FINE FURNITURE



www.coastercompany.com

ITEM : 650180B1(LAF POWER RECLINER) ASSEMBLY INSTRUCTION

ASSEMBLY INSTRUCTION

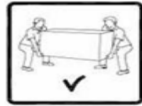
ASSEMBLY TIPS:

1. Remove hardware from box and sort by size
2. Please check to see that all hardware and parts are present prior to start of assembly.
3. Please follow attached instruction in the same sequence as numbered to assure fast & easy assembly.



Warning!

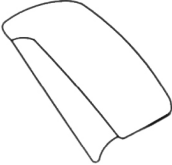
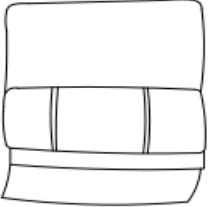
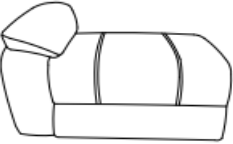

1. Don't attempt to repair or modify parts that are broken or defective. Please contact the store immediately.
2. This product is for home use only and not intended for commercial establishment.



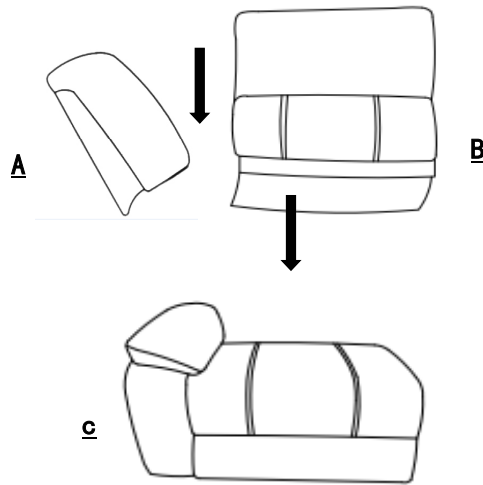
ASSEMBLY TIME PER UNIT :

5 MINUTES

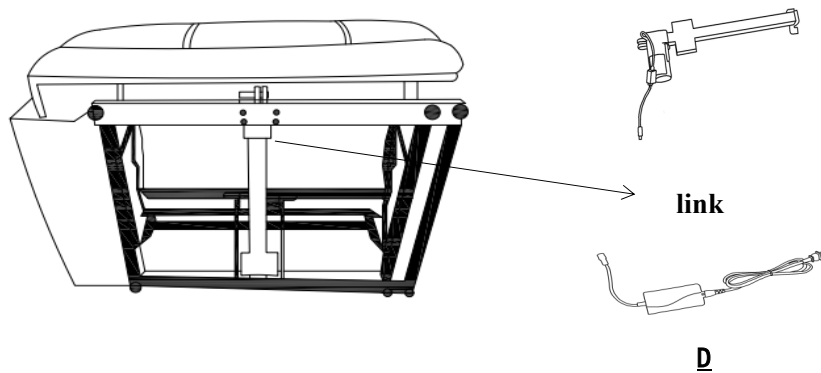
PARTS IDENTIFICATION

- | | | |
|----------|---|------------------------------------|
| A |  | LAF POWER RECLINER EAR <u>1PC</u> |
| B |  | LAF POWER RECLINER BACK <u>1PC</u> |
| C |  | LAF POWER RECLINER BASE <u>1PC</u> |
| D |  | POWER BOX <u>1PC</u> |

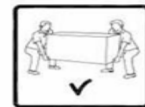
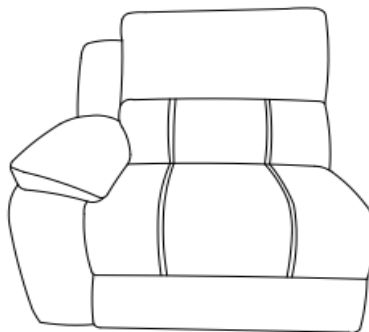
STEP 1



STEP 2



STEP 3



ASSEMBLY INSTRUCTION

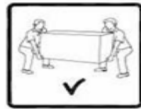
ASSEMBLY TIPS:

1. Remove hardware from box and sort by size
2. Please check to see that all hardware and parts are present prior to start of assembly.
3. Please follow attached instruction in the same sequence as numbered to assure fast & easy assembly.



Warning!

1. Don't attempt to repair or modify parts that are broken or defective. Please contact the store immediately.
2. This product is for home use only and not intended for commercial establishment.

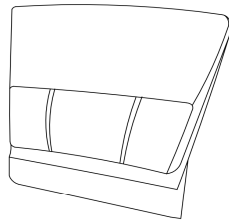


ASSEMBLY TIME PER UNIT :

5 MINUTES

PARTS IDENTIFICATION

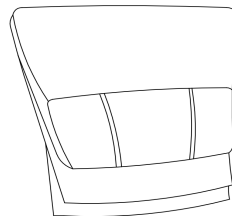
E



WEDGE RIGHT BACK

1PC

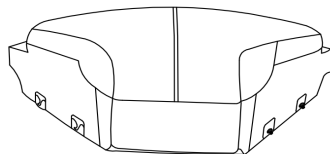
F



WEDGE LEFT BACK

1PC

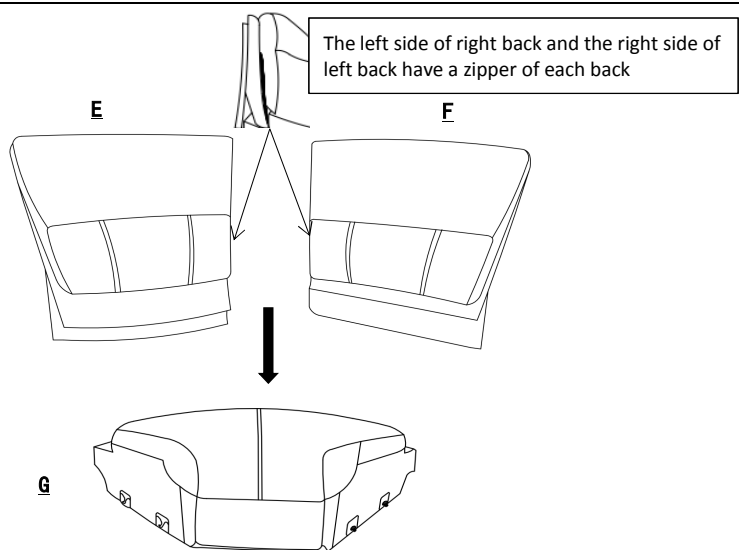
G



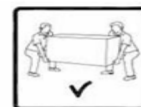
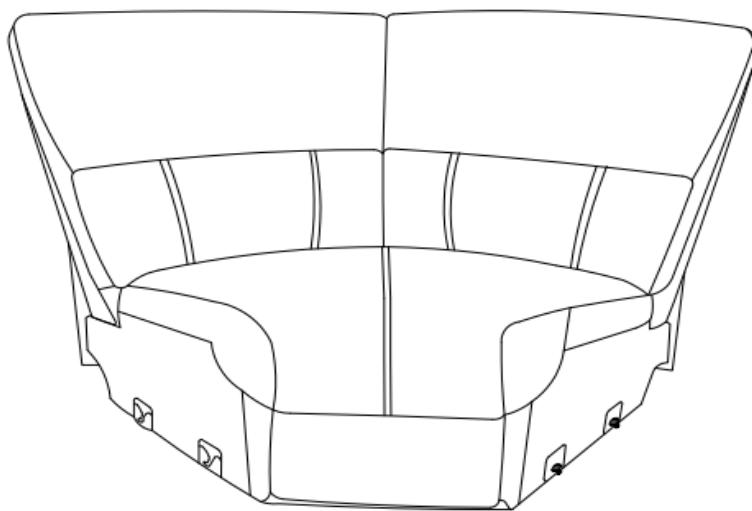
WEDGE BASE

1PC

STEP 1



STEP 2



ASSEMBLY INSTRUCTION

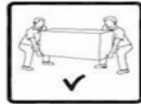
ASSEMBLY TIPS:

1. Remove hardware from box and sort by size
2. Please check to see that all hardware and parts are present prior to start of assembly.
3. Please follow attached instruction in the same sequence as numbered to assure fast & easy assembly.



Warning!

1. Don't attempt to repair or modify parts that are broken or defective. Please contact the store immediately.
2. This product is for home use only and not intended for commercial establishment.

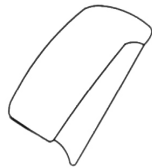


ASSEMBLY TIME PER UNIT :

5 MINUTES

PARTS IDENTIFICATION

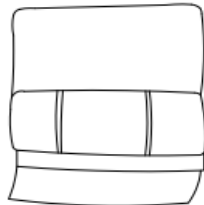
H



RAF POWER RECLINER EAR

1PC

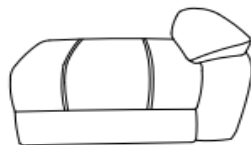
I



RAF POWER RECLINER BACK

1PC

J



RAF POWER RECLINER BASE

1PC

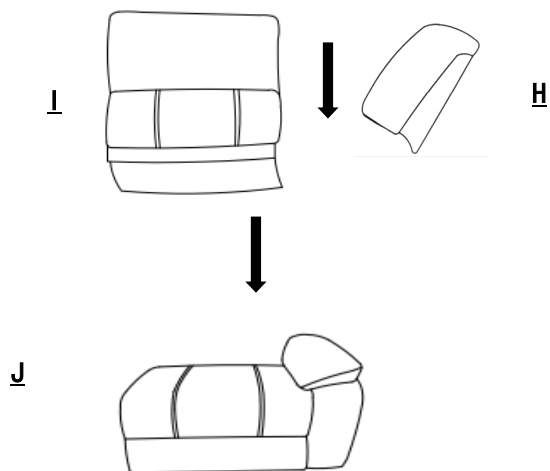
D



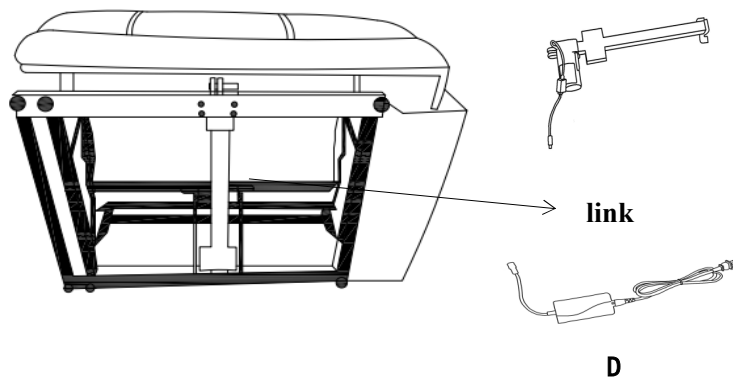
POWER BOX

1PC

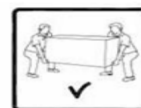
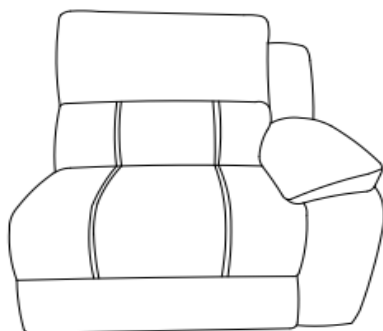
STEP 1



STEP 2



STEP 3



ASSEMBLY INSTRUCTION

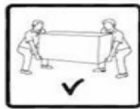
ASSEMBLY TIPS:

1. Remove hardware from box and sort by size
2. Please check to see that all hardware and parts are present prior to start of assembly.
3. Please follow attached instruction in the same sequence as numbered to assure fast & easy assembly.



Warning!

1. Don't attempt to repair or modify parts that are broken or defective. Please contact the store immediately.
2. This product is for home use only and not intended for commercial establishment.

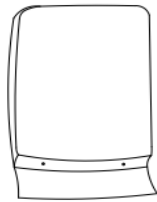


ASSEMBLY TIME PER UNIT :

5 MINUTES

PARTS IDENTIFICATION

K



CONSOLE BACK

1PC


L



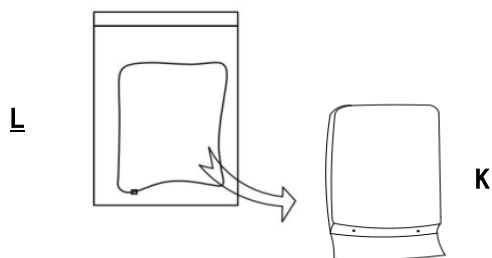
CONSOLE BASE

1PC

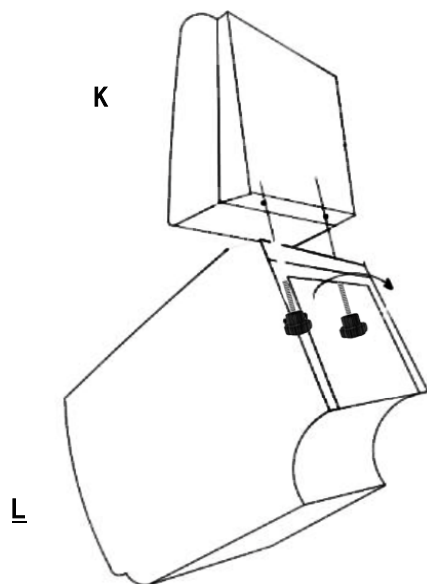
HARDWARE

NO	DESCRIPTION	FIGURE	QTY
1	SCREW FOR BACK		2

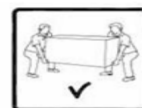
STEP 1



STEP 2



STEP 3



ASSEMBLY INSTRUCTION

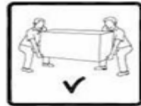
ASSEMBLY TIPS:

1. Remove hardware from box and sort by size
2. Please check to see that all hardware and parts are present prior to start of assembly.
3. Please follow attached instruction in the same sequence as numbered to assure fast & easy assembly.



Warning!

1. Don't attempt to repair or modify parts that are broken or defective. Please contact the store immediately.
2. This product is for home use only and not intended for commercial establishment.

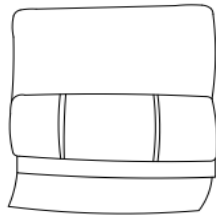


ASSEMBLY TIME PER UNIT :

5 MINUTES

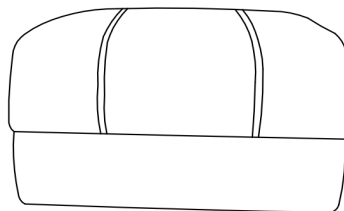
PARTS IDENTIFICATION

M



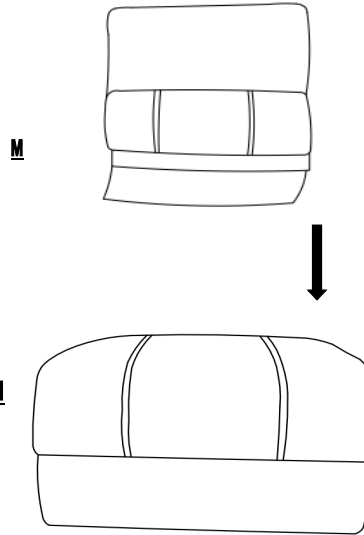
ARMLESS CHAIR BACK 1PC

N

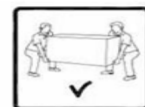
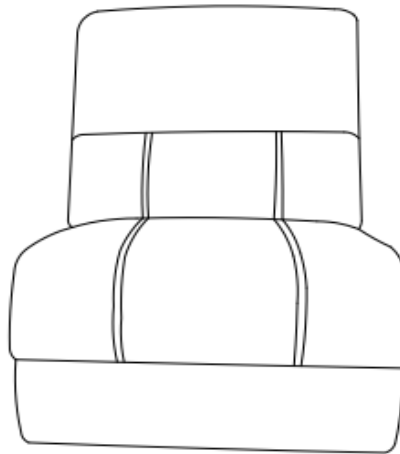


ARMLESS CHAIR BASE 1PC

STEP 1



STEP 2



ASSEMBLY INSTRUCTION

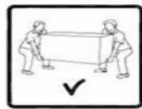
ASSEMBLY TIPS:

1. Remove hardware from box and sort by size
2. Please check to see that all hardware and parts are present prior to start of assembly.
3. Please follow attached instruction in the same sequence as numbered to assure fast & easy assembly.



Warning!

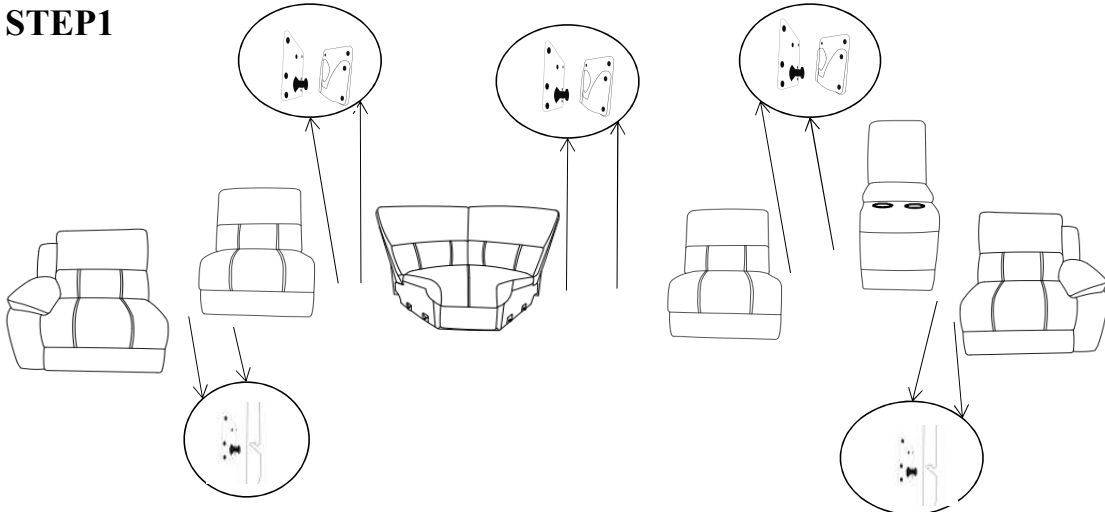
1. Don't attempt to repair or modify parts that are broken or defective. Please contact the store immediately.
2. This product is for home use only and not intended for commercial establishment.



ASSEMBLY TIME PER UNIT :

15 MINUTES

STEP1



STEP2

