

ASSEMBLY INSTRUCTION
COASTER FINE FURNITURE



www.coastercompany.com

ASSEMBLY INSTRUCTION

ASSEMBLY TIPS:

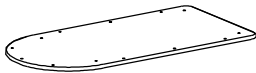
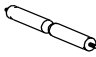




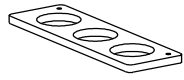
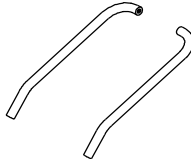
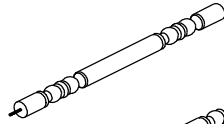

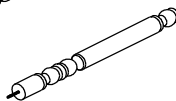

- 1.Remove hardware from box and sort by size.
- 2.Please check to see that all hardware and parts are present prior to start of assembly.
- 3.Please follow attached instructions in the same sequence as numbered to assure fast & easy assembly.



Warning!!





- 1.Don't attempt to repair or modify parts that are broken or defective.Please contact the store immediately.
- 2.This product is for home use only and not intended for commercial establishment.

PARTS IDENTIFICATION:

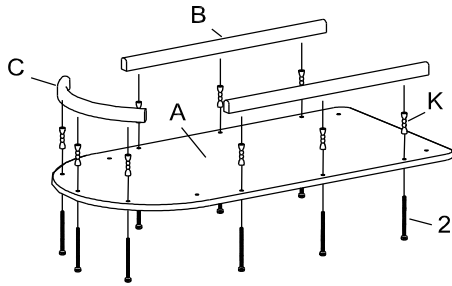
(A) TOP & BOTTON PANEL		2PCS	(G) HANDLE		1PC
(B) BRACES		4PCS	(H) LEG		4PCS
(C) FRONT CROSSBAND		2PCS	(I) POST		2PCS
(D) SHELF PANEL		1PC	(J) LEFT & RIGHT		R,Lx1
(E) LONG POST		2PCS	(K) PLASTIC DECORATION		18PCS
(F) SHORT POST		2PCS	(L) CROWN MOULDING		2PCS

Z

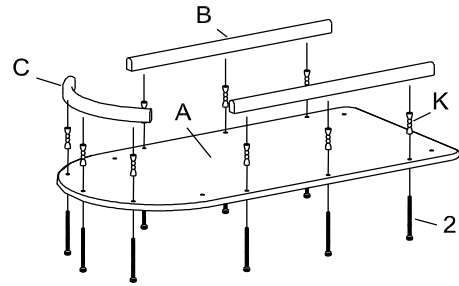
HARDWARE PACKAGE

NO	DESCRIPTION	FIGURE	Q'TY
1	WASHER 1/4"x19mm		2PCS
2	BOLT 3/16"x2"		18PCS
3	CASTER ø40mm		4PCS
4	BOX WRENCH 60mm		1PC

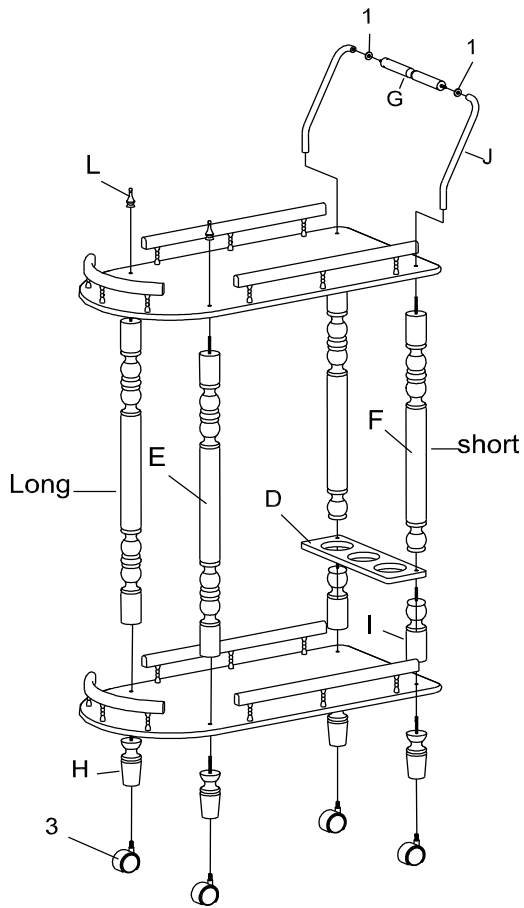
STEP 1 (TOP)
STEP



STEP 2 (BOTTON)
STEP



STEP 3



FINISH

