

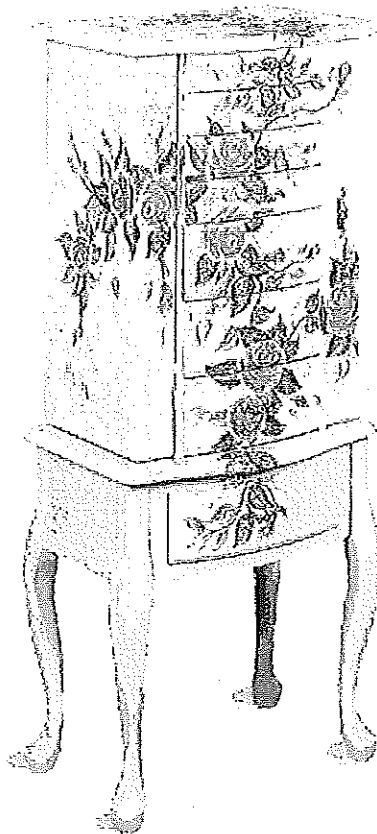
**COASTER**  
*Fine Furniture*

**4021**

**JEWELRY ARMOIRE**

---

**ASSEMBLY INSTRUCTIONS**  
**COASTER FINE FURNITURE**



**[www.coastercompany.com](http://www.coastercompany.com)**

**ASSEMBLY TIPS**

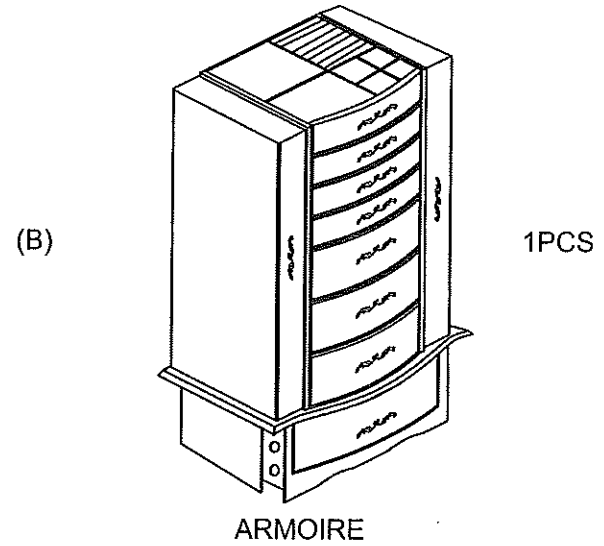
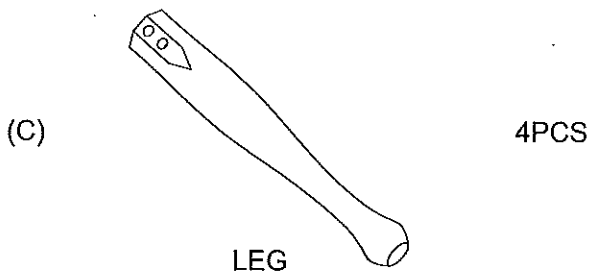
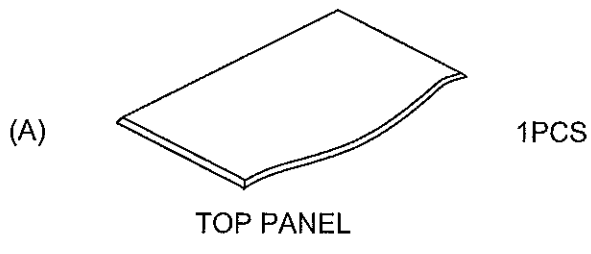
- 1.Remove hardware from box and sort by size.
- 2.Please check to see that all hardware and parts are present prior to start of assembly.
- 3.Please follow attached instructions in the same sequence as numbered to assure fast & easy assembly.



**Warning !**

- 1.Don't attempt to repair or modify parts that are broken or defective.please contact the store immediately.
- 2.This product is for home use only and not intended for commercial establishment.

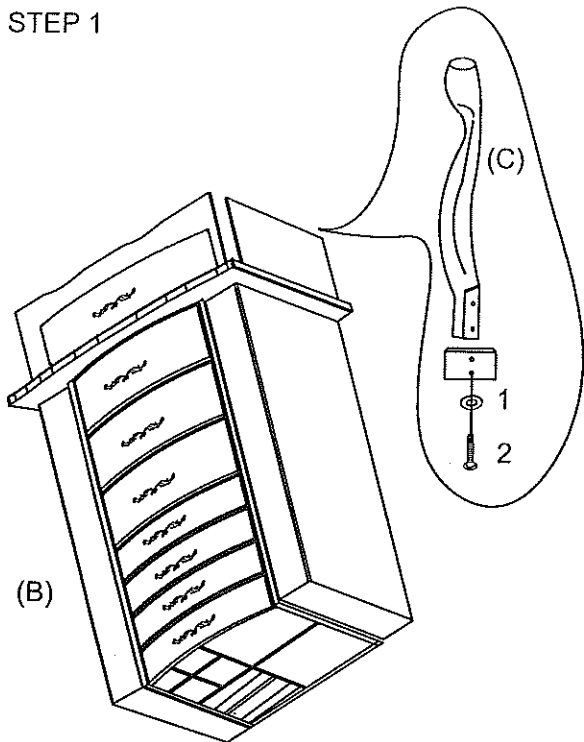
**PARTS IDENTIFICATION**



(Z) **HARDWARE PACKAGE**

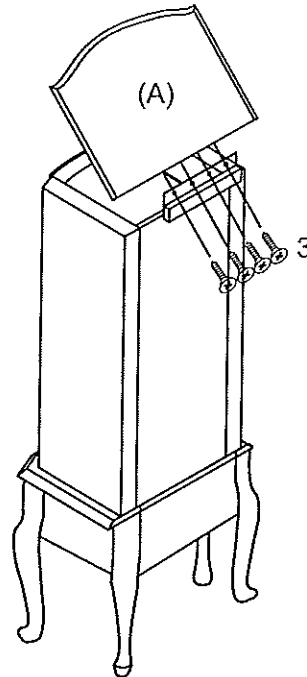
1	WASHER		Ø1/4"*16mm	8PCS
2	SCREWS		Ø1/4"*1-1/2"	8PCS
3	WOOD SCREWS-MEDIUM		Ø3*14mm	4PCS
4	ANGLE IRON		19*19*18mm	2PCS
5	WOOD SCREW-LARGE		Ø8*30mm	1PCS
6	WOOD SCREW-SMALL		Ø6*10mm	1PCS
7	PLUG		29mm	1PCS
8	CABLE TIE		295mm	1PCS

STEP 1



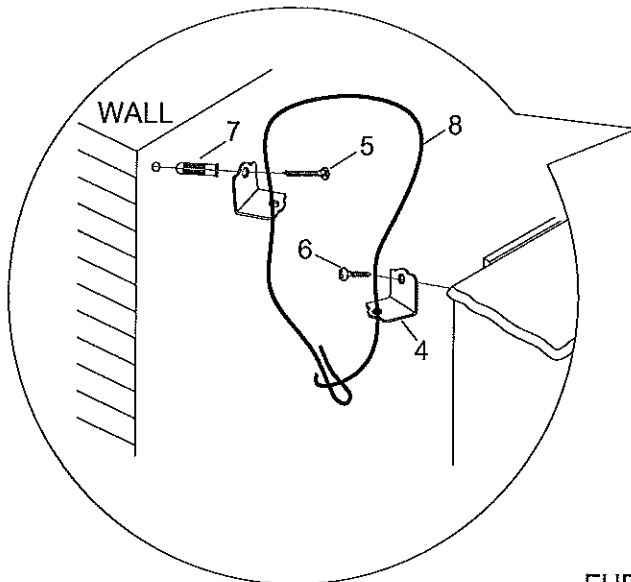
Place armoire(B) lay down and attach four legs(C) to armoire by using screws(2) and washers(1).

STEP 2

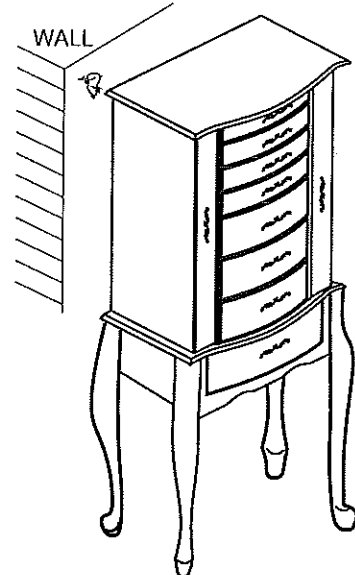


Attach the top panel(A) to armoire(B) with wood screws(3).

STEP 3



**ATTENTION:** Anti tipping safeguard  
Please install the Anti tipping hardware as shown in the drawing - this can help to prevent any tipping issues.



**FURNITURE TIPPING RESTRAINT**

**WARNING**

**Injury may result from tipping furniture**  
This restraint is not a substitute for proper adult supervision.  
This restraint may provide protection against tipping furniture.  
Do not allow children to climb on furniture.  
Failure to detach this restraint before moving furniture may result in injury and damage.