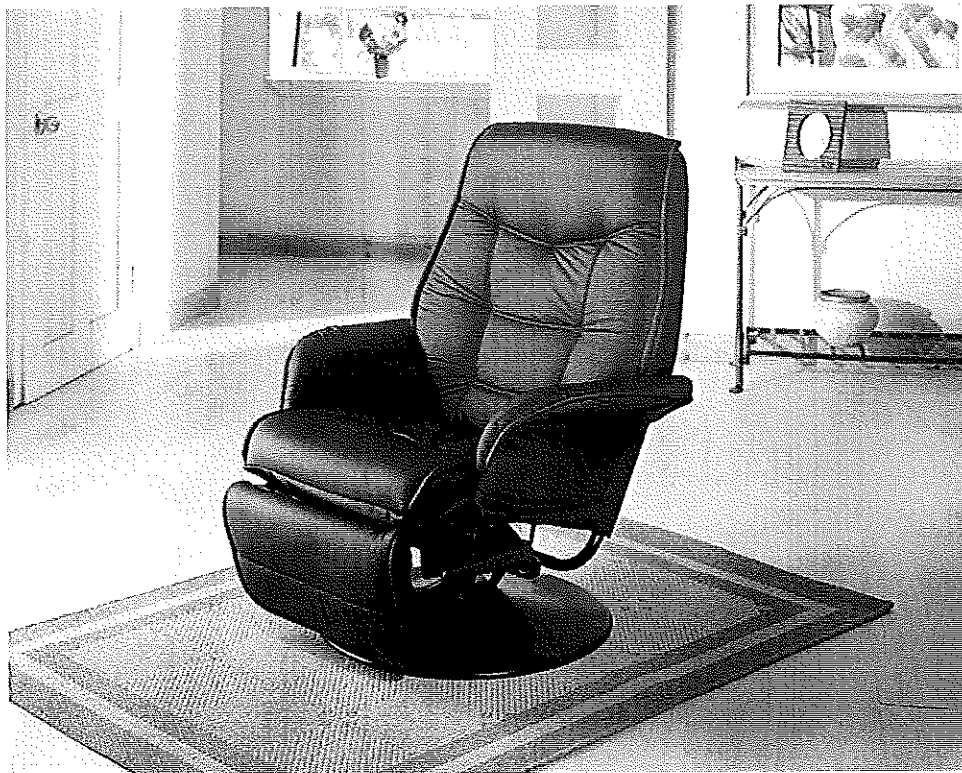


COASTER® 7501
FINE FURNITURE BLACK RECLINER CHAIR

ASSEMBLY INSTRUCTIONS
COASTER FINE FURNITURE



www.coastercompany.com

Assembly Instruction

ASSEMBLY TIPS:


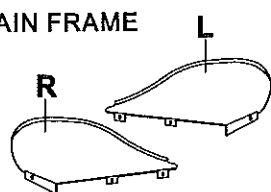


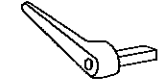

1. Remove hardware from box and sort by size.
2. Please check to see that all hardware and parts are present prior to start of assembly.
3. Please follow attached instructions in the same sequence as numbered to assure fast & easy assembly.





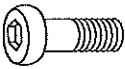

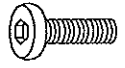
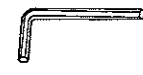
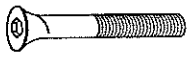


Warning !

1. Don't attempt to repair or modify parts that are broken or defective. Please contact the store immediately.
2. This product is for home use only and not intended for commercial establishment.

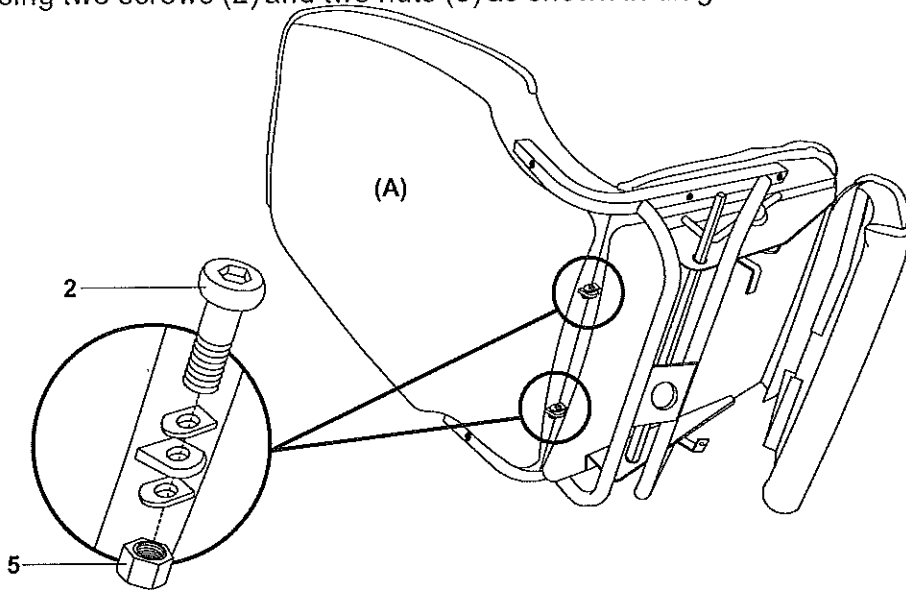
PARTS IDENTIFICATION

- (A)  1 PC
- (B)  2 PCS (R&L)
MAIN FRAME
- (C)  1 PC
ARMREST
- (D)  1 PC
BASE
- (E)  1 PC
SUPPORT
- (E)  1 PC
HANDLE

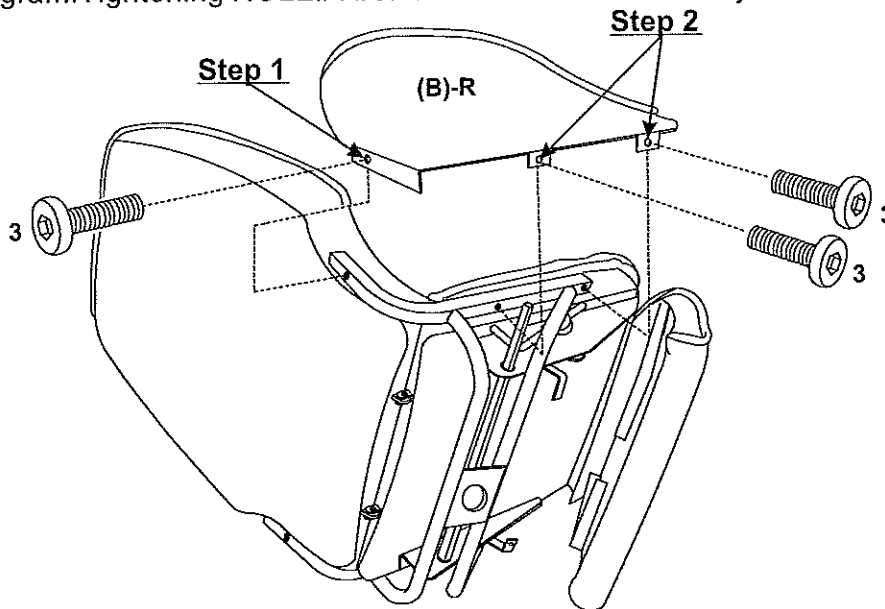
HARDWARE PACKAGE

1		1 PC	7		1 PC
	PLASTIC CAP			WRENCH	
2		2 PCS	8		1 PC
	M8 x 23mm			M6	
	SCREW			ALLEN DRIVER	
3		6 PCS	9		1 PC
	M6 x 20mm			M4	
	SCREW			ALLEN DRIVER	
4		1 PC			
	M6 x 38mm				
	SCREW				
5		2 PCS			
	M8				
	NUT				
6		1 PC			
	WASHER				

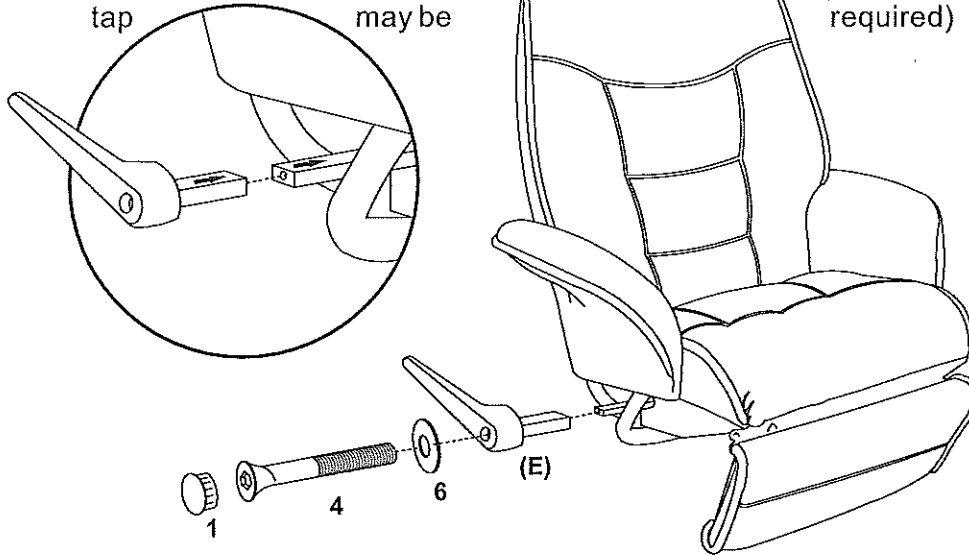
STEP 1 Fasten together the brackets at the rear of the seat and the bottom of the back using two screws (2) and two nuts (5) as shown in diagram.



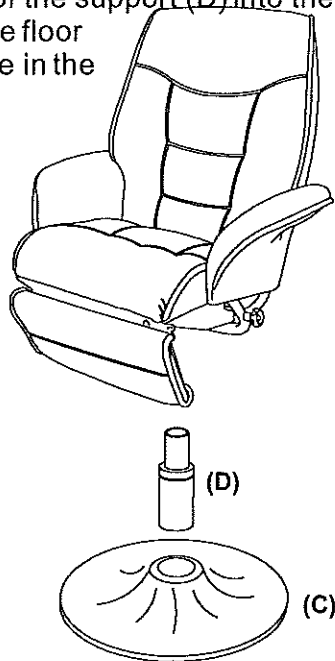
STEP 2 Fasten left and right arms to each side using three screws (3) as shown in the diagram. Tightening HOLE#1 before HOLE #2 to each the job.



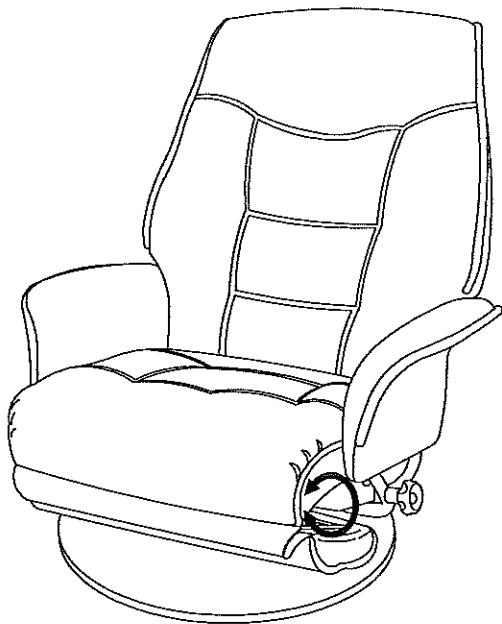
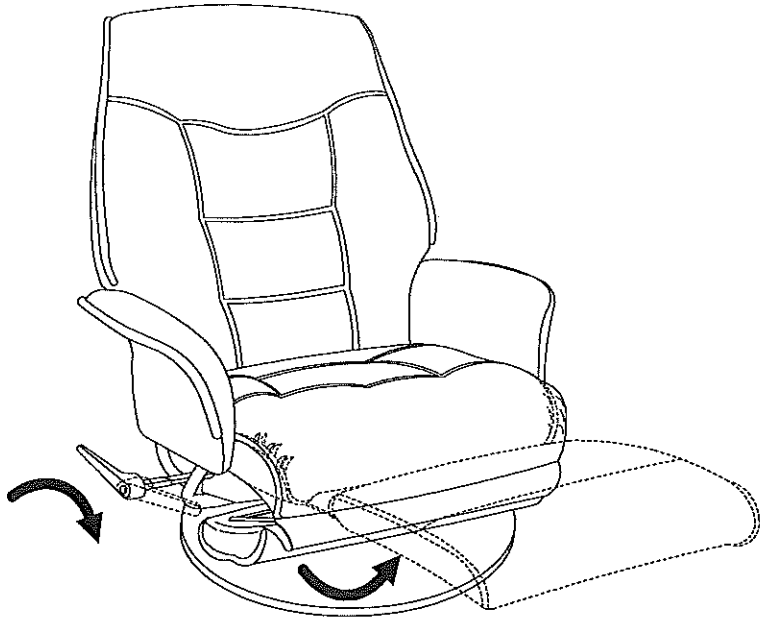
STEP 3 Attach the handle (E) by sliding onto the end of square rod. Secure using the long screw (4) and washer (6) as shown in the diagram. When fully tightened push the plastic cap tap (1) into the hole. (A gentle force may be required)



STEP 4 Firmly push small end of the support (D) into the hole in the seat frame underside. With the base (C) on the floor lower the other end of the base. Press down.



To open the footrest turn the handle in the direction shown. To close the footrest reverse the procedure.



To lock the recliner in any reclining position, while sitting in the recliner, push the backrest to the desired position and turn the locking wheel on the left side.