

COASTER. 100224
FINE FURNITURE

HANDPAINT BENCH W/ARMS
ASSEMBLY INSTRUCTION
COASTER FINE FURNITURE



www.coastercompany.com

Assembly Instruction



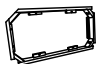
Assembly Tips:

1. Remove hardware from box and sort by size.
2. Please check to see that all hardware and parts are present prior to start of assembly.
3. Please follow attached instructions in the same sequence as numbered to assure fast & easy assembly.






▲ Warning!

1. Don't attempt to repair or modify parts that are broken or defective .Please contact the store immediately.
2. This product is for home use only and not intended for commercial establishment.

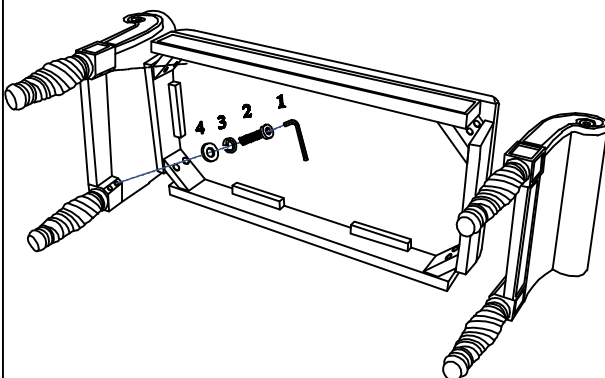
PARTS IDENTIFICATION:

- | | | | |
|---|--------------|---|------|
| A | ARM |  | 2PCS |
| B | SEAT CUSHION |  | 1PC |
| C | SEAT FRAME |  | 1PC |

Z HARDWARE IDENTIFICATION

NO	DESCRIPTION	FIGURE	Q'TY
1	ALLEN KEY		1 PC
2	BOLT		8 PCS
3	SPRING WASHER		8 PCS
4	FLAT WASHER		8 PCS
5	SCREW		4 PCS

STEP 1



STEP 2

