

**COASTER**®  
FINE FURNITURE

**101562**

**DINING CHAIR WITH CUSHION SEAT**

---

**ASSEMBLY INSTRUCTIONS**

**COASTER FINE FURNITURE**



[www.coastercompany.com](http://www.coastercompany.com)

**PAGE 1 OF 3**

REVISION 0 : 10/10/2009

REVISION 1 : 10/25/2010

REVISION 2 : 02/16/2012

**ASSEMBLY TIPS:**

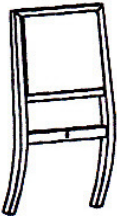
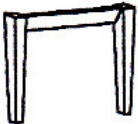

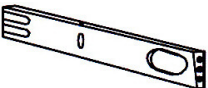

1. Remove hardware from box and sort by size
2. Please check to see that all hardware and parts are present prior start of assembly.
3. Please follow attached instruction in the same sequence as numbered to assure fast & easy assembly.







**Warning!**

1. Don't attempt to repair or modify parts that are broken or defective. Please contact the store immediately.
2. This product is for home use only and not intended for commercial establishment

**PARTS IDENTIFICATION**

<b>A</b>		CHAIR BACK	2PCS
<b>B</b>		FRONT LEG FRAME	2PCS
<b>C</b>		LEFT SIDE RAIL	2PCS
<b>D</b>		RIGHT SIDE RAIL	2PCS
<b>E</b>		CUSHION SEAT	2PCS

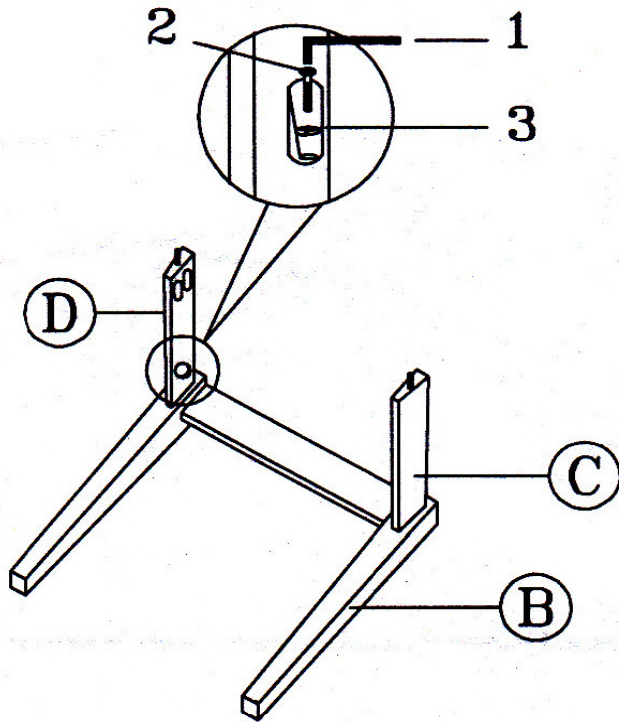
**HARDWARE IDENTIFICATION**

<b>1</b>		ALLEN WRENCH	1PC
<b>2</b>		BOLT	12PCS
<b>3</b>		NYLON WASHER	12PCS
<b>4</b>		SCREW	8PCS

**NOTE : QUANTITIES SHOWN ARE FOR TWO CHAIRS**

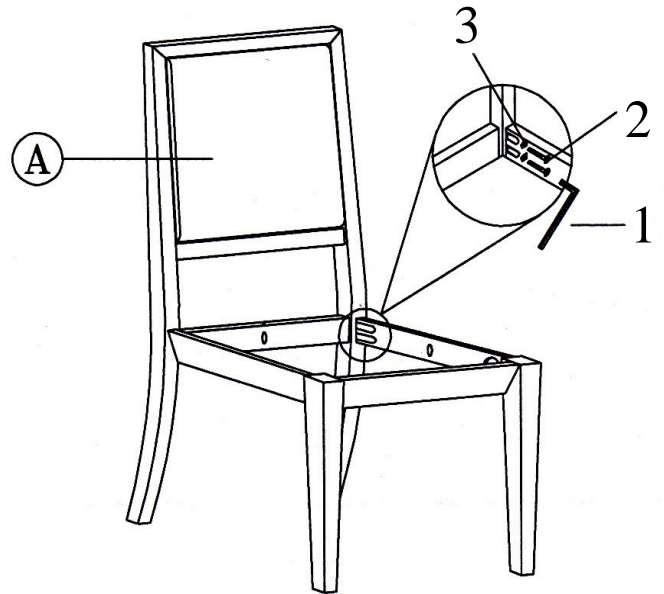
**STEP 1**

Align and fasten left & right side rails to front leg frame using bolt, nylon washer and tighten with Allen wrench.



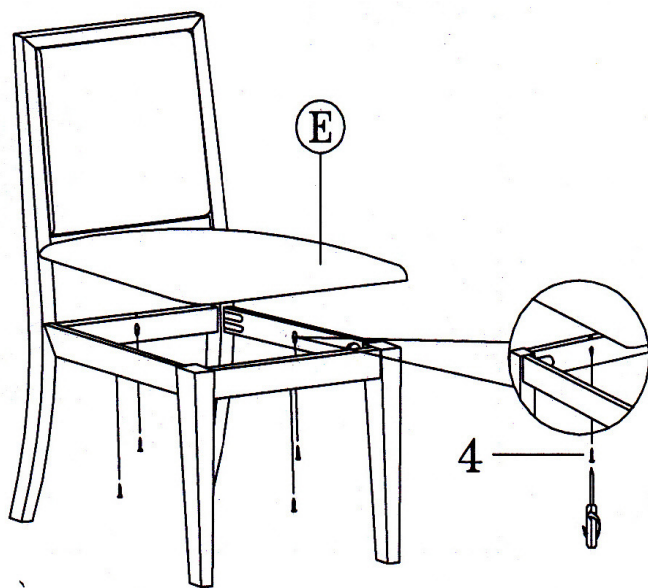
**STEP 2**

Align and fasten side rail to chair back using bolt and nylon washer and tighten with Allen wrench.



**STEP 3**

Align and fasten cushion seat to the side, front and back rails using screw and tighten with screw driver ( Not included).



**STEP 4**

Complete.

