

COASTER®
Fine Furniture

102062

DINING CHAIR

ASSEMBLY INSTRUCTION
COASTER FINE FURNITURE



www.coastercompany.com

Assembly Instruction

ASSEMBLY TIPS:

1. Remove hardware from box and sort by size.
2. please check to see that all hardware and parts are present prior to start of assembly.
3. please follow attached Instructions in the same sequence as numbered to assure fast & easy assembly.





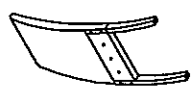

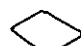
Warning I








1. Don't attempt to repair or modify parts that are broken or defective. please contact the store immediately.
2. This product is for home use only and not intended for commercial establishment.

PARTS IDENTIFICATION:

Z

HARDWARE PACKAGE:

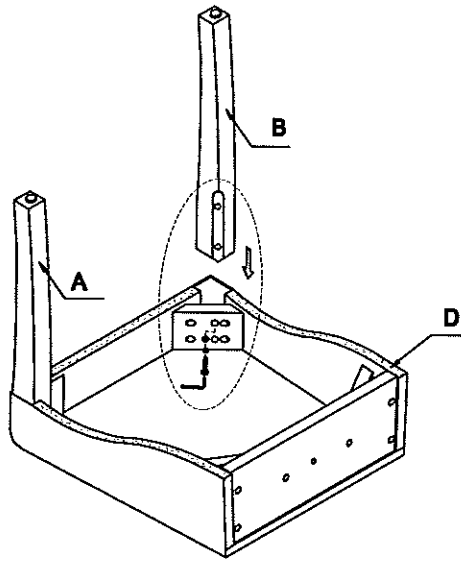
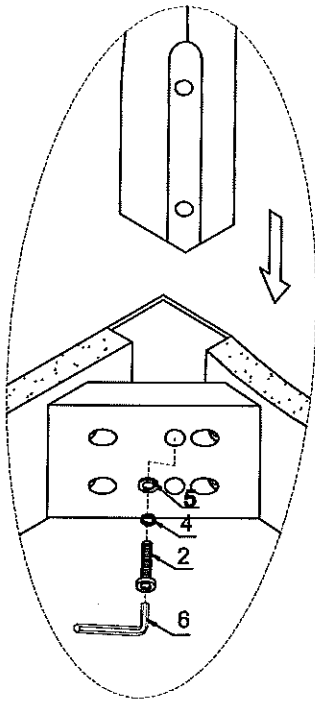
- A FRONT RIGHT LEG  2 PCS
- B FRONT LEFT LEG  2 PCS
- C BACK PANEL  2 PCS
- D CUSHION  2 PCS
- E DUST COVER  2 PCS

NO	DESCRIPTION	FIGURE	QTY
1	BOLT-SMALL		4 PCS
2	BOLT-MIDDLE		8 PCS
3	BOLT-LARGE		8 PCS
4	LOCK WASHER		20 PCS
5	FLAT WASHER		20 PCS
6	ALLEN WRENCH		1 PC
7	WOODEN DOWEL		2 PCS

Assembly Instruction

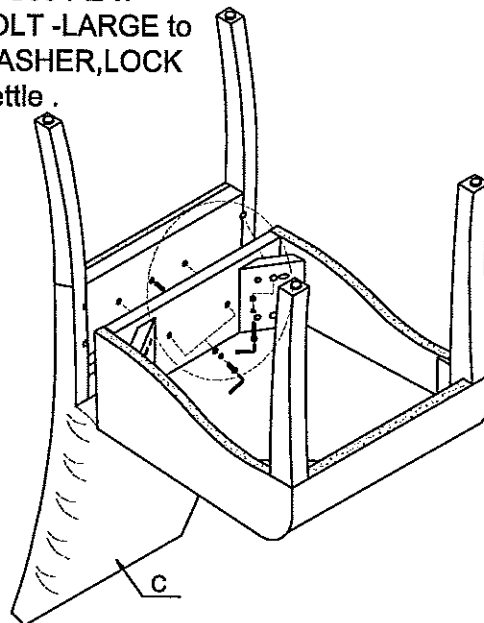
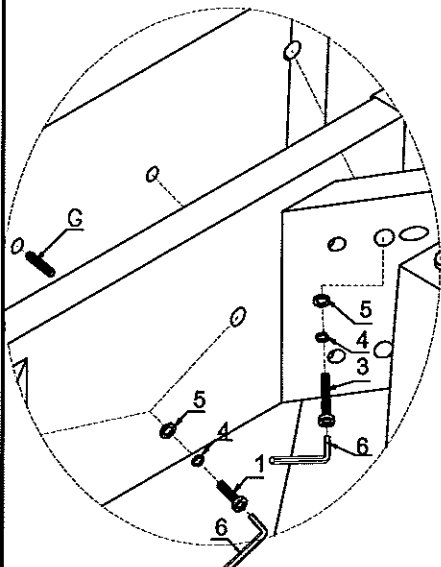
STEP 1

Place the FRONT RIGHT LEG/Front LEFT LEG on CUSHION and fasten by FLAT WASHER, LOCK WASHER and BOLT-MIDDLE and tighten by ALLEN WRENCH.



STEP 2

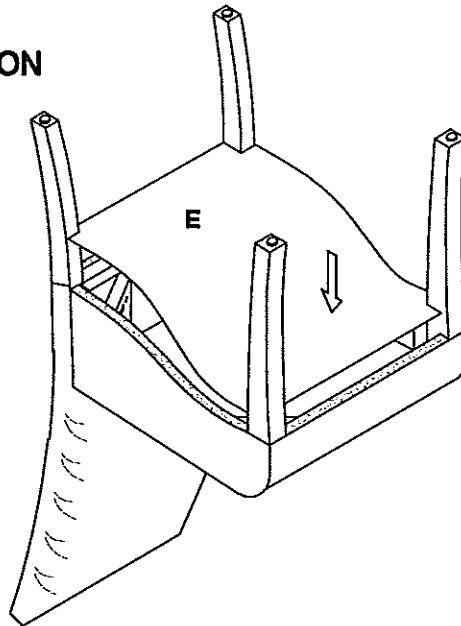
Place the BACK PANEL on CUSHION frame. Place the WOODEN DOWEL for firm-up. Use FLAT WASHER, LOCK WASHER and BOLT -LARGE to fix on the corner. and use FLAT WASHER, LOCK WASHER and BOLT -SMALL to settle .



Assembly Instruction

STEP 3

Set the **DUST COVER**
underneath the **CUSHION**



STEP 4

Assembly Complete

