

COASTER[®]
FINE FURNITURE

102172

DINING CHAIR WITH PU SEAT

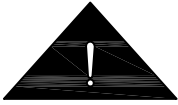
ASSEMBLY INSTRUCTIONS
COASTER FINE FURNITURE



www.coastercompany.com

ASSEMBLY TIPS:

1. Remove hardware from box and sort by size.
2. Please check to see that all hardware and parts are present prior start of assembly.
3. Please follow attached instructions in the same sequence as numbered to assure fast and easy assembly.

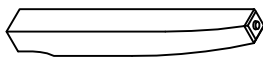


Warning!

1. Don't attempt to repair or modify parts that are broken or defective. Please contact the store immediately.
2. This product is for home use only and not intended for commercial establishment.

PARTS IDENTIFICATION

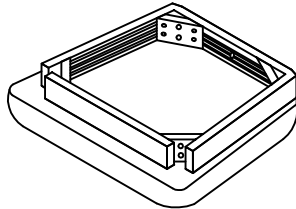
A



FRONT LEG

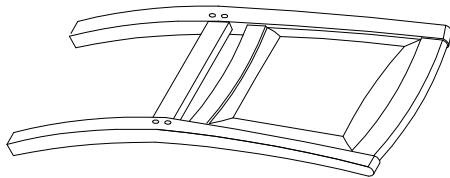
4PCS

B



CUSHION SEAT WITH FRAME 2PCS

C



CHAIR BACK

2PCS

HARDWARE IDENTIFICATION

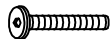
1



SHORT BOLT

2PCS

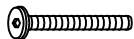
2



MEDIUM BOLT

8PCS

3



LONG BOLT

8PCS

4



LOCK WASHER

18PCS

5



FLAT WASHER

18PCS

6



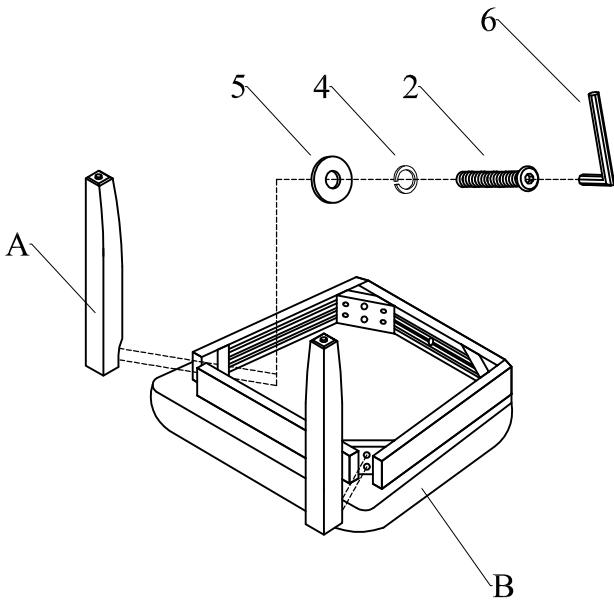
ALLEN WRENCH

1PC

NOTE : QUANTITIES SHOWN ARE FOR TWO CHAIRS

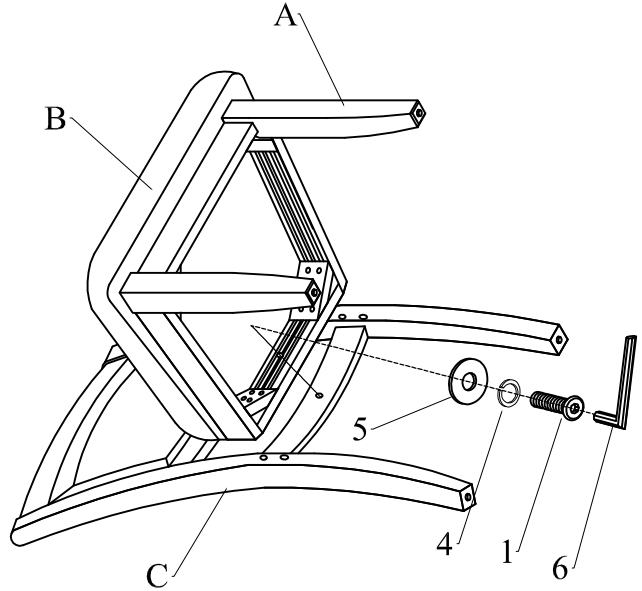
STEP 1:

Align and fasten front leg to cushion seat using medium bolt, lock washer and flat washer and tighten with Allen wrench.



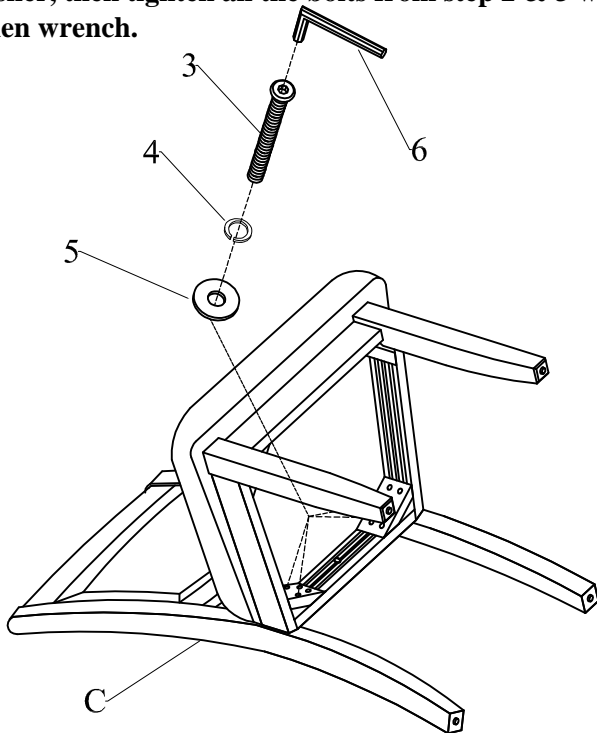
STEP 2:

Align and hand tighten cushion seat with frame to chair back bottom rail using short bolt, lock washer and flat washer.



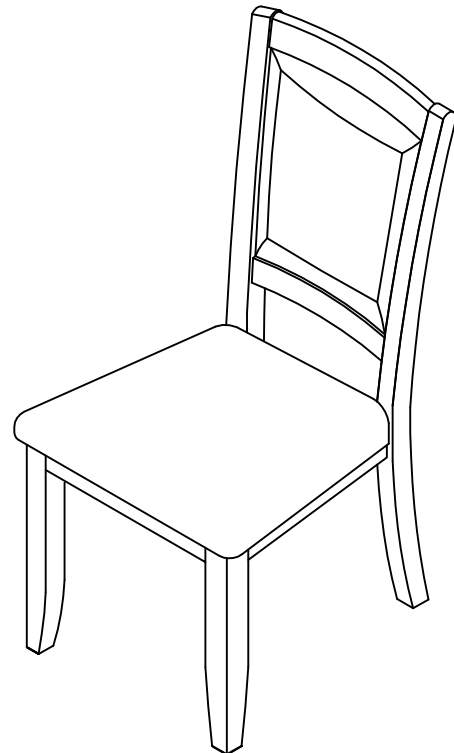
STEP 3:

Align and hand tighten cushion seat with frame to chair back leg using long bolt, lock washer and flat washer, then tighten all the bolts from step 2 & 3 with Allen wrench.



STEP 4:

Complete



**TIGHTEN ALL HARDWARE COMPLETELY.