

COASTER[®]
FINE FURNITURE

102672

DINING CHAIR

ASSEMBLY INSTRUCTIONS
COASTER FINE FURNITURE



www.coastercompany.com

ASSEMBLY TIPS:




1. Remove hardware from box and sort by size
2. Please check to see that all hardware and parts are present prior to start of assembly.
3. Please follow attached instruction in the same sequence as numbered to assure fast & easy assembly.









Warning!

1. Don't attempt to repair or modify parts that are broken or defective. Please contact the store immediately.
2. This product is for home use only and not intended for commercial establishment

PARTS IDENTIFICATION

A		CHAIR BACK	2PCS
B		CUSHION SEAT WITH FRAME	2PCS
C		FRONT LEG	4PCS

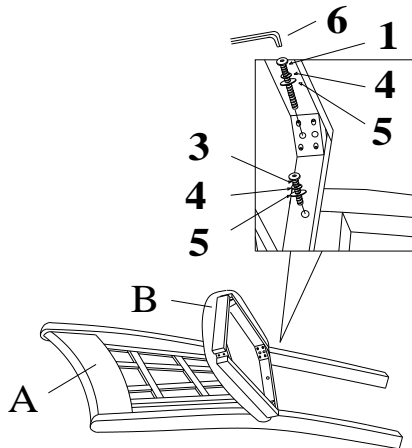
HARDWARE IDENTIFICATION

1		LONG BOLT	8PCS
2		MEDIUM BOLT	8PCS
3		SHORT BOLT	2PCS
4		LOCK WASHER	18PCS
5		FLAT WASHER	18PCS
6		ALLEN WENCH	2PCS

NOTE : QUANTITIES SHOWN ARE FOR TWO CHAIRS

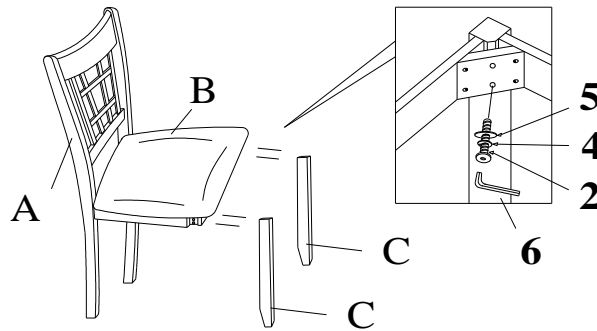
STEP 1

- 1.1 Align & hand tighten cushion seat with frame to chair back bottom rail using short bolt, lock washer & flat washer.
- 1.2 Align & hand tighten cushion seat with frame to chair back leg using long bolt, lock washer & flat washer.
- 1.3 Tighten all bolts with Allen wrench.



STEP 2

Insert front legs to cushion seat with frame using medium bolt, lock washer & flat washer. TIGHTEN WITH ALLEN WRENCH.



STEP 3

Complete.

