

COASTER[®]
Fine Furniture

103712

DINING CHAIR

ASSEMBLY INSTRUCTION
COASTER FINE FURNITURE



www.coastercompany.com

Assembly Instruction

ASSEMBLY TIPS:

- 1.Remove hardware from box and sort by size.
- 2.Please check to see that all hardware and parts are present prior to start of assembly.
- 3.Please follow attached instructions in the same sequence as numbered to assure fast & easy assembly.





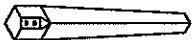
Warning !








- 1.Don't attempt to repair or modify parts that are broken or defective. Please contact the store immediately.
- 2.This product is for home use only and not intended for commercial establishment.

PARTS IDENTIFICATION:

Z

HARDWARE PACKAGE:

- A . CHAIR BACK  2 PCS
- B . SEAT  2 PCS
- C . FRONT LEGS  4 PCS

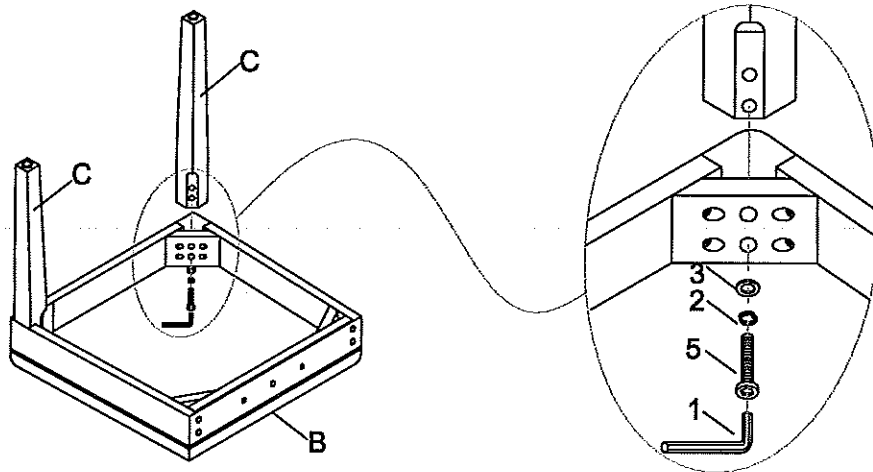
NO	DESCRIPTION	FIGURE	QTY
1	ALLEN WRENCH		1 PC
2	LOCK WASHER		20 PCS
3	FLAT WASHER		20 PCS
4	BOLT-SMALL		4 PCS
5	BOLT-MIDDLE		8 PCS
6	BOLT-LARGE		8 PCS
7	WOODEN DOWEL		2 PCS

NOTE: QUANTITIES SHOWN ARE FOR TWO CHAIRS

Assembly Instruction

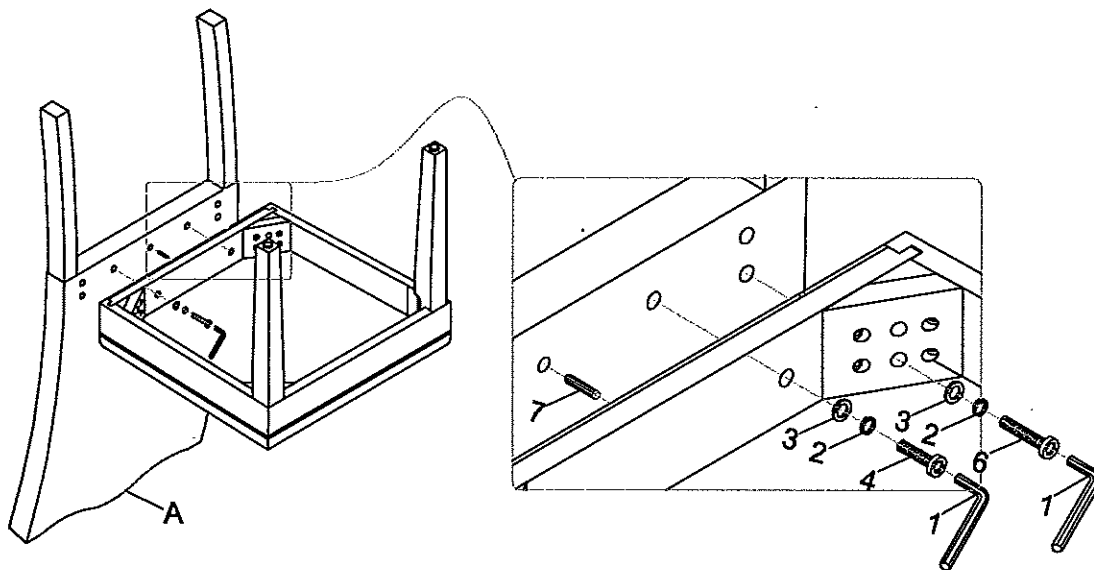
STEP 1

Put the SEAT on a flat surface. Attach FRONT LEGS to the SEAT as shown by using FLAT WASHER, LOCK WASHER and BOLT-MIDDLE with ALLEN WRENCH.



STEP 2

Attach the CHAIR BACK to the assembled SEAT as shown. Place the WOODEN DOWEL for firm-up. Use FLAT WASHER, LOCK WASHER and BOLT-LARGE with ALLEN WRENCH to fix in the corner, and use FLAT WASHER, LOCK WASHER and BOLT-SMALL with ALLEN WRENCH to settle.



Assembly Instruction

STEP 3
Assembly complete.

