

COASTER. 105071
FINE FURNITURE

DINING TABLE

ASSEMBLY INSTRUCTION

COASTER FINE FURNITURE



www.coastercompany.com

Assembly Instruction

ASSEMBLY TIPS:

- 1.Remove hardware from box and sort by size.
- 2.Please check to see that all hardware and parts are present prior start of assembly.
- 3.Please follow attached instructions in the same sequence as numbered to assure fast & easy assembly.

⚠ Warning!



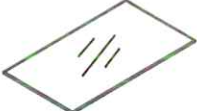
- 1.Don't attempt to repair or modify parts that are broken or defective.Please contact the store immediately.
- 2.This product is for home use only and not intended for commercial establishment.



ASSEMBLY TIME PER UNIT: 15 MINUTES

PARTS IDENTIFICATION

Z HARDWARE IDENTIFICATION

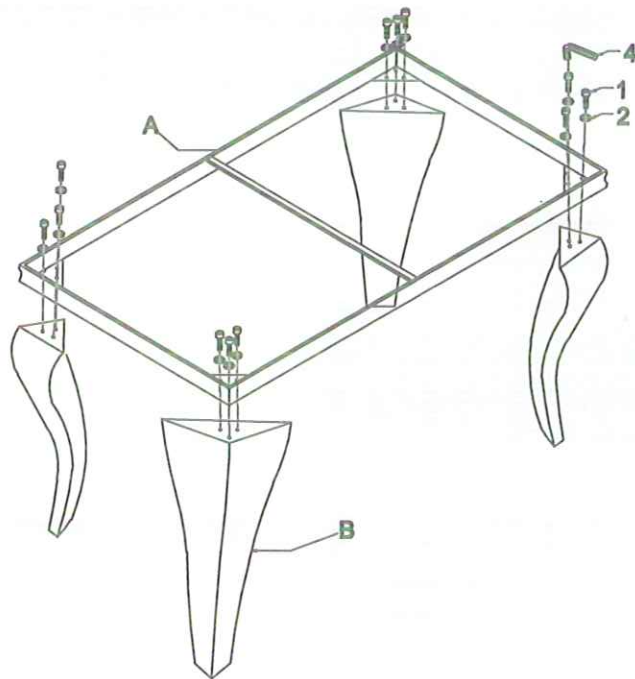
- A Top Frame**  **1PC**
- B Leg**  **4PCS**
- C Glass**  **1PC**

No	DESCRIPTION	FIGURE	Q'TY
1	Bolts m10*12		12PCS
2	Flat Washer φ10*20		12PCS
3	Glass Rest		6PCS
4	Allen Wrench 8mm		1PC

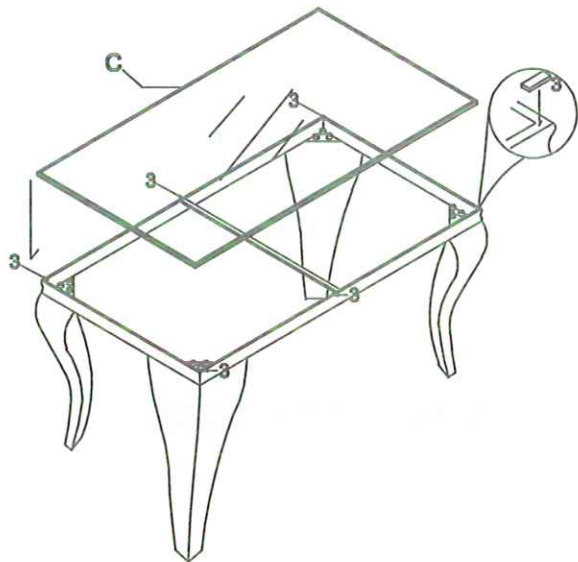
ITEM:105071

ASSEMBLY INSTRUCTION

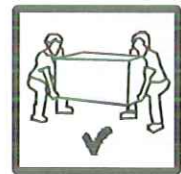
Step 1:



Step 2:



Step 3:



COASTER.
FINE FURNITURE

www.coastercompany.com