

**COASTER**<sup>®</sup>  
FINE FURNITURE

**105365**

SERVER WITH SLIDING DOOR

---

**ASSEMBLY INSTRUCTIONS**

**COASTER FINE FURNITURE**



**[www.coastercompany.com](http://www.coastercompany.com)**

REVISION 0 : 10/16/2014  
REVISION 1 : 12/01/2014

**ASSEMBLY TIPS :**

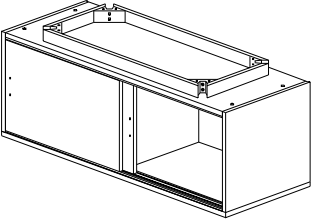
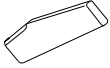
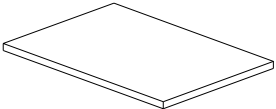
1. Remove hardware from plastic bag and sort by size.
2. Please check to see that all hardware and part are present prior to start of assembly.
3. Please follow attached instruction in the same sequence as numbered to assure fast & easy assembly.










**Warning !**

1. Don't attempt to repair or modify parts that are broken or defective. Please contact the store immediately.
2. This product is for home use only and not intended for commercial establishment.

**PARTS IDENTIFICATION:**

A		SERVER	1PC
B		LEG	4PCS
C		SHELF	2PCS

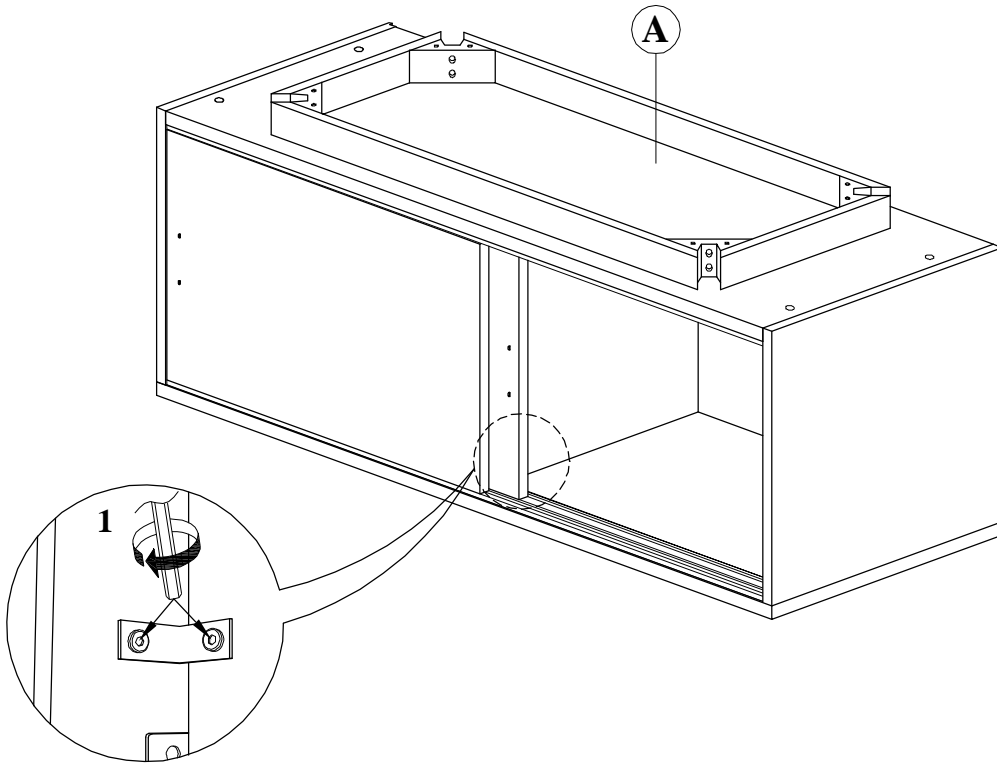
**HARDWARE IDENTIFICATION:**

1		ALLEN WRENCH	1PC
2		BOLT	8PCS
3		LOCK WASHER	8PCS
4		FLAT WASHER	8PCS
5		PULL	2PCS
6		SCREW	4PCS
7		SHELF SUPPORT	8PCS

**NOTE : PHILLIPS HEAD SCREW DRIVER IS REQUIRED IN THE ASSEMBLY PROCESS. HOWEVER, MANUFACTURER DOES NOT PROVIDE THIS ITEM.**

**STEP 1**

Place server (A) upside down on soft surface. Unscrew the L-bracket from the back of door (which is used to secure the door in place) using Allen wrench (1) .



**WARNING**

Serious or fatal crushing injuries can occur from furniture tip-over. To help prevent tip-over:

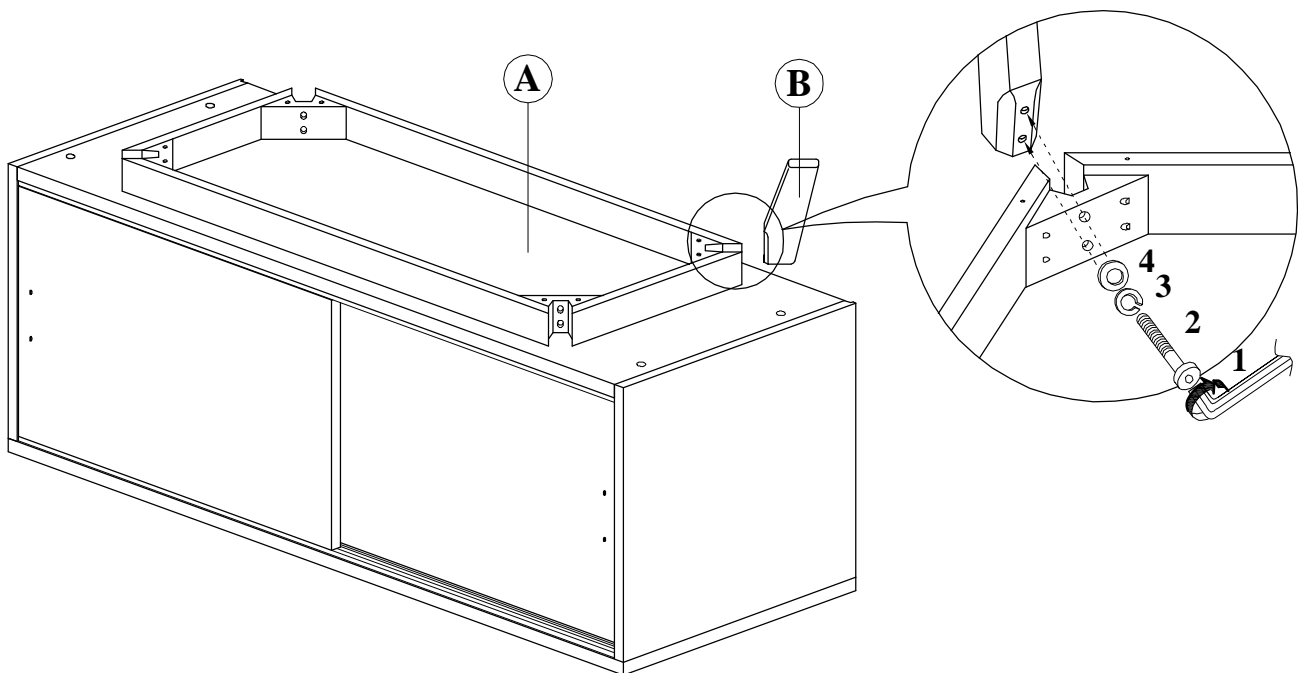
- Place heaviest items in the lowest drawers.
- Do not set TVs or other heavy objects on the top of this product, unless specifically designed to accommodate.
- Never allow children to climb or hang on drawers, doors, or shelves.
- Never open more than one drawer at a time.
- (OR)
- Do not defeat or remove the drawer interlock system.

Use of tipover restraints may only reduce, but not eliminate, the risk of tip-over.  
This is a permanent label. Do not attempt to remove!

Anti-Tipping Kit is stapled at the back panel.

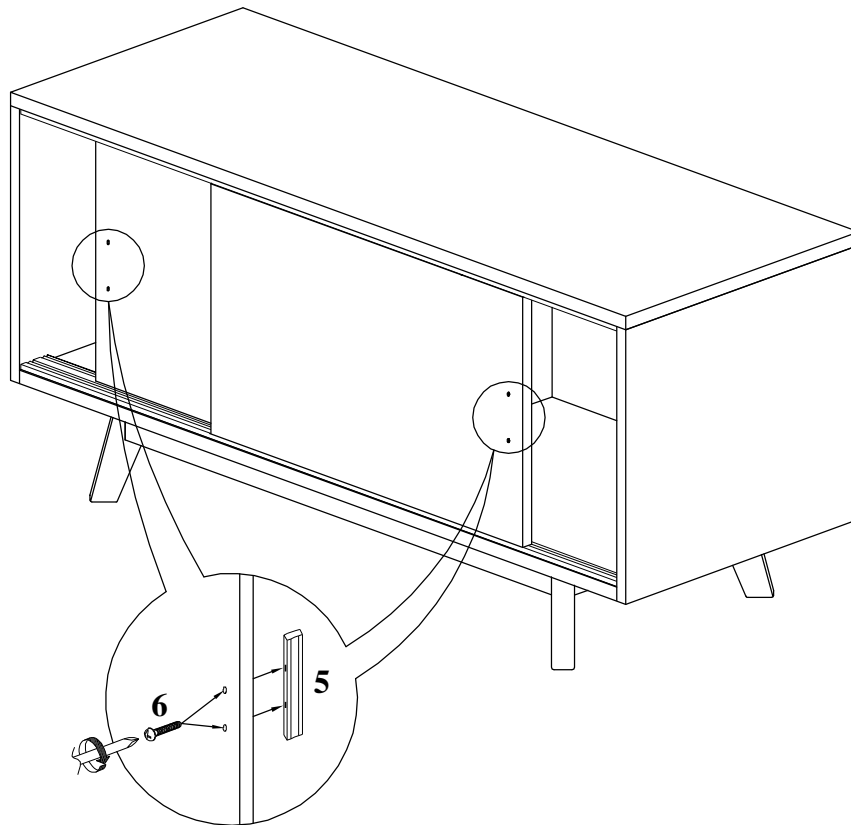
**STEP 2**

Align and fasten leg (B) to server (A) using bolt (2), lock washer (3) and flat washer (4) and fully tighten with Allen wrench (1).



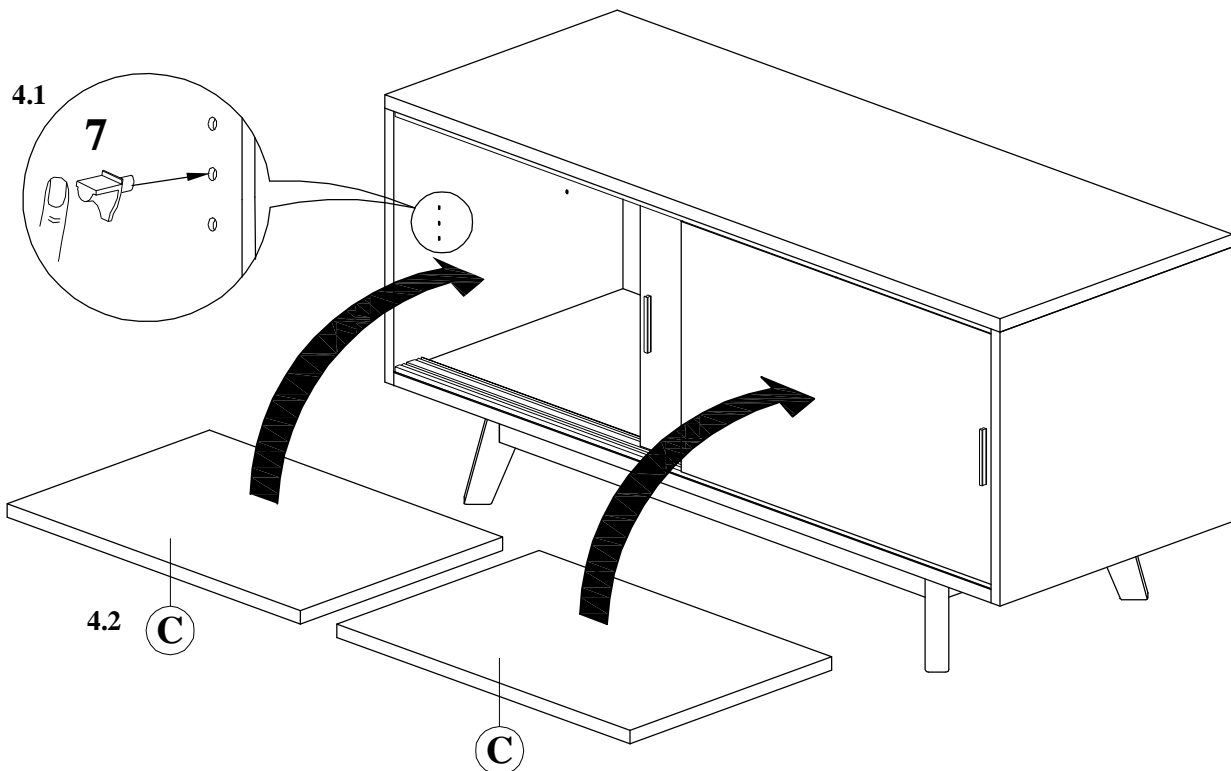
**STEP 3**

Flip over the server using two people to lift and flip. Align and fasten pull (5) to the doors using screw (6) and fully tighten with Phillips head screw driver (Not provided).



**STEP 4**

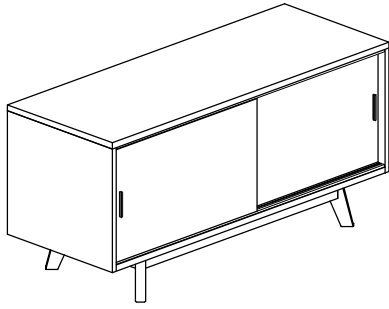
- 4.1. Insert shelf support (7) into the pre-drilled holes of center panel and side panel .
- 4.2. Align and place shelf (C) onto shelf support (7).



# ANTI - TIPPING KIT

## PARTS IDENTIFICATION:

**D** SERVER 1PC



## HARDWARE IDENTIFICATION:

**8**  SHORT SCREW 1PC

**9**  LONG SCREW 1PC

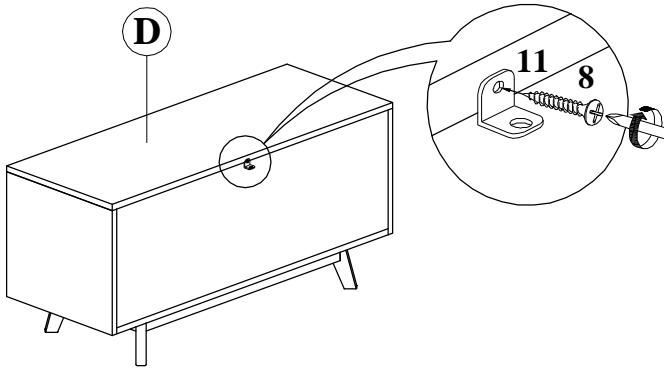
**10**  CABLE TIE 1PC

**11**  L BRACKET 2PCS

This tip restraint must be attached to a wall stud using long screw enclosed.

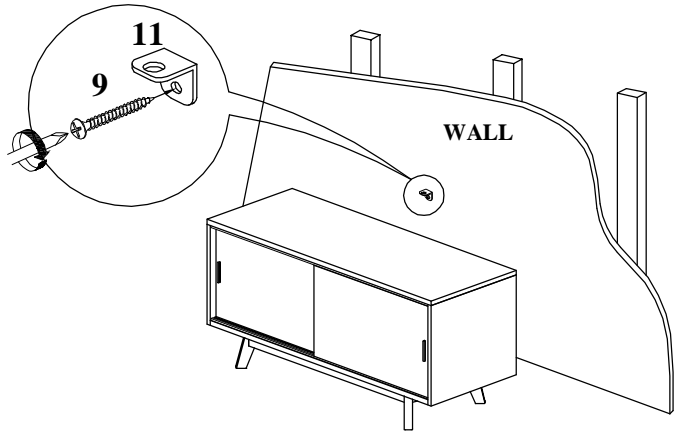
### STEP 1

Attach a bracket securely to the back top rail of server using short screw provided, through the smaller hole.



### STEP 2

Locate the other bracket on the wall over a wall stud and two inches below the mounting bracket secured to the back of server. Attached to the wall stud using the long screw provided, through the smaller hole.



### STEP 3

Place the server into position so both mounting brackets are vertically in line. Lace the end of the cable tie through the larger hole in each mounting bracket. Bring both ends together and slide the flat end through the locking end and draw it through until all slack is removed. Confirm that the cable is securely laced and locked.

