



106472

DINING CHAIR WITH PU SEAT

**ASSEMBLY INSTRUCTIONS**

**COASTER FINE FURNITURE**



[www.coastercompany.com](http://www.coastercompany.com)

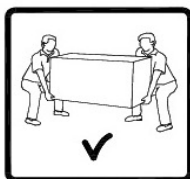
## ASSEMBLY TIPS:

1. Remove hardware from box and sort by size.
2. Please check to see that all hardware and parts are present prior to start of assembly.
3. Please follow attached instruction in the same sequence as numbered to assure fast & easy assembly.



### Warning!

1. Don't attempt to repair or modify parts that are broken or defective. Please contact the store immediately.
2. This product is for home use only and not intended for commercial establishment.



ASSEMBLY TIME	15 MINUTES
---------------	------------

## PARTS IDENTIFICATION

A  **CHAIR BACK** 1 PC

B  **CUSHION SEAT WITH FRAME** 1 PC

C  **FRONT LEG** 2 PCS

## HARDWARE IDENTIFICATION

1  **ALLEN WRENCH** 1 PC

2  **LONG BOLT** 4 PCS

3  **MEDIUM BOLT** 4 PCS

4  **SHORT BOLT** 2 PCS

5  **LOCK WASHER** 10 PCS

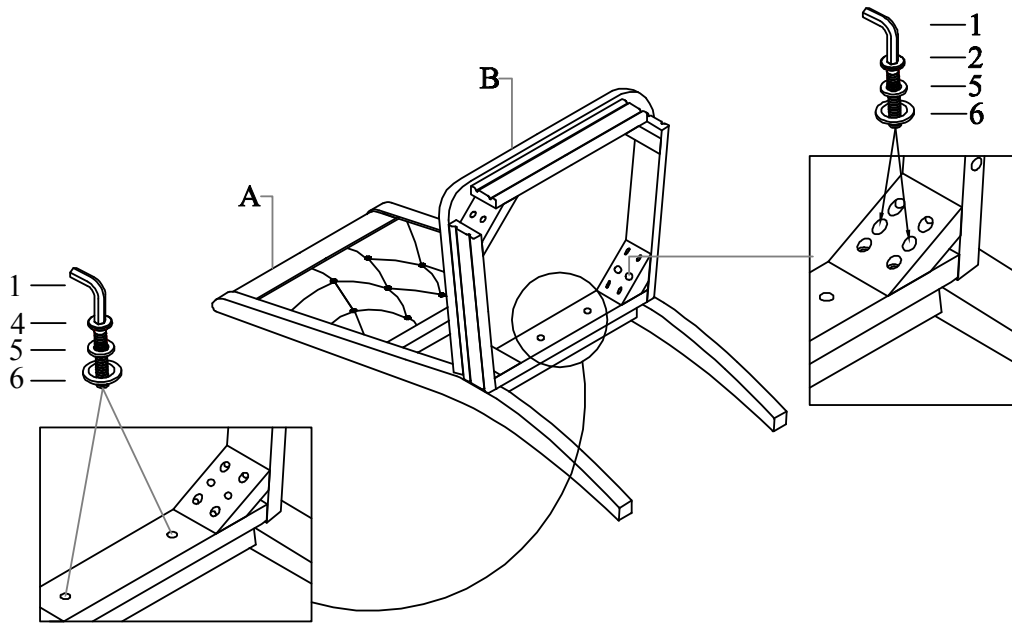
6  **FLAT WASHER** 10 PCS

**NOTE: QUANTITIES SHOWN ARE FOR ONE CHAIR.**

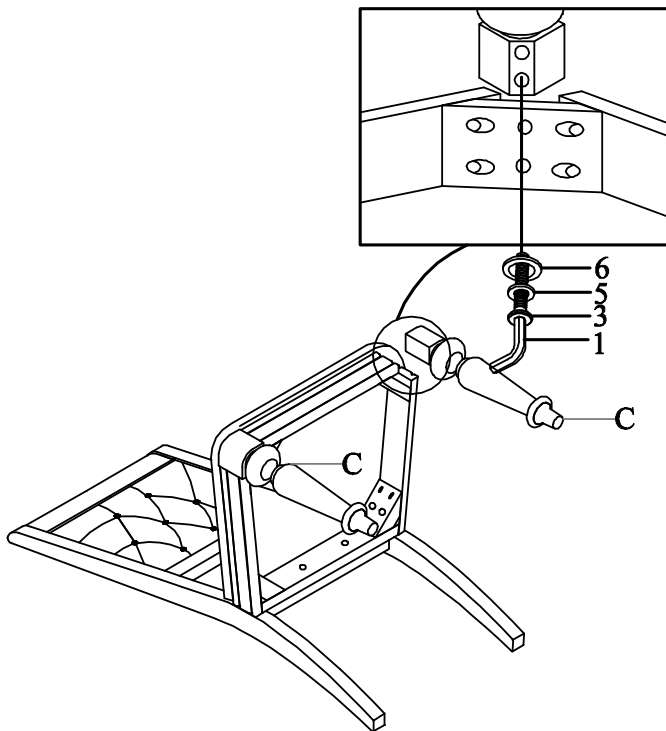
# ITEM: 106472

# ASSEMBLY INSTRUCTIONS

## STEP 1



## STEP 2



## STEP 3 COMPLETE

