



**106582**

**DINING CHAIR WITH CUSHION SEAT**

**ASSEMBLY INSTRUCTIONS**  
**COASTER FINE FURNITURE**



**[www.coastercompany.com](http://www.coastercompany.com)**

REVISION 0:10/02/2015

**ASSEMBLY TIPS:**

1. Remove hardware from box and sort by size.
2. Please check to see that all hardware and parts are present prior to start of assembly.
3. Please follow attached instructions in the same sequence as numbered to assure fast & easy assembly.






**Warning!**

1. Don't attempt to repair or modify parts that are broken or defective. Please contact the store immediately.
2. This product is for home use only and not intended for commercial establishment.









ASSEMBLY TIME 10 MINUTES

**PARTS IDENTIFICATION :**

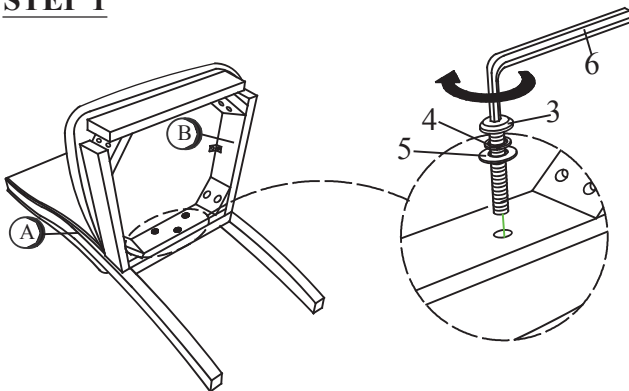
- A CHAIR BACK 1 PC 
- B CUSHION SEAT WITH FRAME 1 PC 
- C FRONT LEG 2 PCS 

**HARDWARE IDENTIFICATION :**

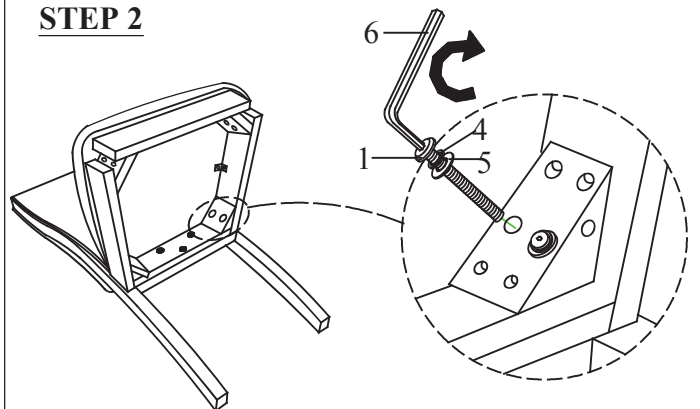
NO.	DESCRIPTION	FIGURE	QTY
1	LONG BOLT		4 PCS
2	MEDIUM BOLT		4 PCS
3	SHORT BOLT		3 PCS
4	LOCK WASHER		11 PCS
5	FLAT WASHER		11 PCS
6	ALLEN WRENCH		1 PC

NOTE:QUANTITIES SHOWN ARE FOR ONE CHAIR.

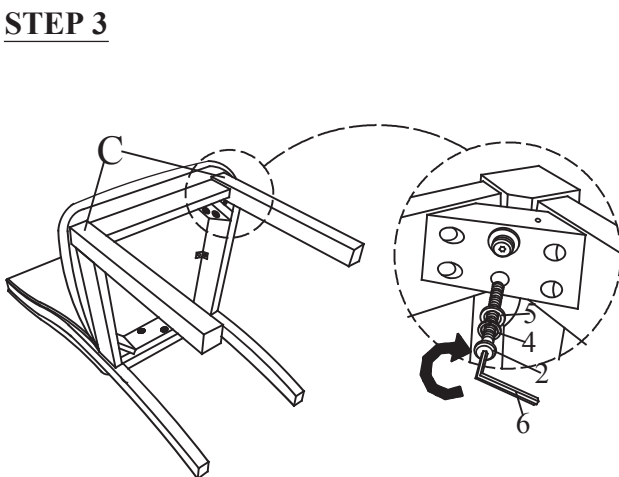
**STEP 1**



**STEP 2**



**STEP 3**



**STEP 4  
COMPLETE.**

