

COASTER[®]
Fine Furniture

107411

DINING TABLE

ASSEMBLY INSTRUCTION
COASTER FINE FURNITURE

www.coastercompany.com

Assembly Instruction

ASSEMBLY TIPS:

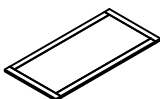

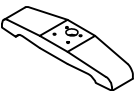
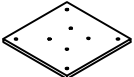

- 1.Remove hardware from box and sort by size.
- 2.Please check to see that all hardware and parts are present prior to start of assembly.
- 3.Please follow attached instructions in the same sequence as numbered to assure fast & easy assembly.



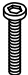
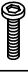


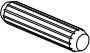

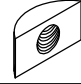

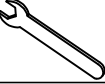


Warning !

- 1.Don't attempt to repair or modify parts that are broken or defective. Please contact the store immediately.
- 2.This product is for home use only and not intended for commercial establishment.

PARTS IDENTIFICATION:

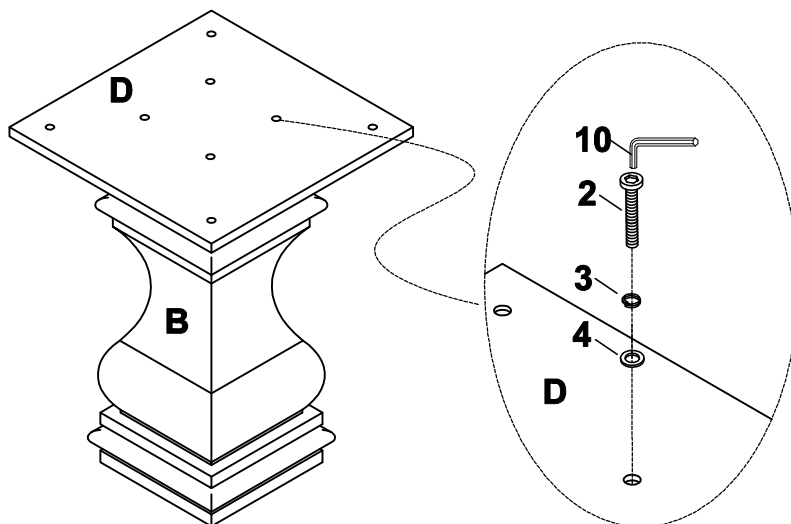
- A . TOP PANEL  1 PC
- Note: Refer to UP SIDE Sticker
- B . LEG  2 PCS
- C . BASE  2 PCS
- D . CONNECTING PLATE  2 PCS
- E . STRETCHER  1 PC

Z HARDWARE PACKAGE:

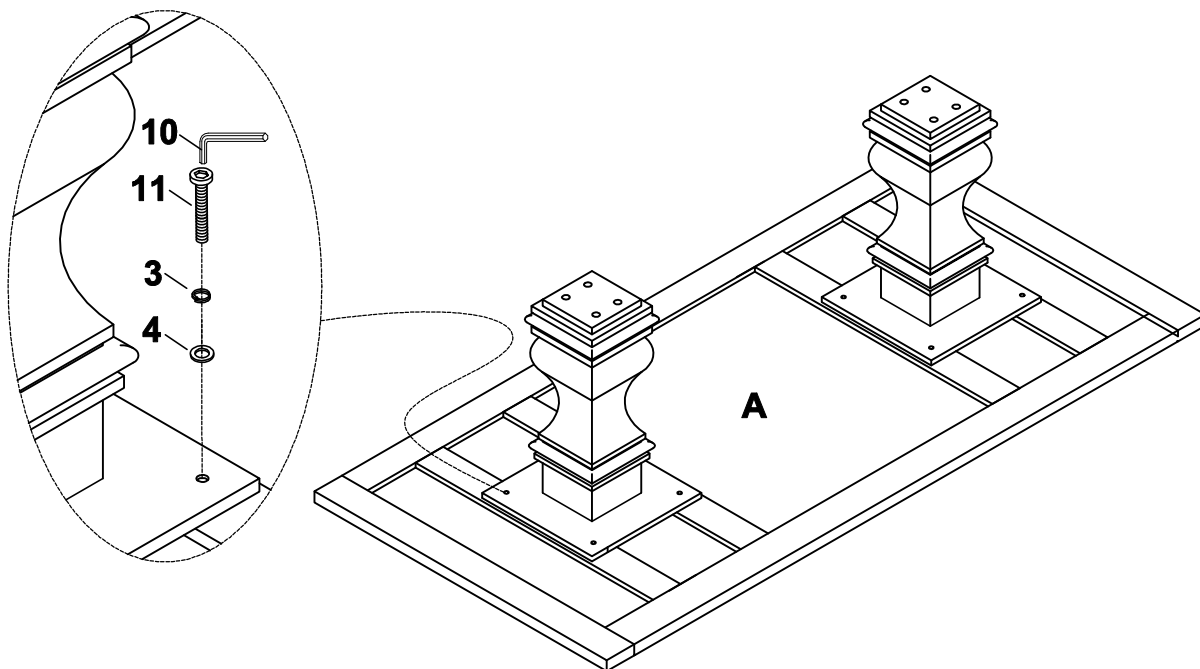
NO	DESCRIPTION	FIGURE	QTY
1	BOLT-LARGE		8 PCS
2	BOLT-MIDDLE		8 PCS
3	LOCK WASHER		24 PCS
4	FLAT WASHER		24 PCS
5	WOODEN DOWEL		4 PCS
6	HEXAGON NUT		2 PCS
7	HALF ROUND NUT		2 PCS
8	BOLT		2 PCS
9	SPANNER		1 PC
10	ALLEN WRENCH		1 PC
11	BOLT-SMALL		8 PCS

Assembly Instruction

STEP 1

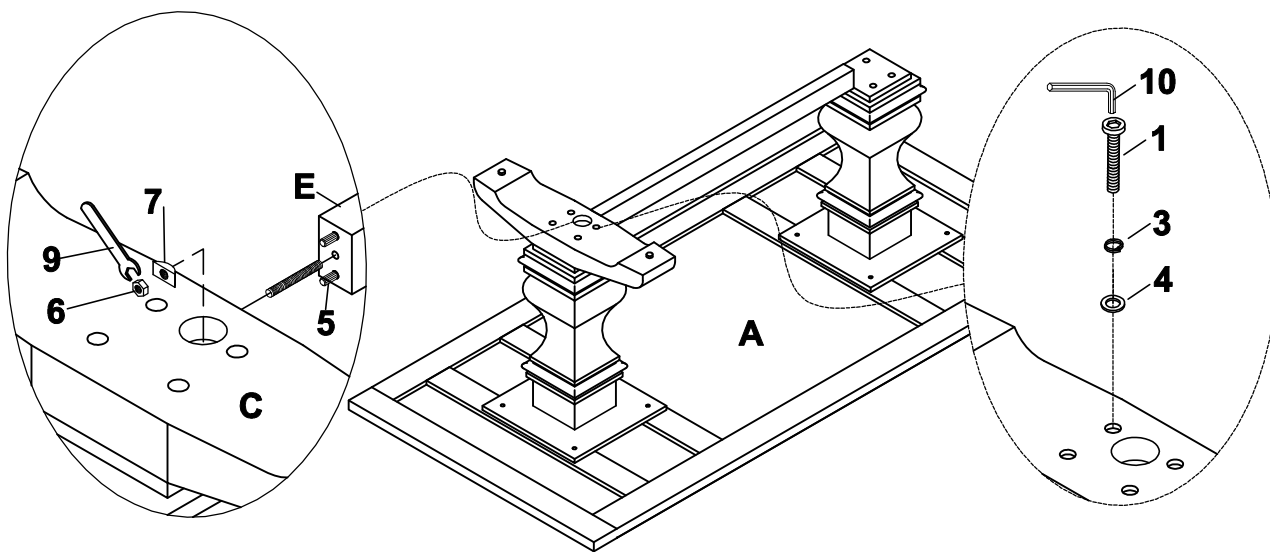


STEP 2

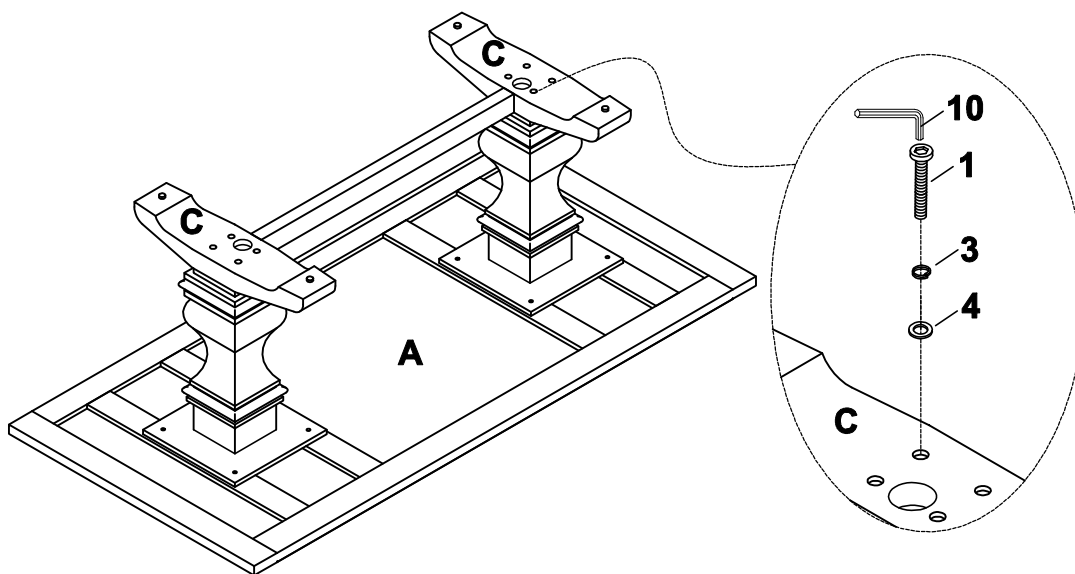


Assembly Instruction

STEP 3



STEP 4



Assembly Instruction

STEP 5

