

COASTER®
Fine Furniture

107415

CABINET

**ASSEMBLY INSTRUCTION
COASTER FINE FURNITURE**

www.coastercompany.com

Assembly Instruction

ASSEMBLY TIPS:

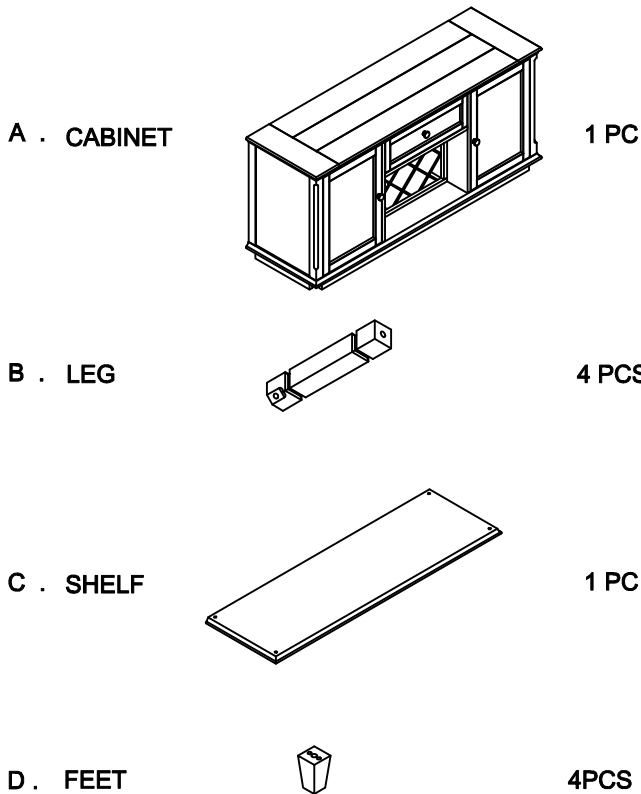
- 1.Remove hardware from box and sort by size.
- 2.Please check to see that all hardware and parts are present prior to start of assembly.
- 3.Please follow attached instructions in the same sequence as numbered to assure fast & easy assembly.









Warning !

- 1.Don't attempt to repair or modify parts that are broken or defective. Please contact the store immediately.
- 2.This product is for home use only and not intended for commercial establishment.

PARTS IDENTIFICATION:

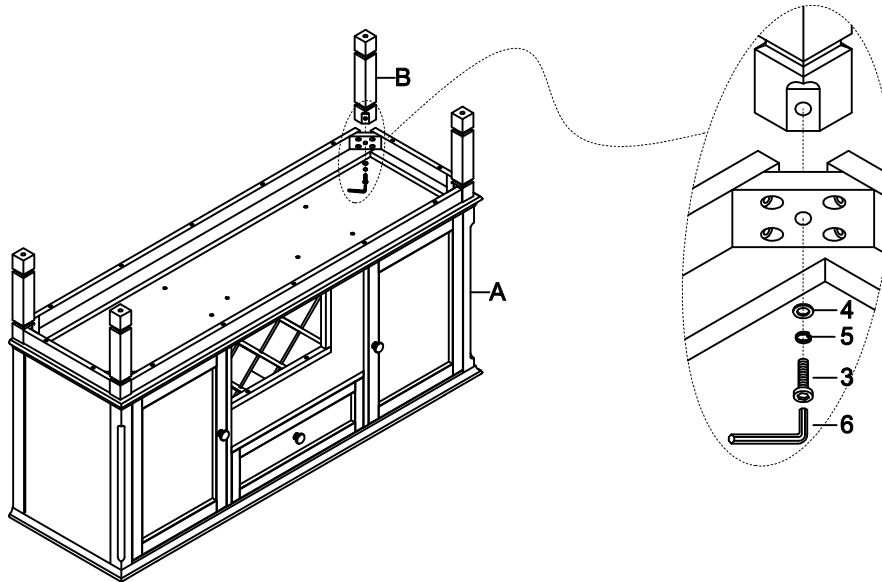


Z HARDWARE PACKAGE:

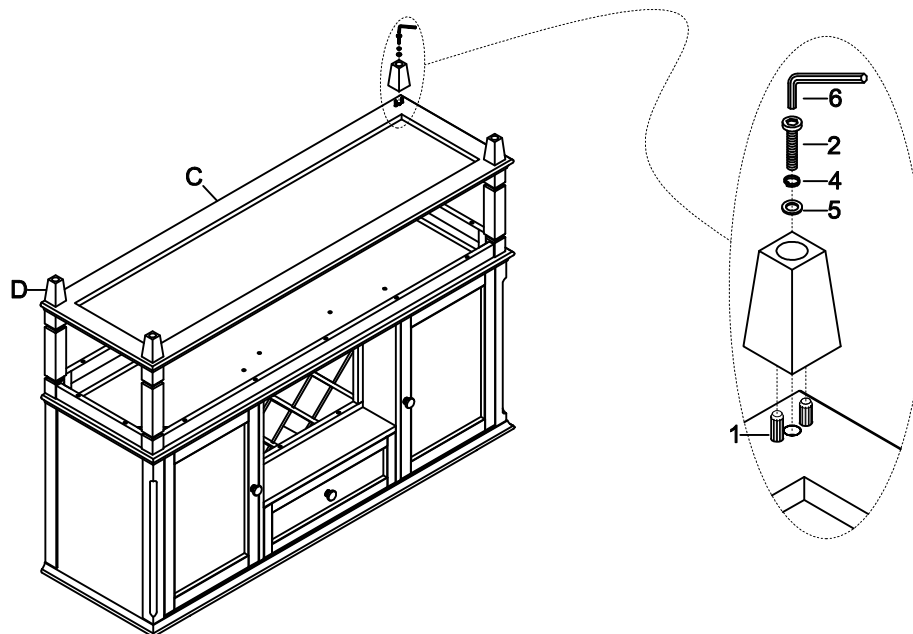
NO	DESCRIPTION	FIGURE	QTY
1	WOODEN DOWEL		8 PCS
2	BOLT-LARGE		4 PCS
3	BOLT-MIDDEL		4 PCS
4	LOCK WASHER		8 PCS
5	FLAT WASHER		8 PCS
6	ALLEN WRENCH		1 PC

Assembly Instruction

STEP 1



STEP 2



Assembly Instruction

STEP 3

