



**107724**

PARSON CHAIR  
WITH CUSHION SEAT

---

## ASSEMBLY INSTRUCTIONS



[www.coastercompany.com](http://www.coastercompany.com)

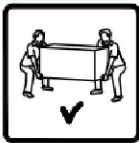
REVISION 0:05/31/2017

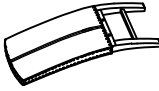
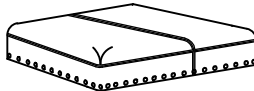
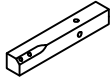
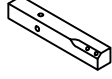
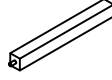
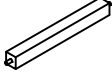
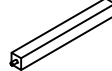
**ASSEMBLY TIPS:**

- 1.Remove hardware from box and sort by size.
- 2.Please check to see that all hardware and parts are present prior to start of assembly.
- 3.Please follow attached instructions in the same sequence as numbered to assure fast & easy assembly.

**Warning!**

1. Don't attempt to repair or modify parts that are broken or defective. Please contact the store immediately.
2. This product is for home use only and not intended for commercial establishment.

**ASSEMBLY TIME****15 MINUTES****PARTS IDENTIFICATION**

A		BACK	1PC
B		SEAT CUSHION WITH FRAME	1PC
C		LEFT FRONT LEG	1PC
D		RIGHT FRONT LEG	1PC
E		FRONT STRETCHER	1PC
F		LEFT SIDE STRETCHER	1PC
G		RIGHT SIDE STRETCHER	1PC

NOTE : THE ASSEMBLY INSTRUCTION PARTS ARE ONLY FOR ONE CHAIR.







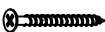
**ASSEMBLY TIPS:**

- 1.Remove hardware from box and sort by size.
- 2.Please check to see that all hardware and parts are present prior to start of assembly.
- 3.Please follow attached instructions in the same sequence as numbered to assure fast & easy assembly.

**Warning!**

1. Don't attempt to repair or modify parts that are broken or defective. Please contact the store immediately.
2. This product is for home use only and not intended for commercial establishment.

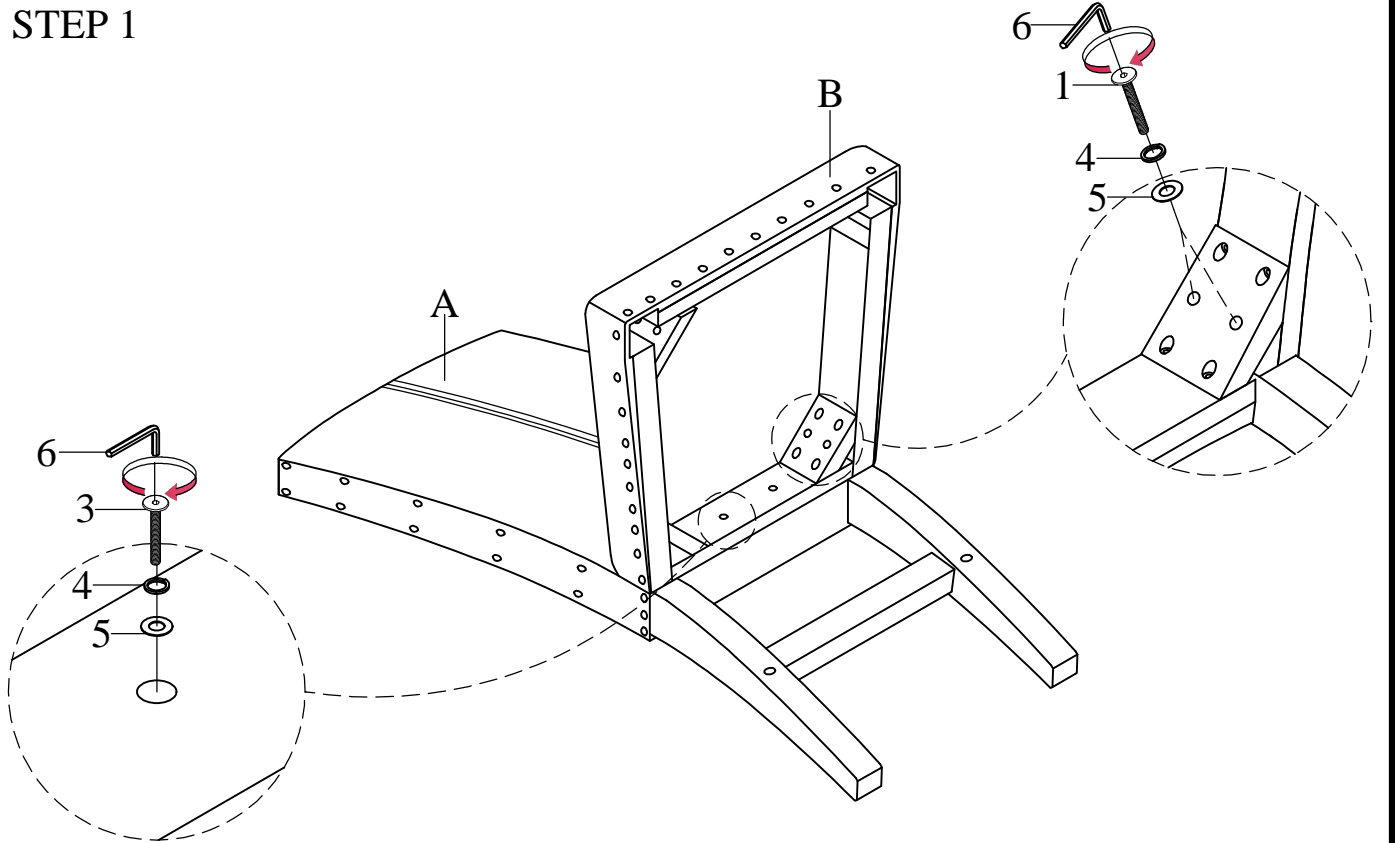
**HARDWARE IDENTIFICATION**

1		LONG BOLT	4PCS
2		MEDIUM BOLT	4PCS
3		SHORT BOLT	2PCS
4		LOCK WASHER	10PCS
5		FLAT WASHER	10PCS
6		ALLEN WRENCH	1PC
7		SCREW	6PCS

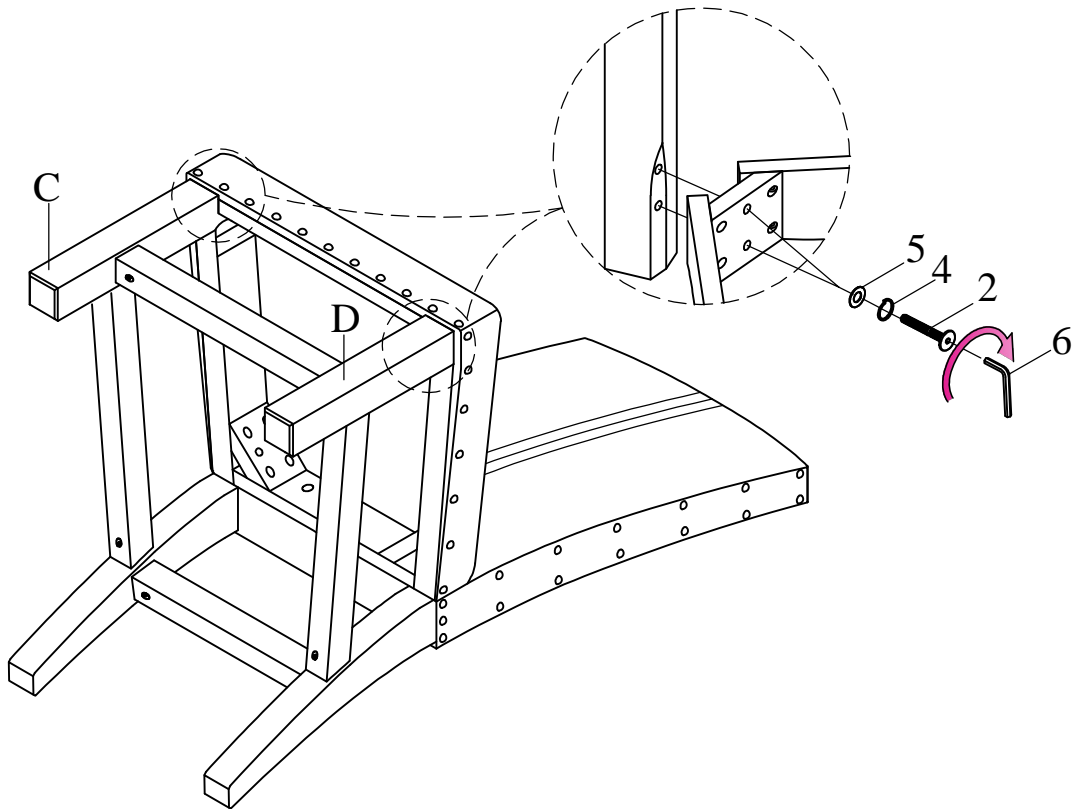
**NOTE:-PHILLIPS HEAD SCREW DRIVER IS REQUIRED IN THE ASSEMBLY PROCESS; HOWEVER, MANUFACTURER DOES NOT PROVIDE THIS ITEM.**

**NOTE : THE ASSEMBLY INSTRUCTION HARDWARE ARE ONLY FOR ONE CHAIR.**

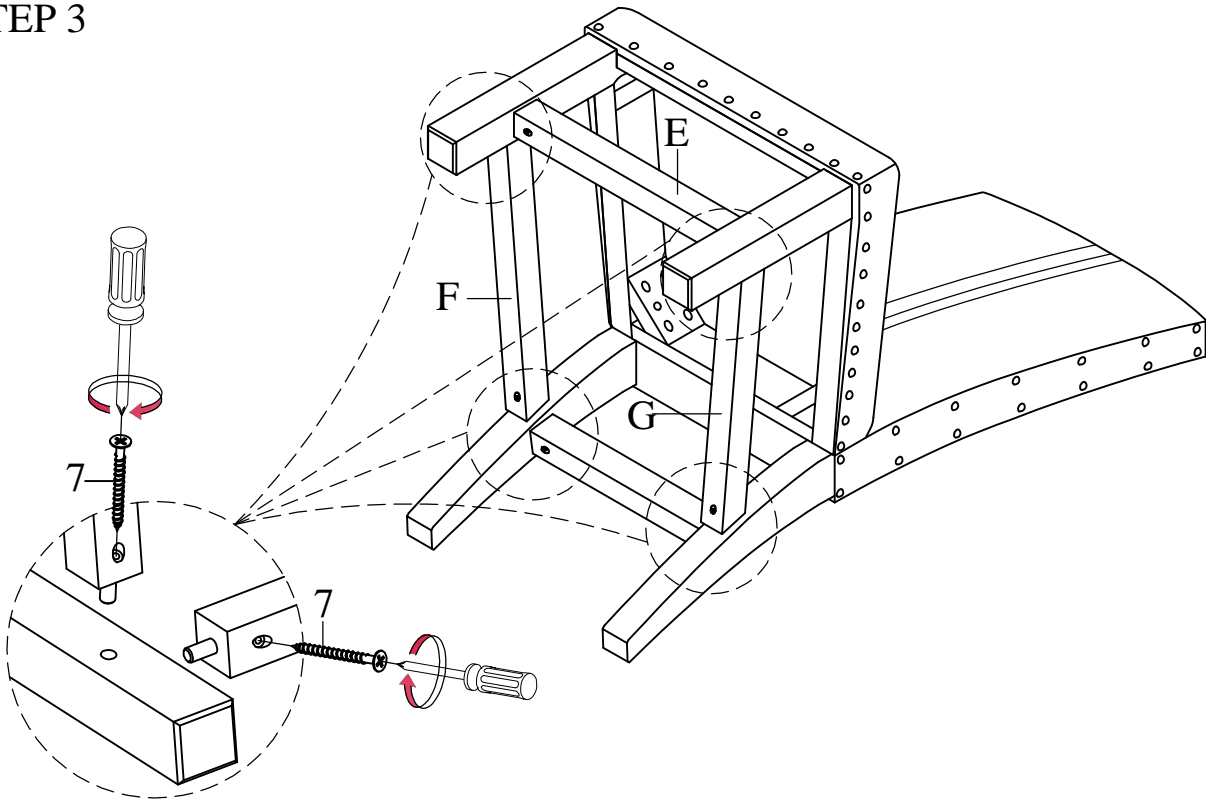
STEP 1



STEP 2



STEP 3



STEP 4  
COMPLETE

