



107732 SIDE CHAIR

ASSEMBLY INSTRUCTIONS



www.coastercompany.com

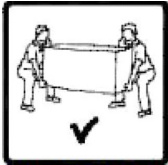
ASSEMBLY TIPS:

1. Remove hardware from box and sort by size.
2. Please check to see that all hardware and parts are present prior to start of assembly.
3. Please follow attached instruction in the same sequence as numbered to assure fast & easy assembly.



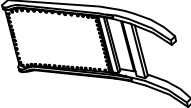
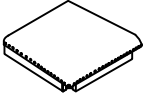

Warning!

1. Don't attempt to repair or modify parts that are broken or defective. Please contact the store immediately.
2. This product is for home use only and not intended for commercial establishment.









ASSEMBLY TIME | 15 MINUTES

PARTS IDENTIFICATION

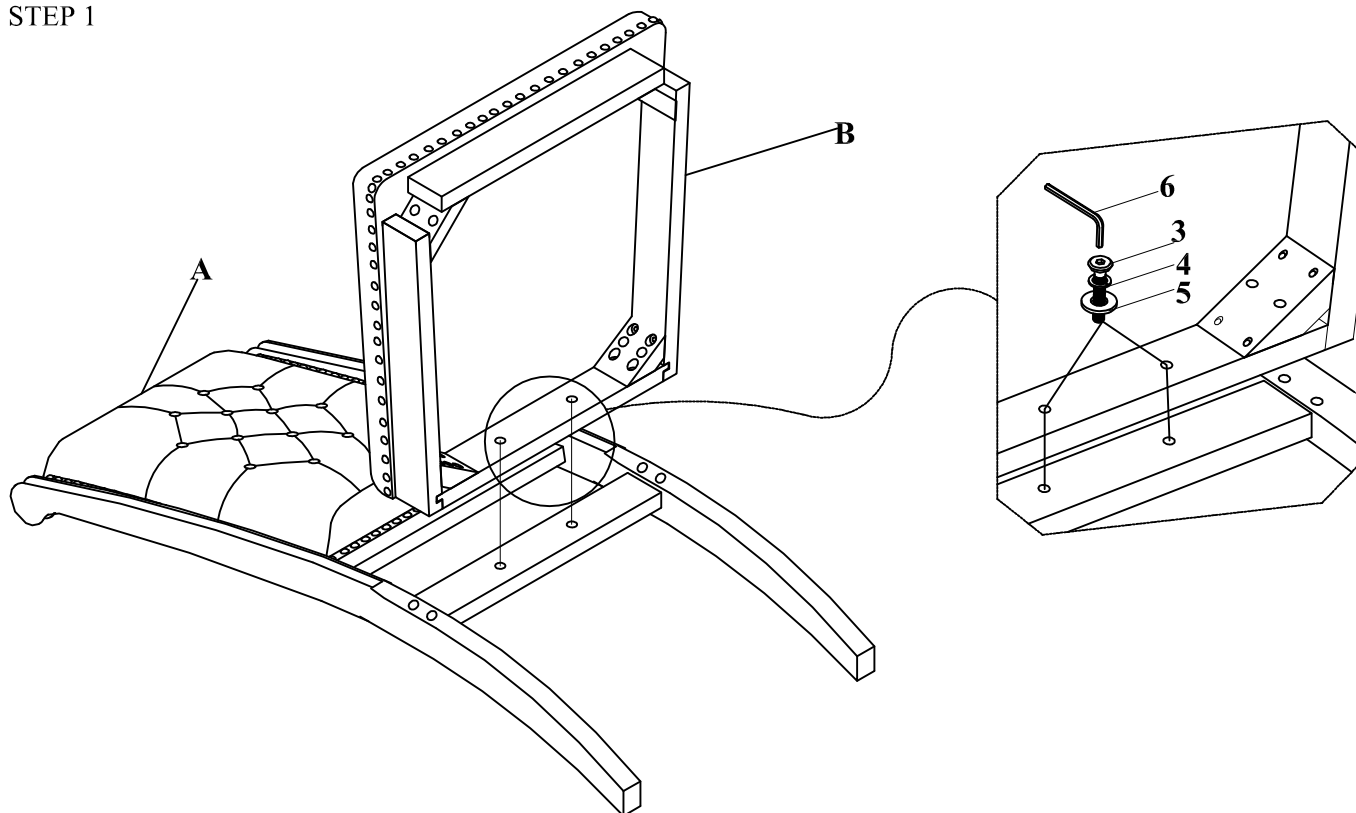
A		BACK	1PC
B		SEAT CUSHION WITH FRAME	1PC
C		FRONT LEG	2PCS

HARDWARE IDENTIFICATION

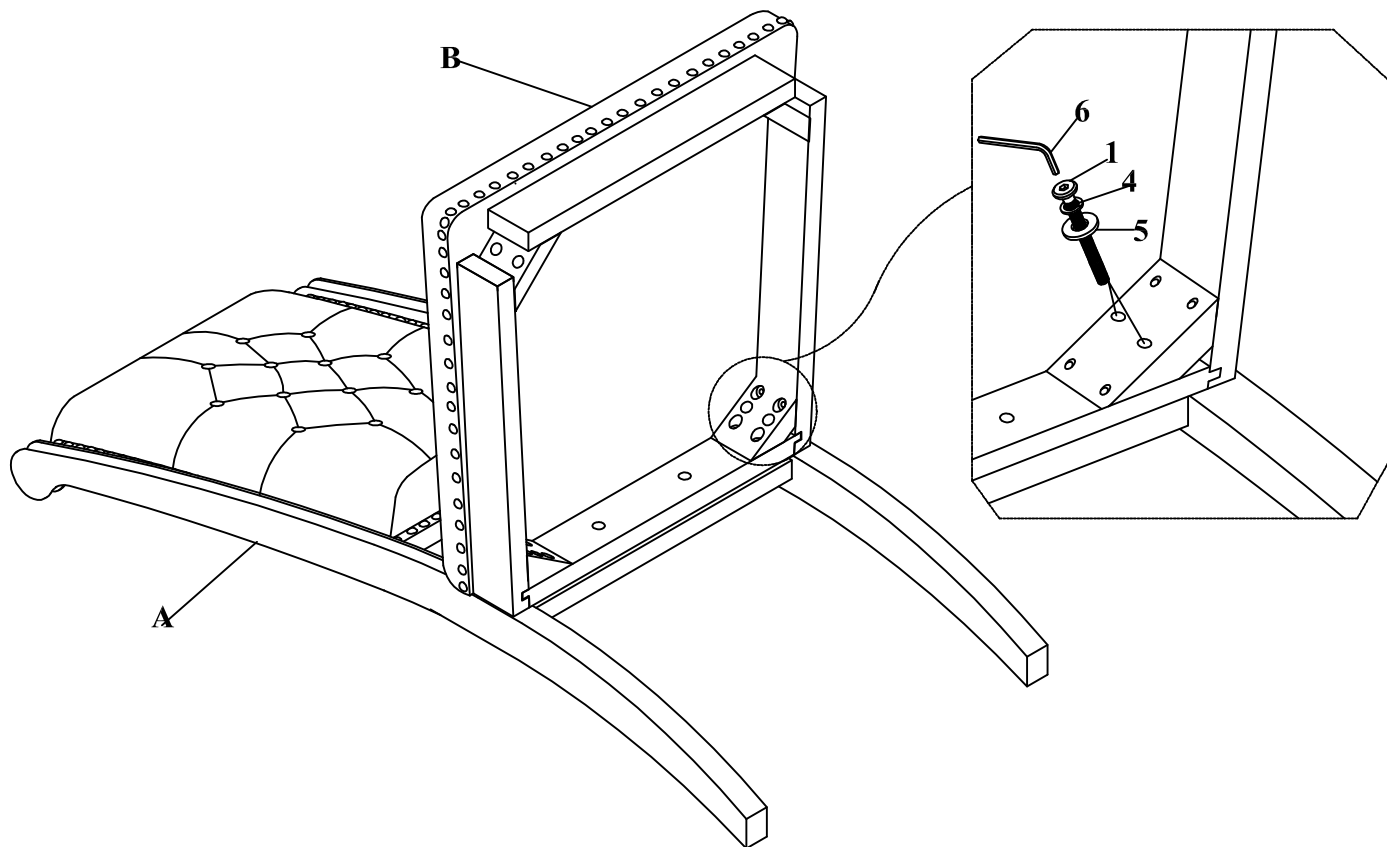
1		LONG BOLT	4PCS
2		MEDIUM BOLT	4PCS
3		SHORT BOLT	2PCS
4		LOCK WASHER	10PCS
5		FLAT WASHER	10PCS
6		ALLEN WRENCH	1PC

NOTE:QUANTITIES SHOWN ARE FOR ONE CHAIR

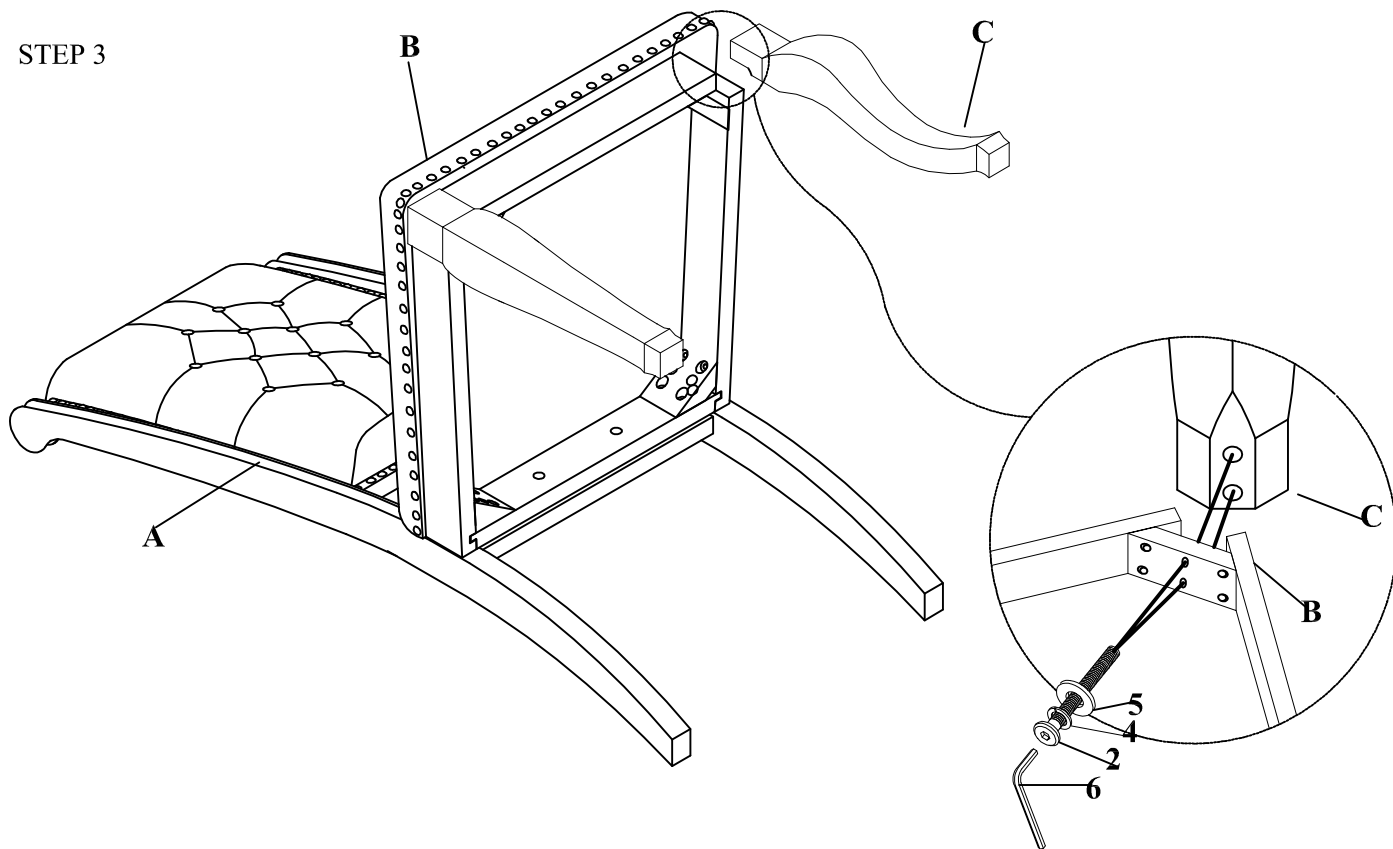
STEP 1



STEP 2



STEP 3



COMPLETE

