



**107793**

**DINING BENCH**

---

**ASSEMBLY INSTRUCTIONS**



**[www.coastercompany.com](http://www.coastercompany.com)**

BE. 1485 / 03 / 17 SU

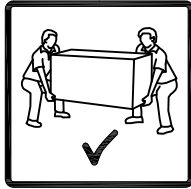
**ASSEMBLY TIPS :**

1. Remove hardware from box and sort by size.
2. Please check to see that all hardware and parts are present prior to start of assembly.
3. Please follow attached instruction in the same sequence as numbered to assure fast & easy assembly.



**WARNING !**

1. Don't attempt to repair or modify parts that are broken or defective. Please contact the store immediately
2. This product is for home use only and not intended for commercial establishment.



**ASSEMBLY TIME 15 MINUTES**

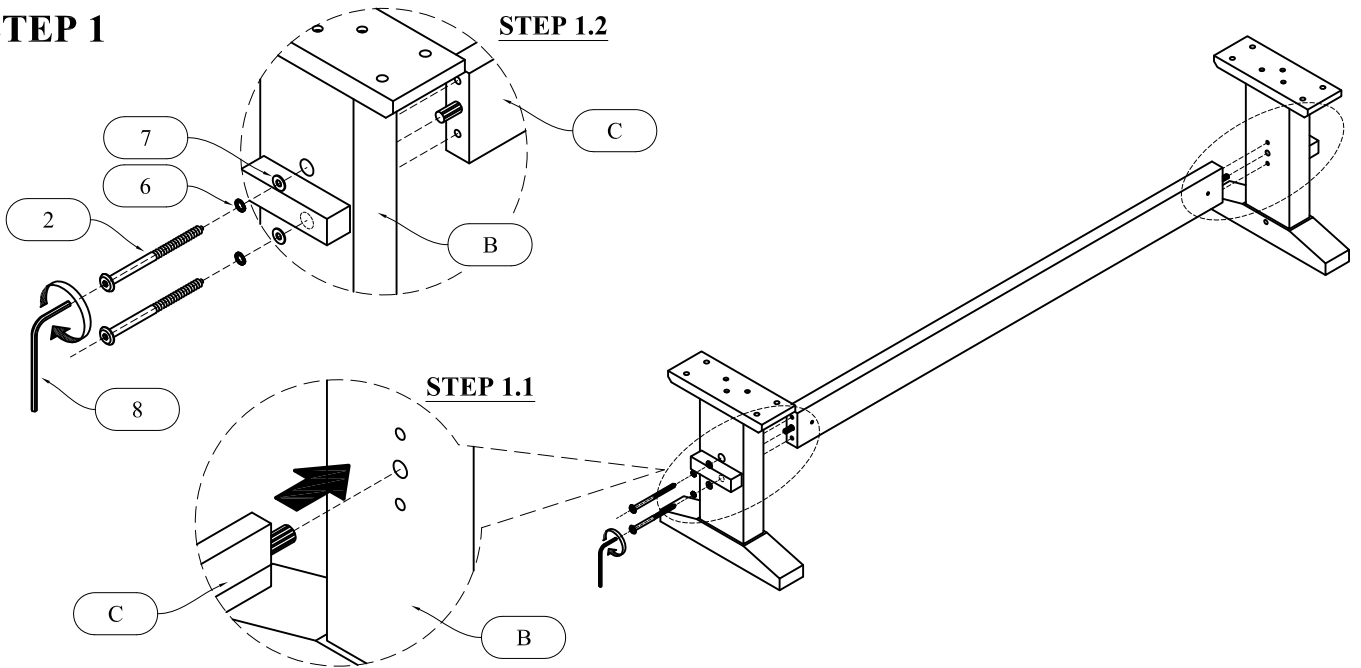
**PARTS IDENTIFICATION**

A.		TOP	1 PC
B.		LEG	2 PCS
C.		STRETCHER	1 PC
D.		WOOD TRIM	2 PCS

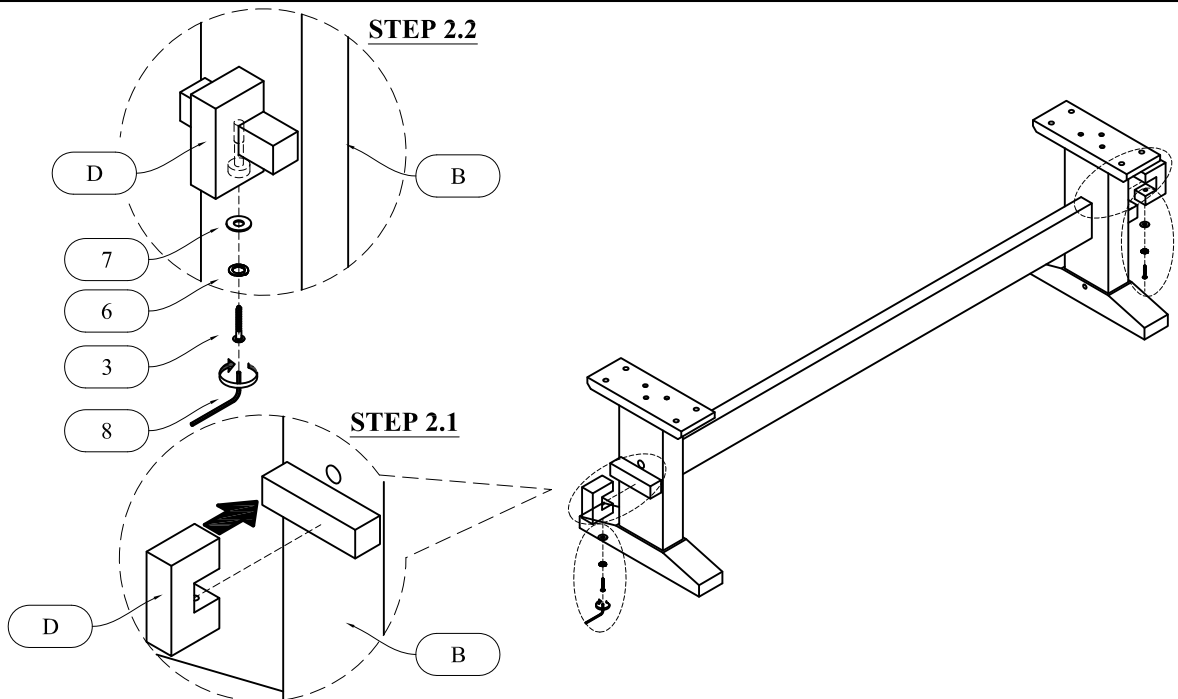
**HARDWARE IDENTIFICATION**

1.		MEDIUM BOLT	8 PCS
2.		LONG BOLT	4 PCS
3.		SHORT BOLT	2 PCS
4.		LARGE LOCK WASHER	8 PCS
5.		LARGE FLAT WASHER	8 PCS
6.		SMALL LOCK WASHER	6 PCS
7.		SMALL FLAT WASHER	6 PCS
8.		SMALL ALLEN WRENCH	1 PC
9.		LARGE ALLEN WRENCH	1 PC

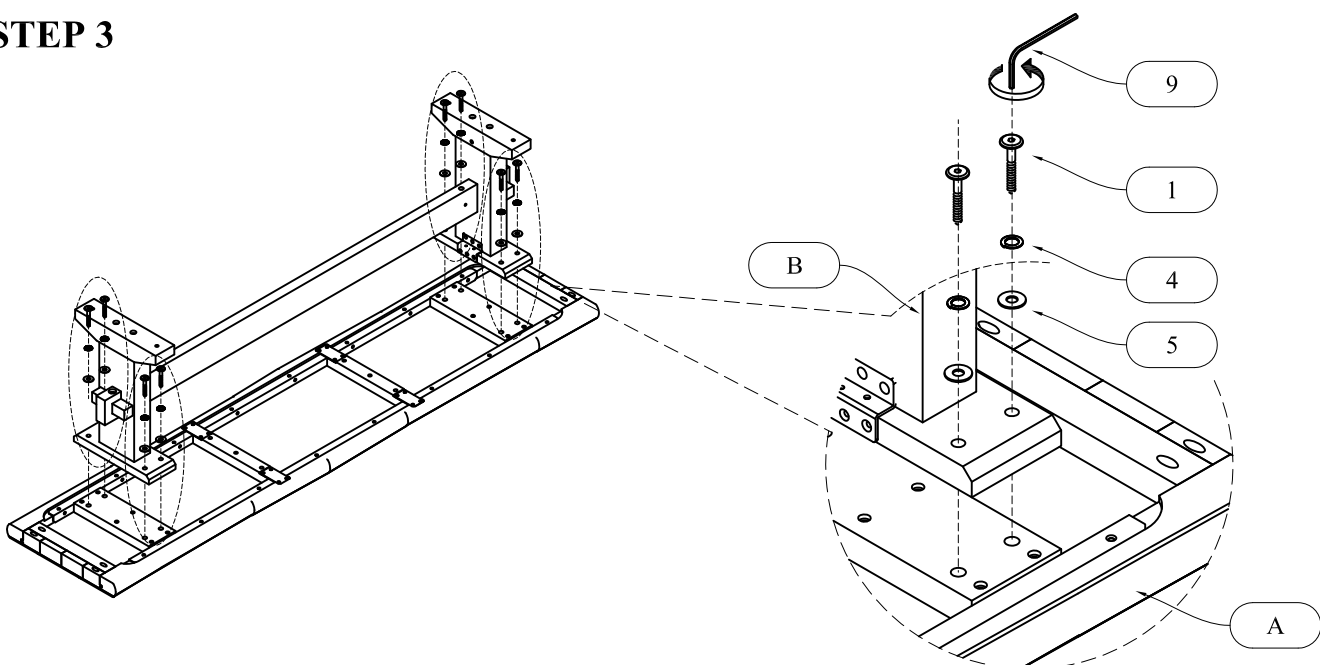
STEP 1



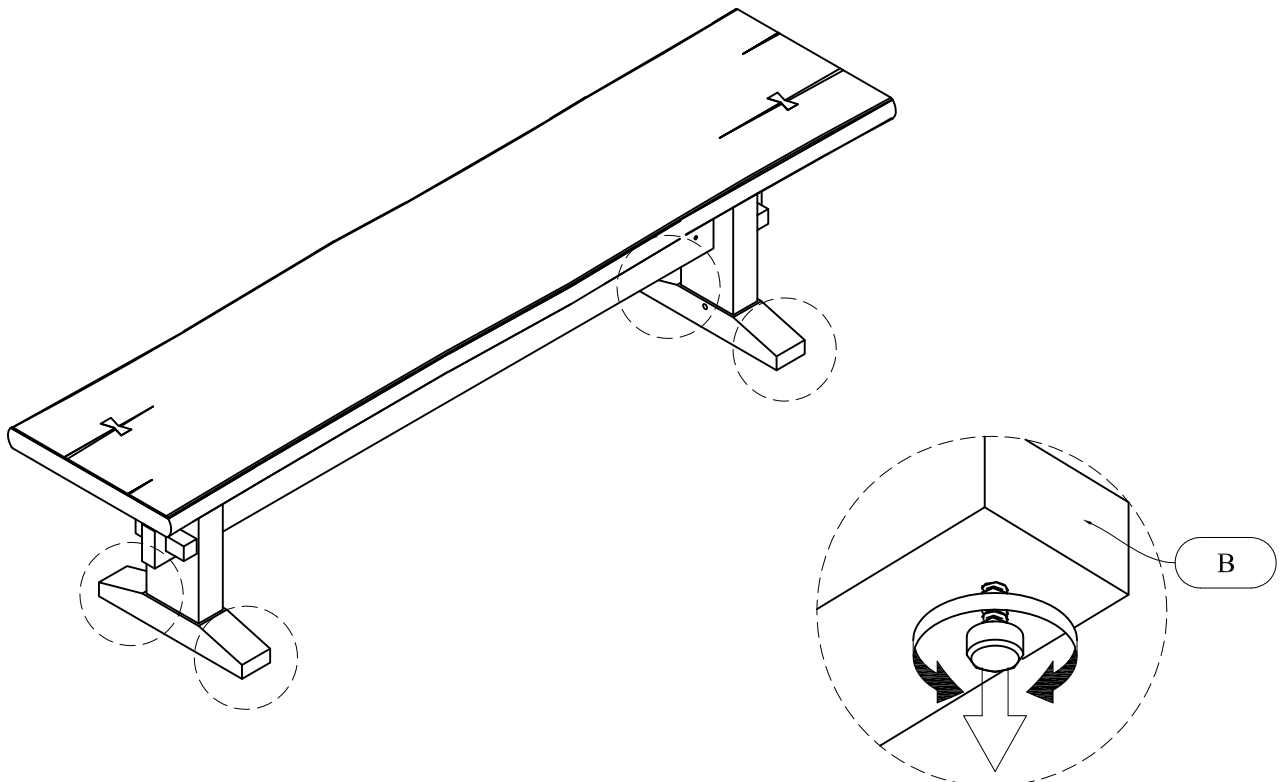
STEP 2



STEP 3



STEP 4



Adjustable Leveler

ASSEMBLY COMPLETED

