

COASTER[®]
FINE FURNITURE

122182

DINING CHAIR

ASSEMBLY INSTRUCTIONS
COASTER FINE FURNITURE



www.coastercompany.com

ASSEMBLY TIPS:

1. Remove hardware from box and sort by size.
2. Please check to see that all hardware and parts are present prior to start of assembly.
3. Please follow attached instructions in the same sequence as numbered to assure fast & easy assembly.

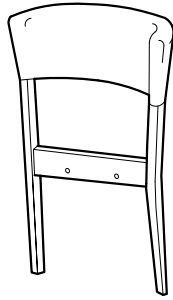


Warning!

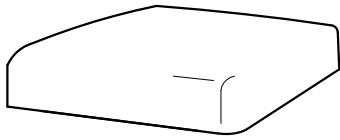
1. Don't attempt to repair or modify parts that are broken or defective. Please contact the store immediately.
2. This product is for home use only and not intended for commercial establishments.

PARTS IDENTIFICATION :

A) CHAIR BACK - 1PC



B) CUSHION SEAT WITH FRAME - 1PC

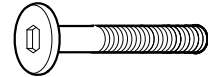


C) LEG - 4PCS

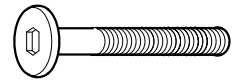


HARDWARE IDENTIFICATION :

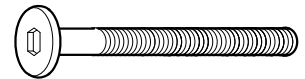
1.SHORT BOLT - 2PCS



2.MEDIUM BOLT - 4PCS



3. LONG BOLT - 4PCS



4. LOCK WASHER - 10PCS



5. FLAT WASHER - 10PCS



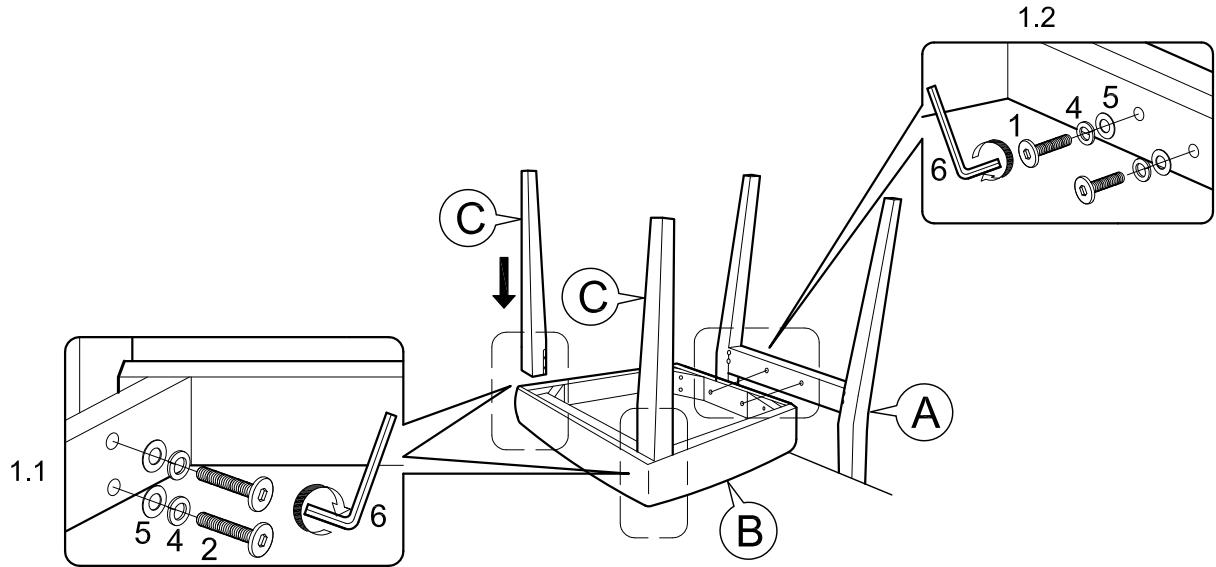
6. ALLEN WRENCH - 1PC



NOTE : QUANTITIES SHOWN ARE FOR ONE CHAIR

STEP 1

- 1.1) Align & fasten leg (C) to cushion seat with frame (B) using medium bolt (2), lock washer (4) & flat washer (5) and fully tighten with Allen wrench (6).
- 1.2) Align & fasten cushion seat with frame (B) to chair back bottom rail (A) using short bolt (1), lock washer (4) & flat washer (5) & flat washer (5). **DO NOT FULLY TIGHTEN AT THIS STEP.**



STEP 2

Align & fasten cushion seat with frame (B) to chair back leg (A) using long bolt (3), lock washer (4) & flat washer (5). **THEN FULLY TIGHTEN ALL THE BOLTS AT STEP 1.2 & 2 WITH ALLEN WRENCH (6).**

