

COASTER[®]
FINE FURNITURE

202081Q (B1 & B2)

QUEEN SIZE BED

ASSEMBLY INSTRUCTIONS
COASTER FINE FURNITURE



www.coastercompany.com

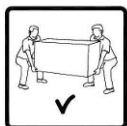
ASSEMBLY TIPS:

1. Remove hardware from box and sort by size
2. Please check to see that all hardware and parts are present prior to start of assembly.
3. Please follow attached instruction in the same sequence as numbered to assure fast & easy assembly.



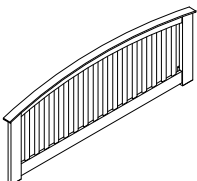
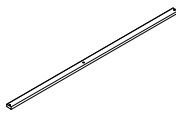
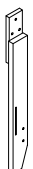


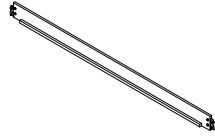
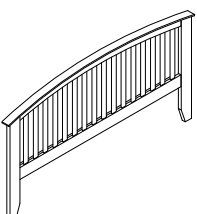
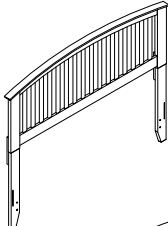
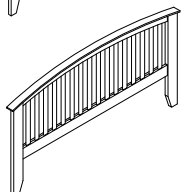
Warning!

1. Don't attempt to repair or modify parts that are broken or defective. Please contact the store immediately.
2. This product is for home use only and not intended for commercial establishment.



ASSEMBLY TIME 20 MINUTES







PARTS IDENTIFICATION

B1 (BOX 1)			B2 (BOX 2)		
A		HEADBOARD PANEL 1 PC	E		BED SLAT 4 PCS
B		LEFT HEADBOARD LEG 1 PC	F		BED SLAT SUPPORT WITH LEVELER 4 PCS
C		RIGHT HEADBOARD LEG 1 PC	G		BED RAIL 2PCS
D		FOOTBOARD 1 PC	HB		202081Q (B1) * FROM BOX 1 HEADBOARD COMPLETE 1 PC
			D		202081Q (B2) * FROM BOX 2 FOOTBOARD 1 PC

HARDWARE IDENTIFICATION

Z - B1 (BOX 1) - Hardware pack is located in 202081Q (B1)

Z - B2 (BOX 2) - Hardware pack is located in 202081Q (B2)

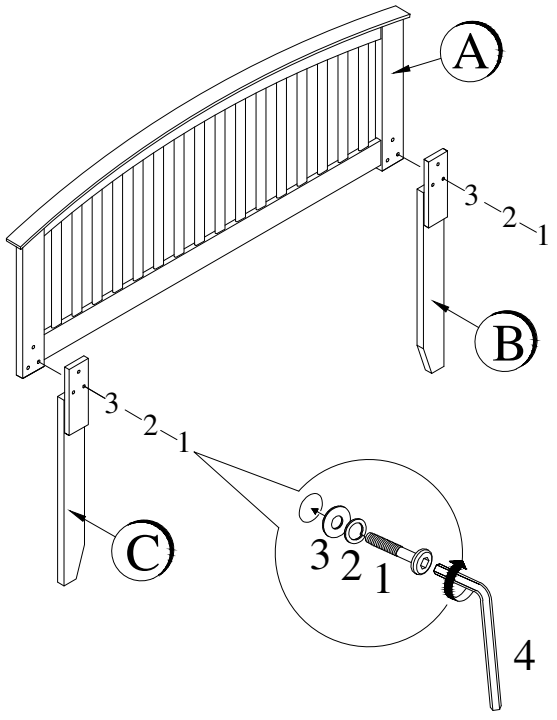
1		BOLT 6 PCS	5		PAN HEAD SCREW 8 PCS
2		LOCK WASHER 6 PCS	6		ADJUSTER 4 PCS
3		FLAT WASHER 6 PCS			
4		ALLEN WRENCH 1 PC			

NOTE : PHILLPS HEAD SCREW DRIVER IS REQUIRED IN THE ASSEMBLY PROCESS; HOWEVER MANUFACTURER DOES NOT PROVIDE THIS ITEM.

202081Q (B1) - BOX 1

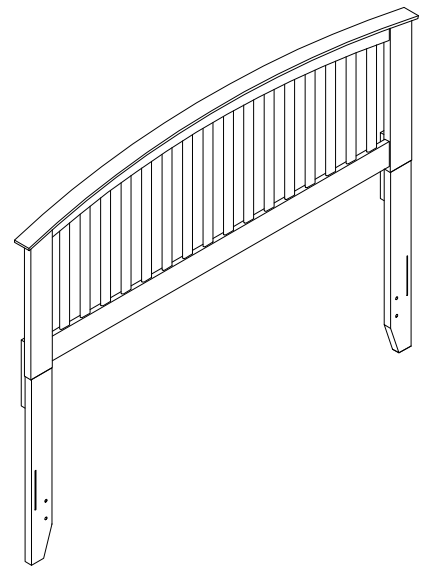
STEP 1

BACK VIEW



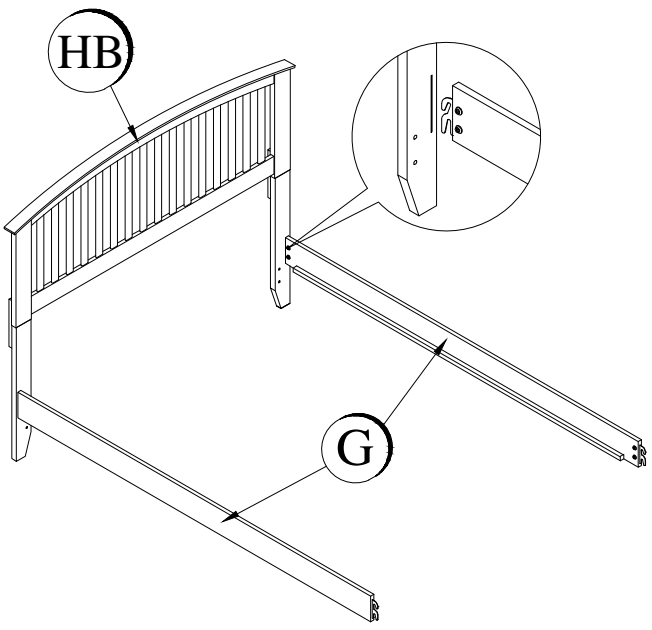
STEP 2

Complete.

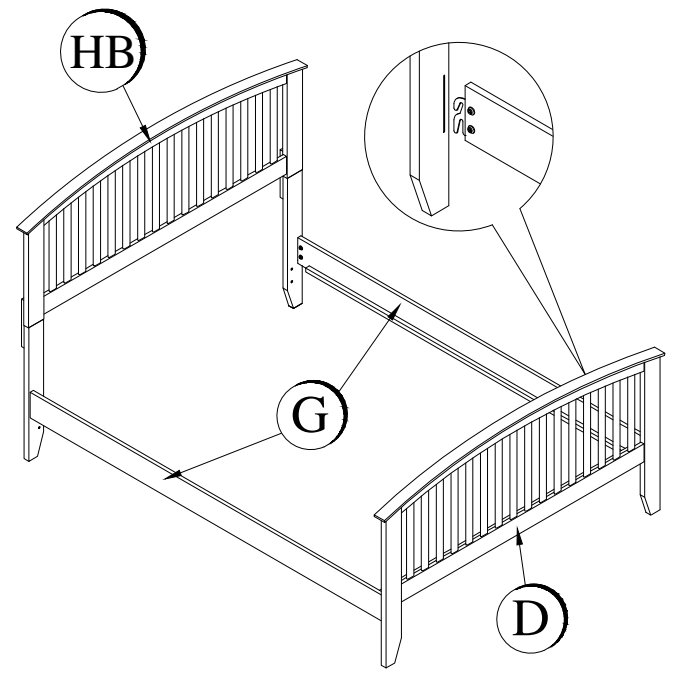


202081Q (B1 & B2) - BOX 1 & BOX 2

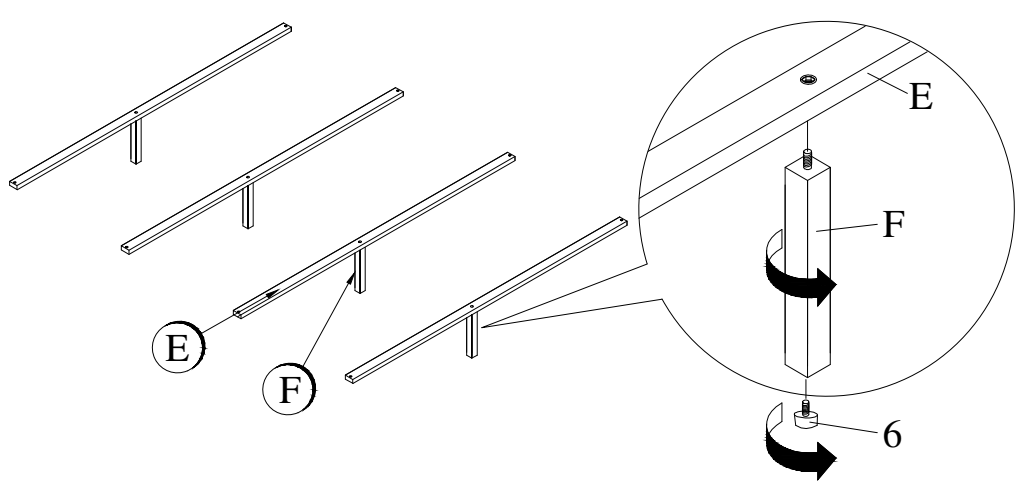
STEP 3



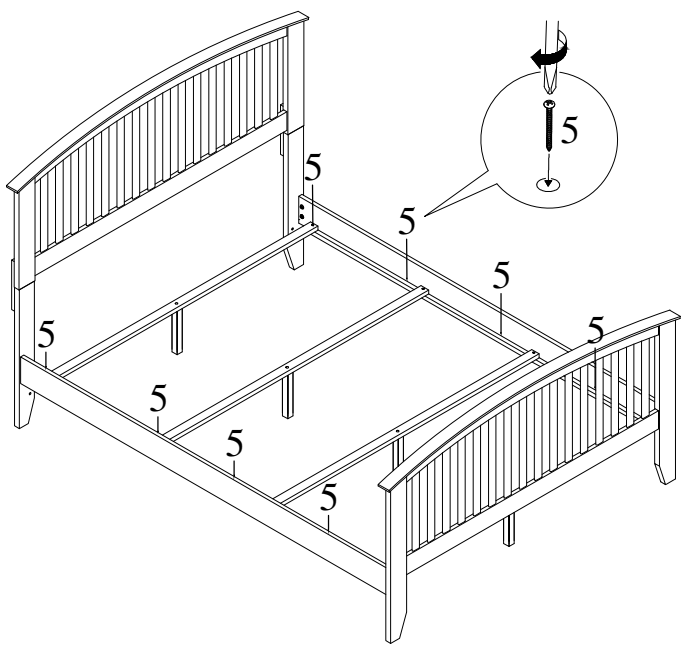
STEP 4



STEP 5



STEP 6



STEP 7
Complete.

