

**COASTER**  
FINE FURNITURE

**202392**

**NIGHT STAND**

---

**ASSEMBLY INSTRUCTIONS**  
**COASTER FINE FURNITURE**



[www.coastercompany.com](http://www.coastercompany.com)

**ASSEMBLY TIPS**

- 1. Remove hardware from box and sort by size.
- 2. Please check to see that all hardware and parts are present prior to start of assembly.
- 3. Please follow attached instruction in the same sequence as numbered to assure fast & easy assembly.



**Warning !**

- 1. Don't attempt to repair or modify parts that are broken or defective. Please contact the store immediately.
- 2. This product is for home use only and not intended for commercial establishment.

**PARTS IDENTIFICATION**

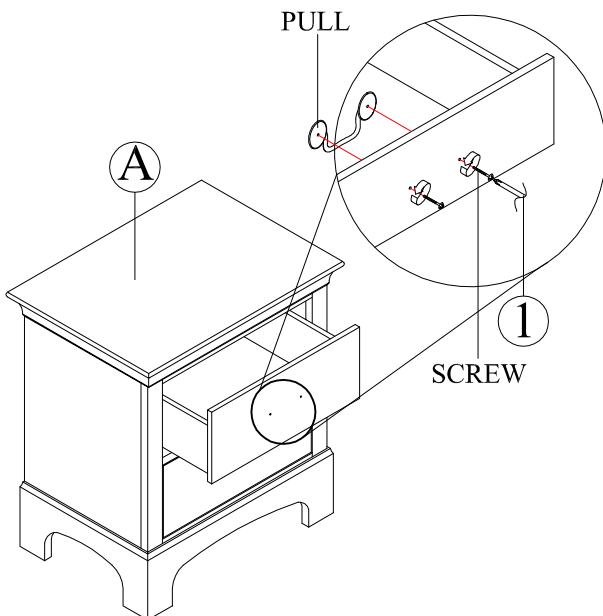


**HARDWARE IDENTIFICATION**



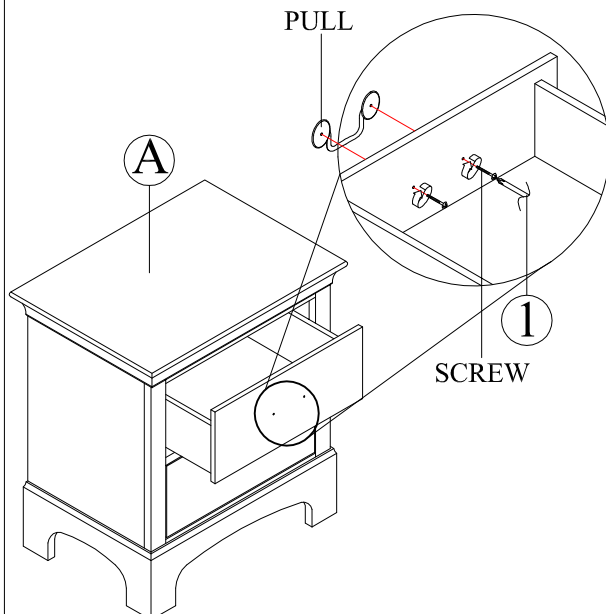
**NOTE : MANUFACTURER DOES NOT PROVIDE ITEM 1**

**STEP 1**



Unscrew drawer pull from the back of drawer front using screw driver (not provided)

**STEP 2**



Align and fasten drawer pull to drawer front using screw and tighten with screw driver (not provided).