

COASTER[®] 202882

FINE FURNITURE

NIGHT STAND

ASSEMBLY INSTRUCTIONS
COASTER FINE FURNITURE

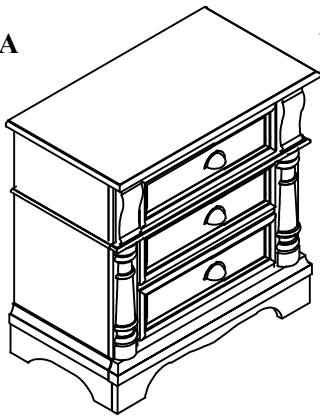


www.coastercompany.com

ANTI - TIPPING KIT

PARTS IDENTIFICATION

A



NIGHT STAND 1PC

HARDWARE IDENTIFICATION

1		L- BRACKET	2PCS
2		CABLE TIE	1PC
3		LONG SCREW	1PC
4		SHORT SCREW	1PC
5		PLASTIC ANCHOR	1PC

STEP 1

- 1.1 Attach one of the mounting brackets securely to the back edge of the night stand. Use the short screw.
- 1.2 Determine where the night stand is to be placed and mark location on the wall for the mounting bracket screw hole approximately 2" below the bracket mounted to the edge of the night stand.
- 1.3 Drill a 3/16" hole in the wall. Press the plastic anchor into the hole and gently tap until the flange on the anchor is against the wall surface
- 1.4 Position the bracket and use the long screw to securely attach the bracket to the wall
- 1.5 Place the night stand so the bracket on the back edge is in line with the bracket on the wall.
- 1.6 Lace an end of the cable tie down through each bracket. Bring both ends together and slide the beaded end of the cable tie through the keyhole shaped slot on the other end until snug. Pull down on the beaded end until it snap locks into the keyhole slot.
- 1.7 To double lock return the beaded end back through the keyhole as shown.
- 1.8 Check to make sure the cable tie is securely laced and locked to the brackets.

