

COASTER[®]
FINE FURNITURE

202883 & 202884

DRESSER & MIRROR

ASSEMBLY INSTRUCTIONS
COASTER FINE FURNITURE



www.coastercompany.com

ASSEMBLY TIPS:

1. Remove hardware from box and sort by size
2. Please check to see that all hardware and parts are present prior to start of assembly.
3. Please follow attached instruction in the same sequence as numbered to assure fast & easy assembly.



Warning!

1. Don't attempt to repair or modify parts that are broken or defective. Please contact the store immediately.
2. This product is for home use only and not intended for commercial establishment

PARTS IDENTIFICATION

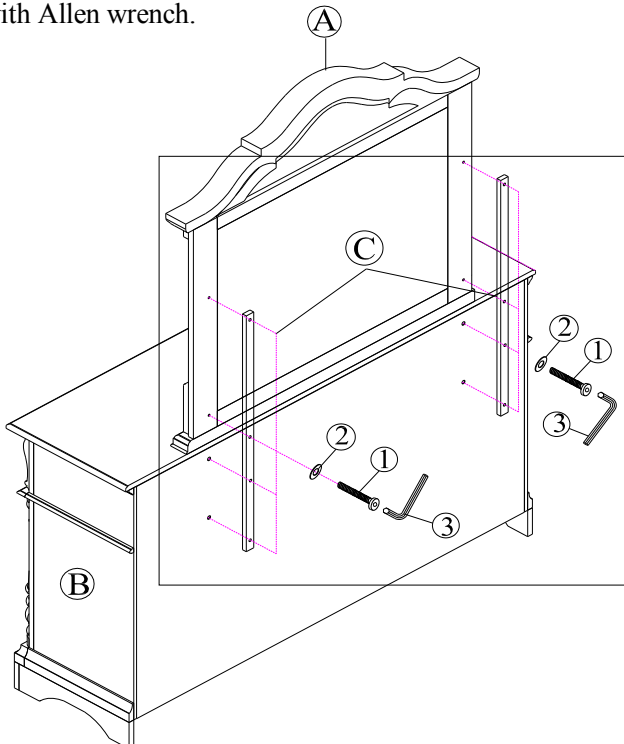
A		MIRROR	1PC
B		DRESSER	1PC
C		MIRROR SUPPORT (PACKED WITH DRESSER)	2PCS

HARDWARE IDENTIFICATION

1		BOLT	6PCS
2		FLAT WASHER	6PCS
3		ALLEN WRENCH	1PC

STEP 1

Loosen the bolt. Turn the mirror support upright. Place mirror on top of dresser. Then align and fasten mirror support to mirror and dresser using bolt and flat washer .Tighten with Allen wrench.



STEP 2

Complete

