

COASTER[®]
FINE FURNITURE

203193 & 203194

DRESSER AND MIRROR

ASSEMBLY INSTRUCTIONS
COASTER FINE FURNITURE



www.coastercompany.com

ASSEMBLY TIPS:


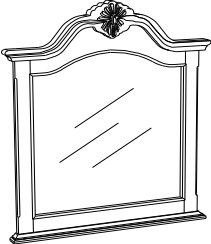
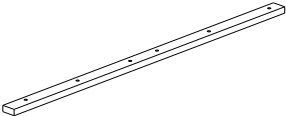
1. Remove hardware from box and sort by size.
2. Please check to see that all hardware and parts are present prior to start of assembly.
3. Please follow attached instruction in the same sequence as numbered to assure fast & easy assembly.



Warning!

1. Don't attempt to repair or modify parts that are broken or defective. Please contact the store immediately.
2. This product is for home use only and not intended for commercial establishment.

PARTS IDENTIFICATION

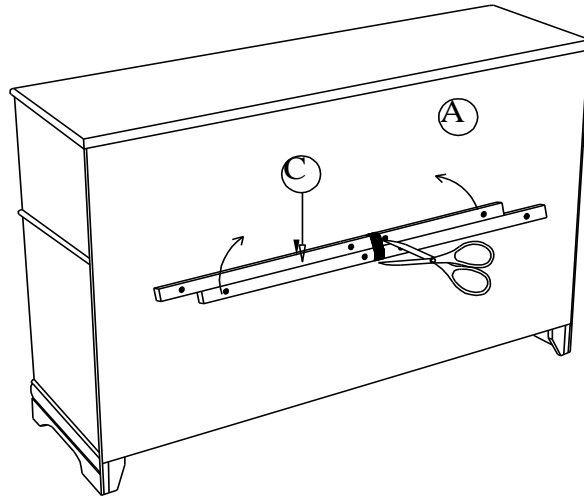
A		DRESSER	1PC
B		MIRROR	1PC
C		MIRROR SUPPORT (PACKED WITH DRESSER)	2PCS

HARDWARE IDENTIFICATION

1		SCREW	10PCS
----------	---	-------	-------

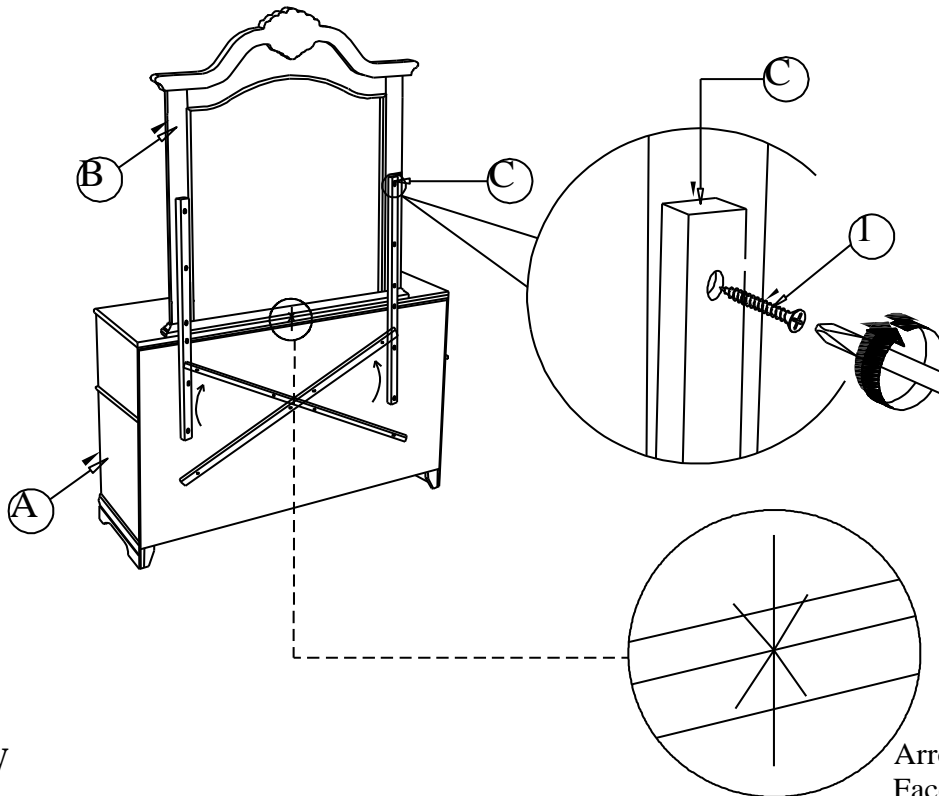
STEP 1

Cut off the string that secures the mirror supports.(Pre-installed at the back of dresser).Turn the mirror supports upright.



STEP 2

Place the mirror on top of dresser,then adjust the arrow mark on the center of mirror with the arrow mark on the center of dresser. Align and fasten mirror support to mirror using screw and tighten with screw driver (not included).

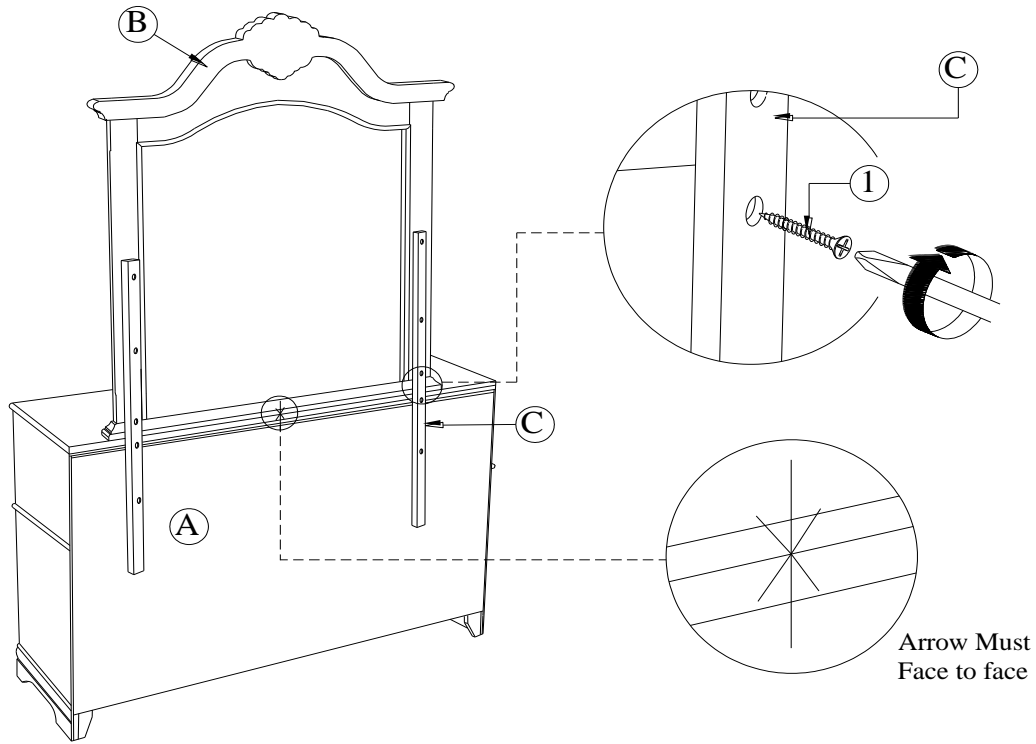


****BACK VIEW**

Arrow Must
Face to face

STEP 3

Align and fasten mirror support to dresser using screw and tighten with screw driver (not included).



COMPLETE

