

ASSEMBLY INSTRUCTIONS
COASTER FINE FURNITURE



www.coastercompany.com

ASSEMBLY TIPS:

- 1 . Remove hardware from box and sort by size.
- 2 . Please check to see that all hardware and parts are present prior to start of assembly.
- 3 . Please follow attached instructions in the same sequence as numbered to ensure fast & easy assembly.

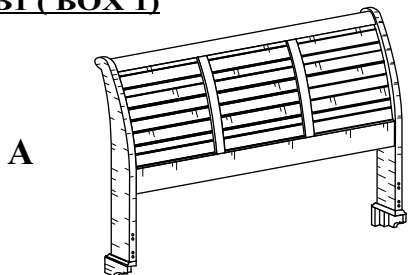


Warning !

- 1 . Don't attempt to repair or modify parts that are broken or defective. Please contact the store immediately.
- 2 . This product is for home use only and not intended for commercial establishment.

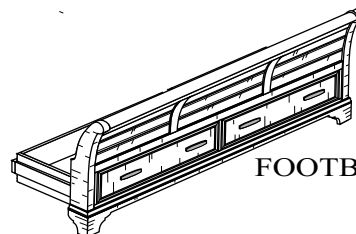
PARTS IDENTIFICATION

B1 (BOX 1)



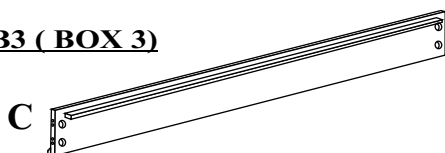
A HEADBOARD 1 PC.

B2 (BOX 2)

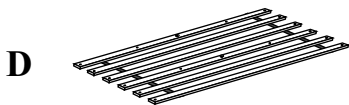


B FOOTBOARD 1 PC.

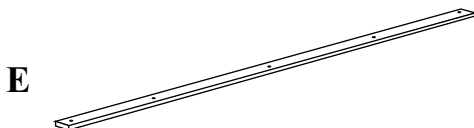
B3 (BOX 3)



C BED RAIL 2 PCS.



D ROLL SLATS (6 PCS.) 2 SETS



E CENTER RAIL 1 PC.



F CENTER RAIL SUPPORT WITH LEVELER 4 PCS.



G BED SLATS SUPPORT WITH LEVELER 8 PCS.



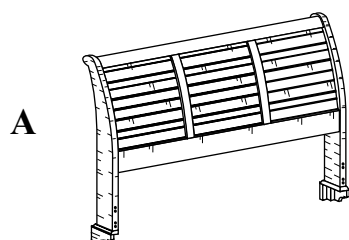
H CENTER RAIL END SUPPORT 1 PC.



I FOOTBOARD SUPPORT LEG WITH LEVELER 2 PCS.

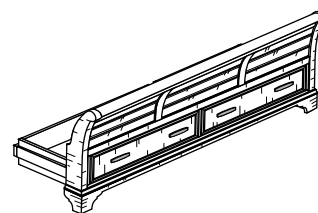


J CONCEAL PANEL 2 PCS.



203891 KE (B1)
* FROM BOX 1
HEADBOARD

B



203891 KE (B2)
* FROM BOX 2
FOOTBOARD

ASSEMBLY TIPS:

- 1 . Remove hardware from box and sort by size.
- 2 . Please check to see that all hardware and parts are present prior to start of assembly.
- 3 . Please follow attached instructions in the same sequence as numbered to ensure fast & easy assembly.

**Warning !**

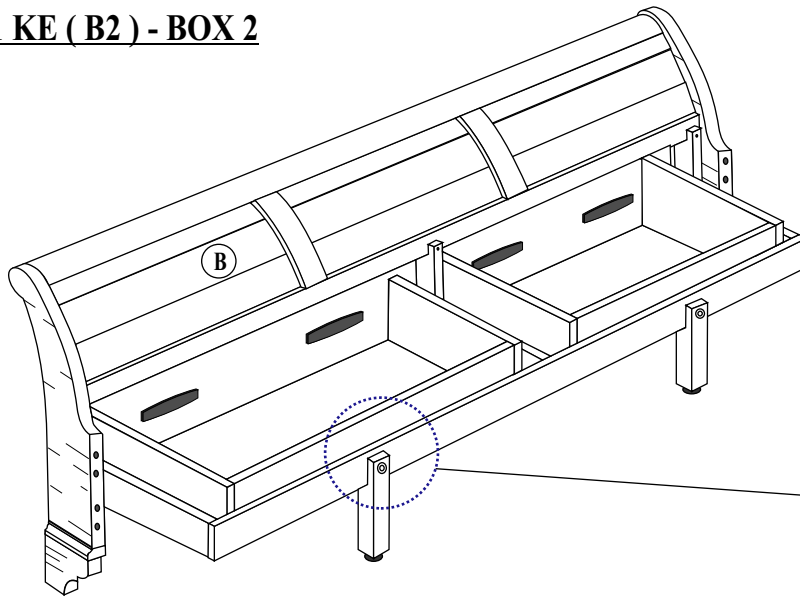
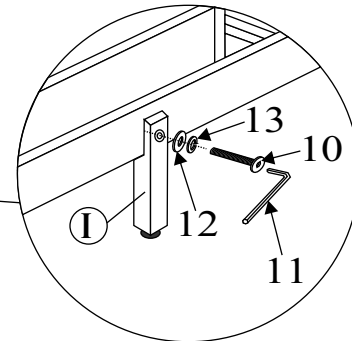
- 1 . Don't attempt to repair or modify parts that are broken or defective. Please contact the store immediately.
- 2 . This product is for home use only and not intended for commercial establishment.

HARDWARE IDENTIFICATION

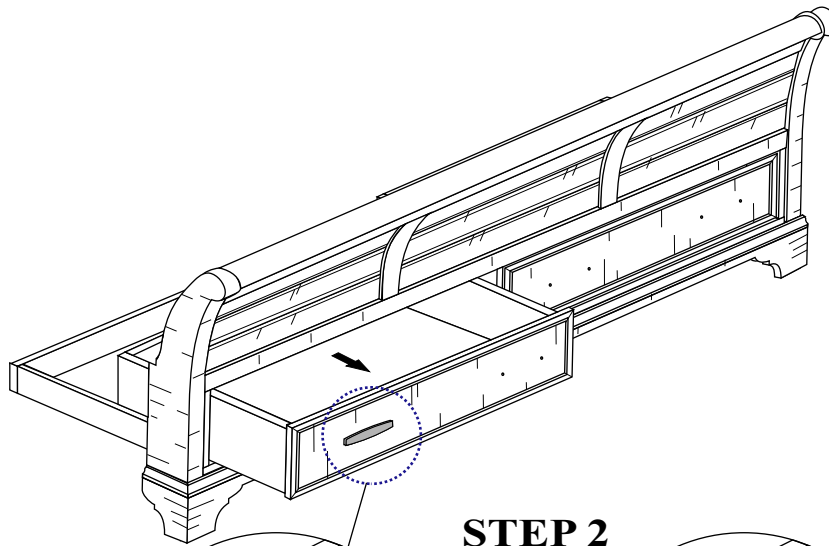
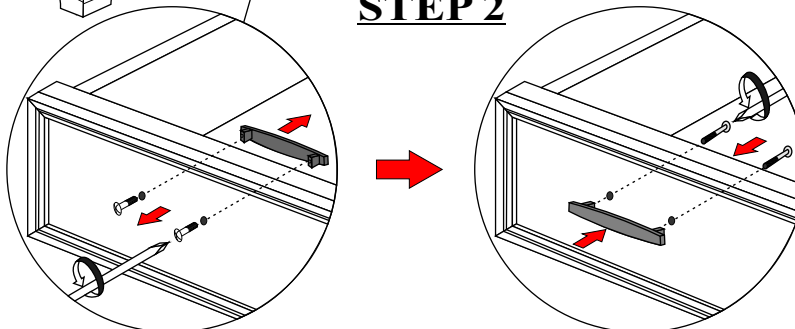
**Z- B3 (BOX 3) - HARDWARE PACK IS
LOCATED IN 203891 KE (B3)**

1		THREADED BOLT	8 PCS.
2		WOOD DOWEL	8 PCS.
3		U WASHER	8 PCS.
4		SMALL FLAT WASHER	8 PCS.
5		HEX NUT	8 PCS.
6		WRENCH	1 PC.
7		LONG SCREW	24 PCS.
8		SHORT SCREW	8 PCS.
9		LONG BOLT	4 PCS.
10		SHORT BOLT	2 PCS.
11		ALLEN WRENCH	1 PC.
12		LARGE FLAT WASHER	2 PCS.
13		LOCK WASHER	2 PCS.

NOTE : PHILLIPS HEAD SCREW DRIVER IS REQUIRED IN THE ASSEMBLY PROCESS. HOWEVER, MANUFACTURER DOES NOT PROVIDE THIS ITEM.

203891 KE (B2) - BOX 2**STEP 1****STEP 1**

Align & fasten footboard support leg with leveler (I) to footboard (B) using short bolt (10), lock washer (13) & large flat washer (12) and fully tighten with Allen wrench (11).

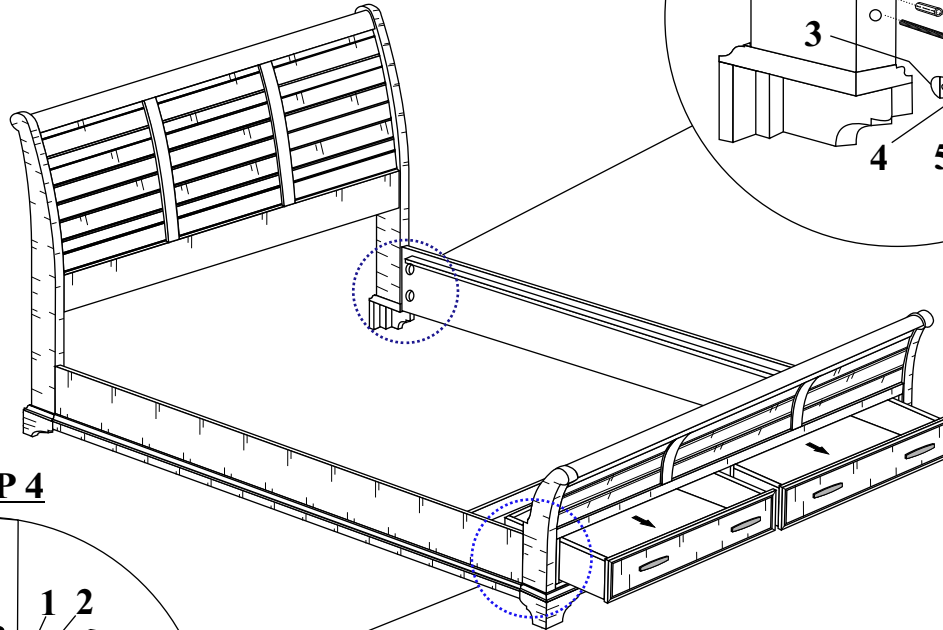
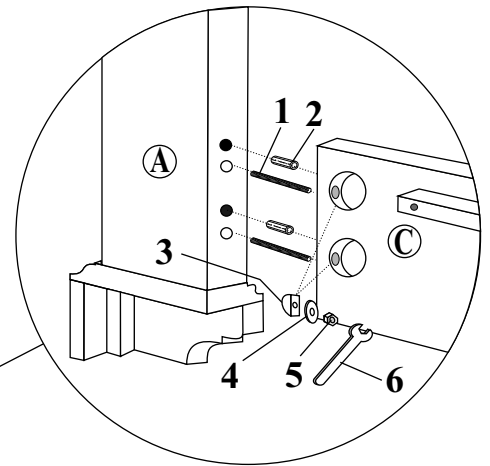
**STEP 2****STEP 2**

- 2.1) Unscrew the pull from the back of drawer front.
- 2.2) Align & fasten the pull to drawer front using screw and fully tighten with Phillips head screw driver (NOT INCLUDED)

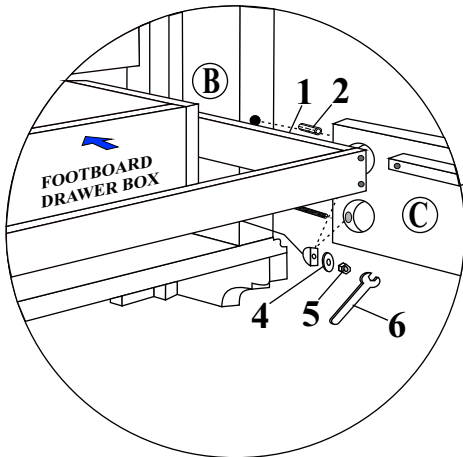
203891 KE (B1- B3) - BOX 1 TO BOX 3

STEP 3

- 3.1) Screw in threaded bolt (1) to headboard (A) leg.
- 3.2) Insert wood dowel (2) to the end of bed rail (C).
- 3.3) Align & fasten bed rail (C) to headboard (A) leg using U washer (3), small flat washer (4) & hex nut (5) and fully tighten with wrench (6).

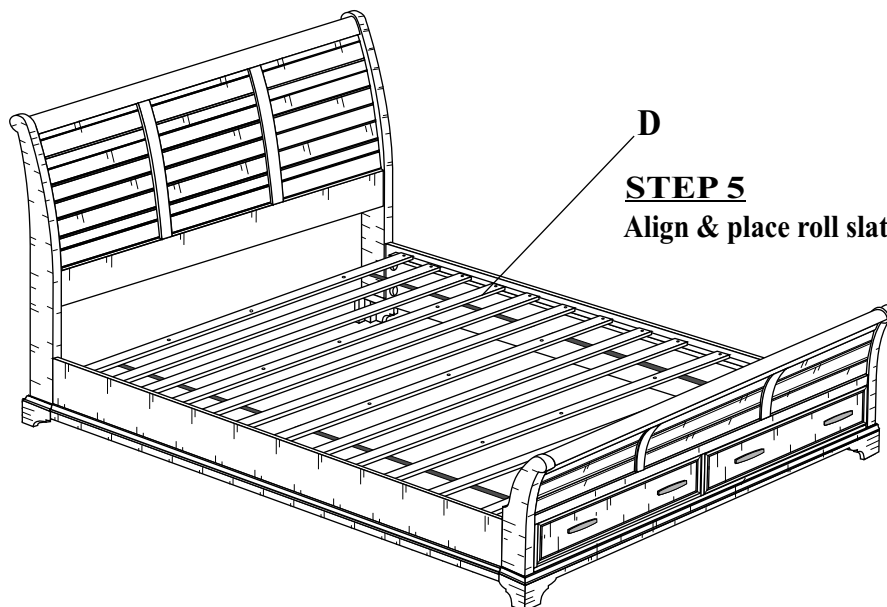


STEP 4



STEP 4

- 4.1) Screw in threaded bolt (1) to footboard (B).
- 4.2) Insert wood dowel (2) to the other end of bed rail (C).
- 4.3) Pull out footboard (B) drawer. Align & fasten bed rail (C) to footboard (B) using U washer (3), small flat washer (4) & hex nut (5) and fully tighten with wrench (6).



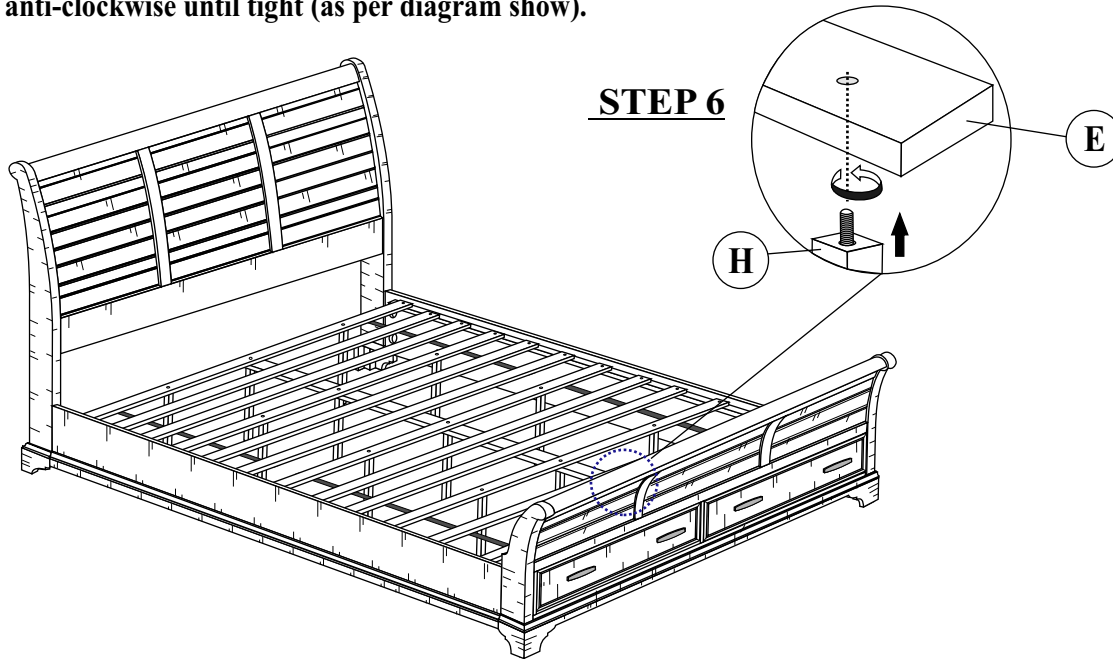
D

STEP 5

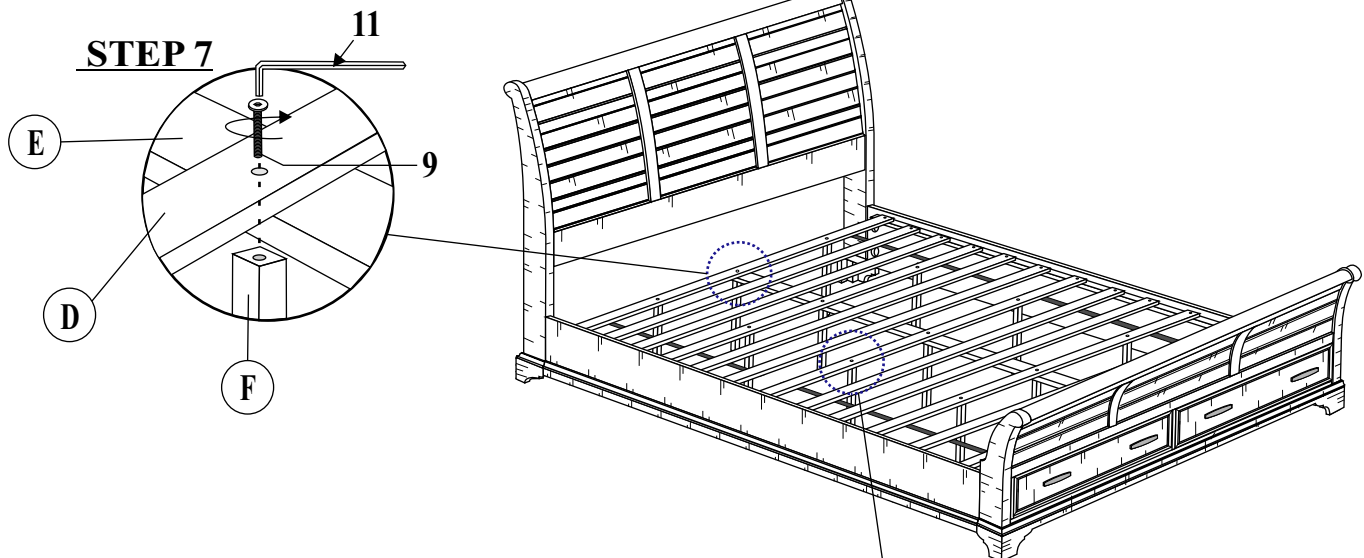
Align & place roll slats (D) onto bed rail (C).

STEP 6

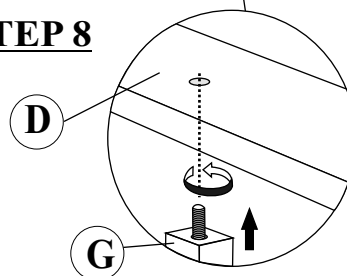
Align & fasten center rail end support (H) to center rail (E) by turning anti-clockwise until tight (as per diagram show).

**STEP 7**

Align & fasten center rail support with leveler (F) to center rail (E) & roll slats (D) using long bolt (9) and fully tighten with Allen wrench (11).

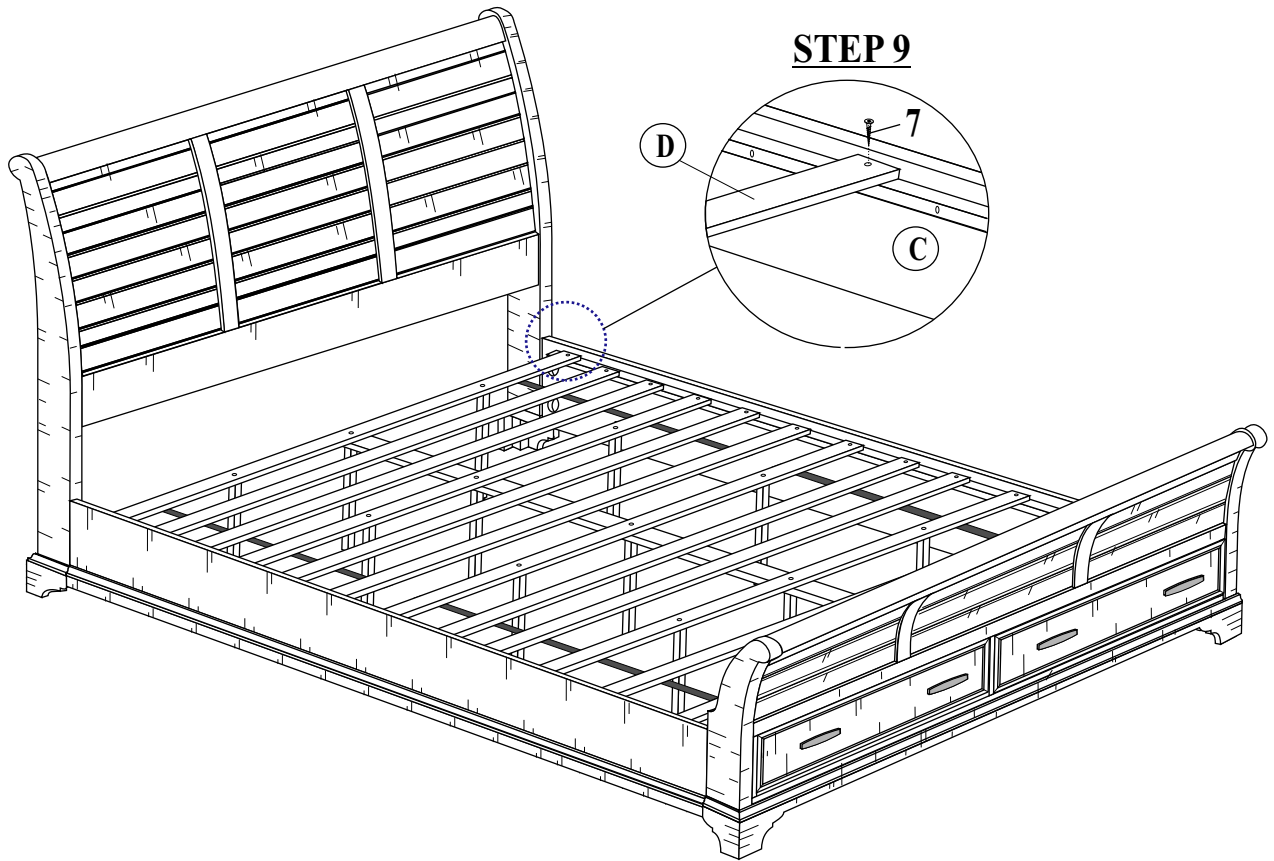
**STEP 8**

Align & fasten bed slats support with leveler (G) to roll slats (D) by turning anti-clockwise until tight. (as per diagram shown)



STEP 9

Align & fasten roll slats (D) to bed rail (C) using long screw (7) and fully tighten with Phillips head screw driver. (NOT INCLUDED)



STEP 10

STEP 10

Align & fasten conceal panel (J) to roll slats (D) using short screw (8) and fully tighten with Phillips head screw driver. (NOT INCLUDED)

