

ASSEMBLY INSTRUCTIONS
COASTER FINE FURNITURE



ASSEMBLY TIPS:

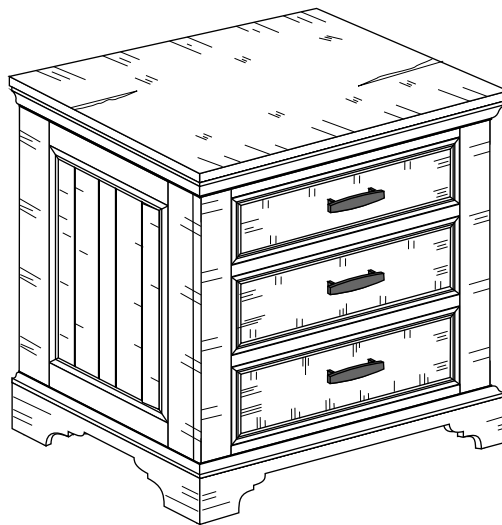
- 1 . Remove hardware from box and sort by size.
- 2 . Please check to see that all hardware and parts are present prior to start of assembly.
- 3 . Please follow attached instructions in the same sequence as numbered to ensure fast & easy assembly.

**Warning !**

- 1 . Don't attempt to repair or modify parts that are broken or defective. Please contact the store immediately.
- 2 . This product is for home use only and not intended for commercial establishment.

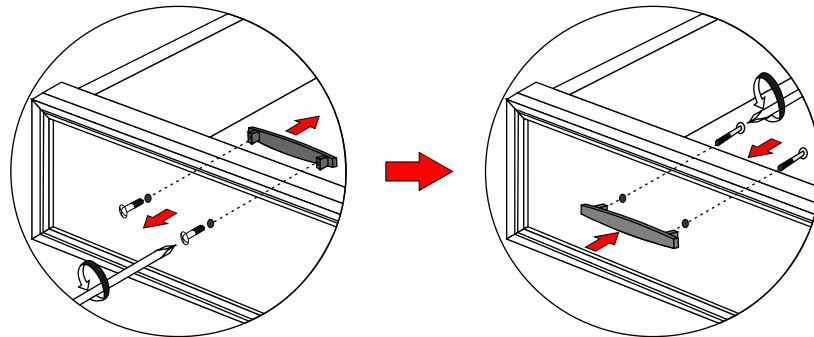
PARTS IDENTIFICATION

A. NIGHT STAND



1 SET

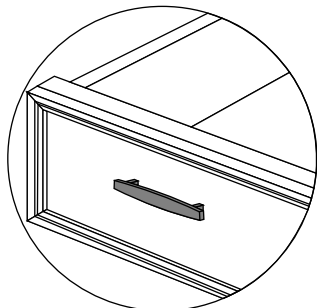
NOTE: PHILLIPS HEAD SCREW DRIVER IS REQUIRED IN THE ASSEMBLY PROCESS; HOWEVER MANUFACTURER DOES NOT PROVIDE THIS ITEM.

**STEP 1**

- 1.1) Unscrew the pull from the back of drawer front.
- 1.1) Align & fasten the pull to drawer front using screw and fully tighten with Phillips head screw driver (NOT INCLUDED)

STEP 2

Complete

**NOTE: POWER BAR**