

COASTER
FINE FURNITURE

203961Q (B1 & B2)

QUEEN SIZE BED

ASSEMBLY INSTRUCTIONS

COASTER FINE FURNITURE



www.coastercompany.com

PAGE 1 OF 4 REVISION 0 : 07 / 25 / 2011
REVISION 1 : 08 / 10 / 2011
REVISION 2 : 09 / 14 / 2011
REVISION 3 : 01 / 16 / 2012
REVISION 4 : 10 / 20 / 2016

ASSEMBLY TIPS

1. Remove hardware from box and sort by size.
2. Please check to see that all hardware and parts are present prior to start of assembly.
3. Please follow attached instruction in the same sequence as numbered to assure fast & easy assembly.



Warning !

1. Don't attempt to repair or modify parts that are broken or defective. Please contact the store immediately.
2. This product is for home use only and not intended for commercial establishment.

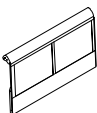

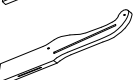
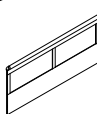
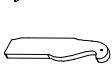
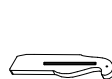


ASSEMBLY TIME

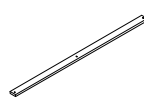
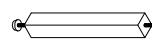
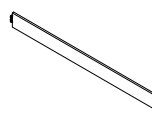
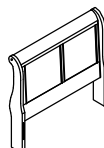
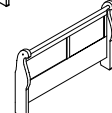
30 MINUTES

PARTS IDENTIFICATION

B1 (BOX 1)







A		HEADBOARD PANEL	1PC
B		LEFT HEADBOARD LEG	1PC
C		RIGHT HEADBOARD LEG	1PC
D		FOOTBOARD PANEL	1PC
E		LEFT FOOTBOARD LEG	1PC
F		RIGHT FOOTBOARD LEG	1PC

B2 (BOX 2)

G		BED SLAT	4PCS
H		BED SLAT SUPPORT WITH LEVELER	4PCS
I		BED RAIL	2PCS
HB		203961Q (B1) * FROM BOX 1 HEADBOARD COMPLETE	1PC
FB		203961Q (B1) * FROM BOX 1 FOOTBOARD COMPLETE	1PC

HARDWARE IDENTIFICATION

Z - B1 (BOX 1) - HARDWARE PACK IS LOCATED IN 203961Q (B1)

1		BOLT	12PCS
2		LOCK WASHER	12PCS
3		SMALL FLAT WASHER	4PCS
4		BIG FLAT WASHER	8PCS
5		WOOD PLUG	4PCS
6		ALLEN WRENCH	1PC

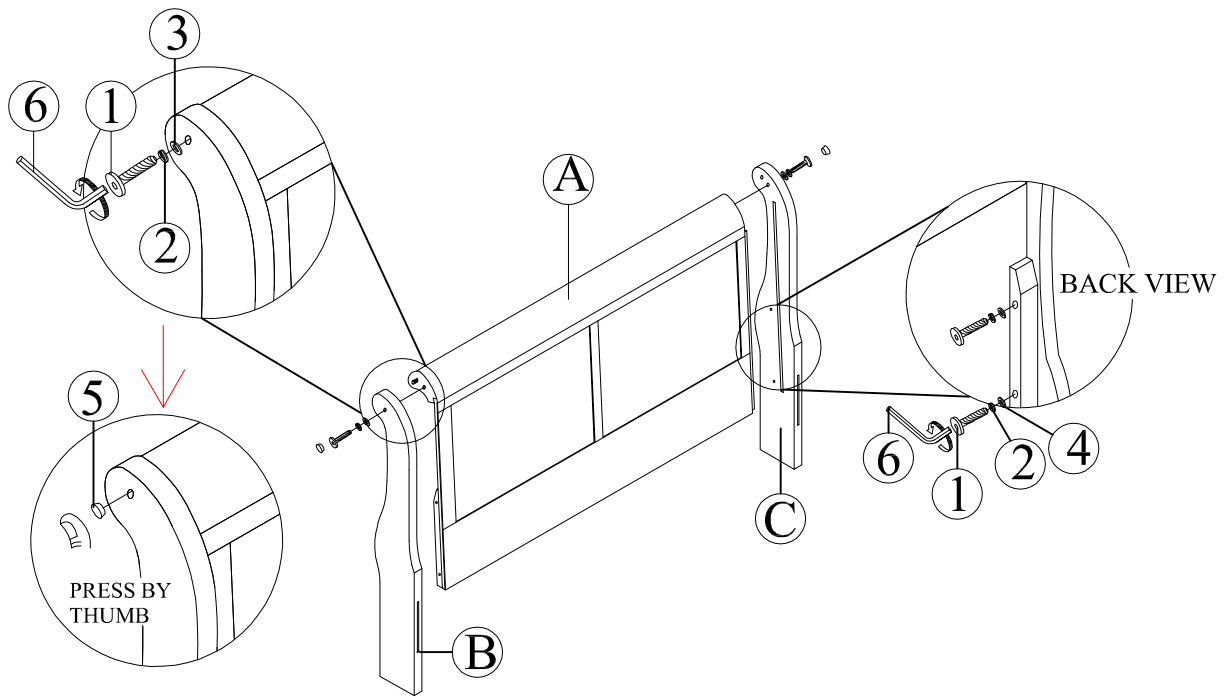
Z - B2 (BOX 2) - HARDWARE PACK IS LOCATED IN 203961Q (B2)

7		FLAT HEAD SCREW	8PCS
----------	---	-----------------	------

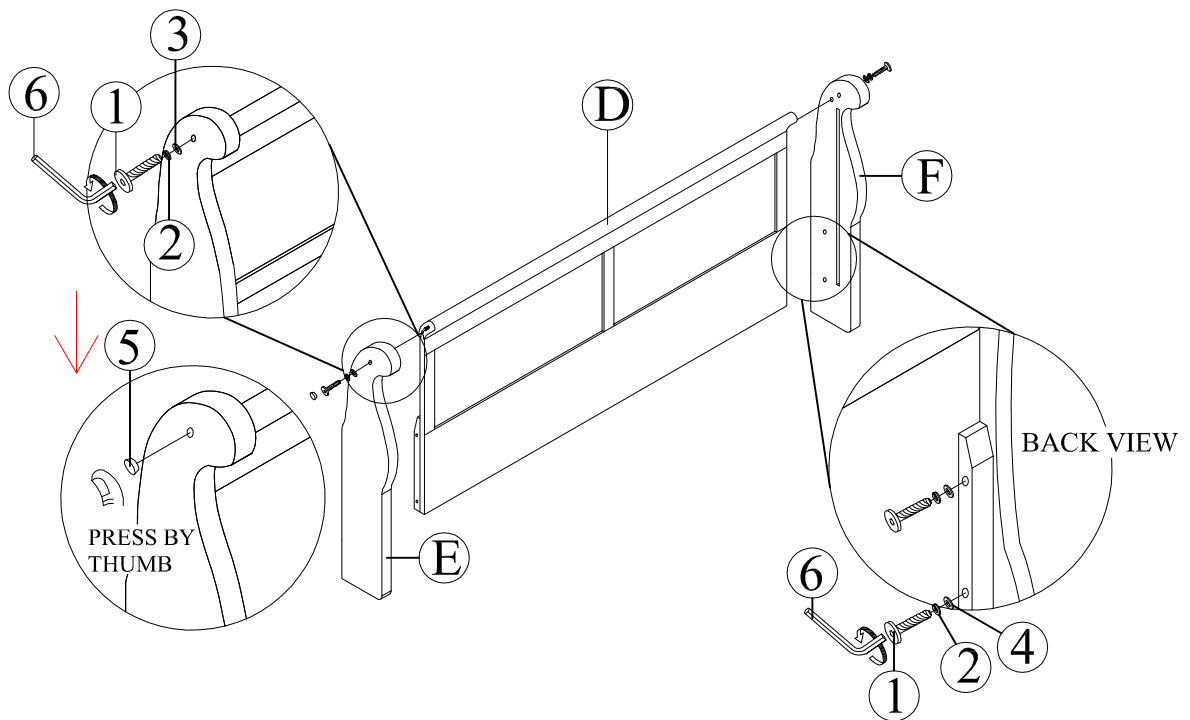
NOTE : PHILLIPS HEAD SCREW DRIVER IS REQUIRED IN THE ASSEMBLY PROCESS; HOWEVER MANUFACTURER DOES NOT PROVIDE THIS ITEM.

203961Q (B1) - BOX1

STEP 1

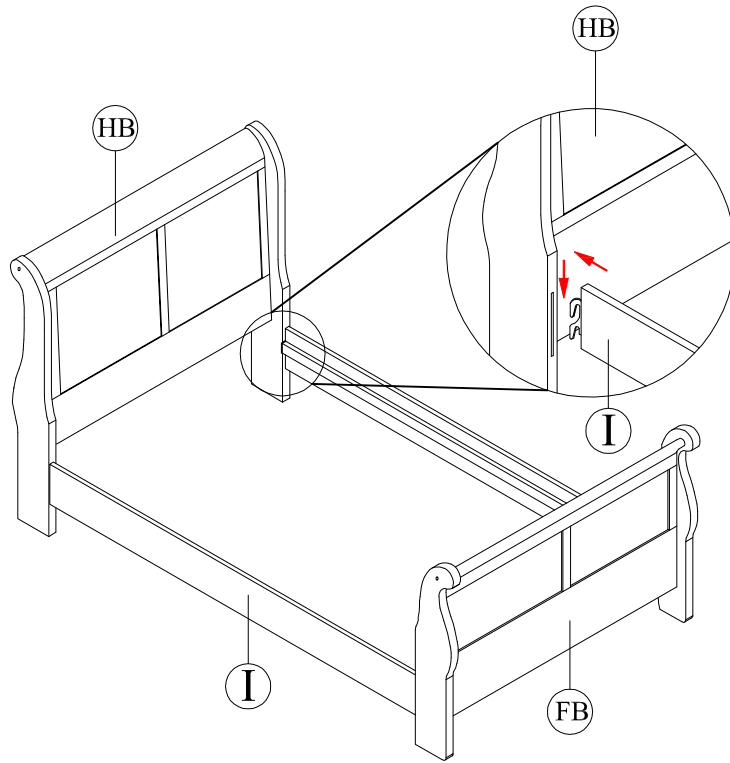


STEP 2



203961Q (B1 & B2) - BOX1 & BOX2

STEP 3



STEP 4

