

ASSEMBLY INSTRUCTIONS
COASTER FINE FURNITURE



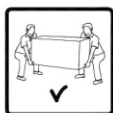
ASSEMBLY TIPS:

- 1 . Remove hardware from box and sort by size.
- 2 . Please check to see that all hardware and parts are present prior to start of assembly.
- 3 . Please follow attached instructions in the same sequence as numbered to ensure fast & easy assembly.



Warning !

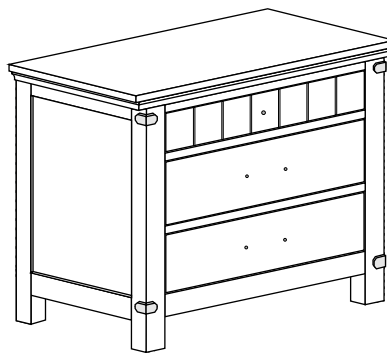
- 1 . Don't attempt to repair or modify parts that are broken or defective. Please contact the store immediately.
- 2 . This product is for home use only and not intended for commercial establishment.



ASSEMBLY TIME	5 MINUTES
---------------	-----------

PARTS IDENTIFICATION

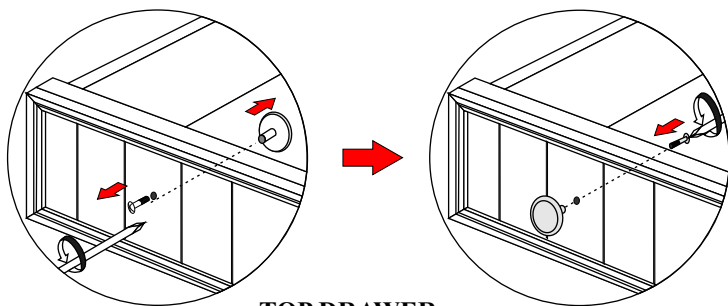
A. NIGHT STAND



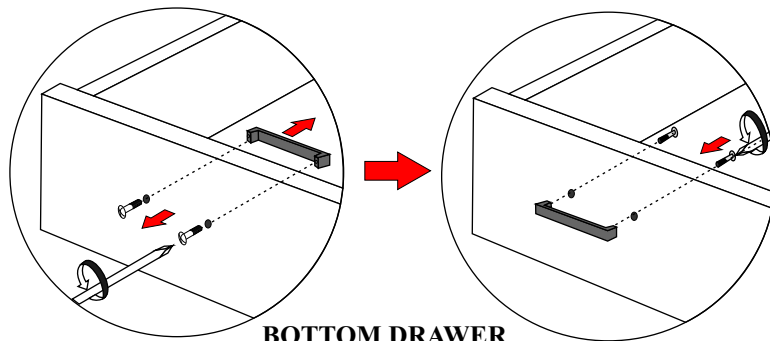
1 SET

NOTE: PHILLIPS HEAD SCREW DRIVER IS REQUIRED IN THE ASSEMBLY PROCESS. HOWEVER MANUFACTURER DOES NOT PROVIDE THIS ITEM.

STEP 1

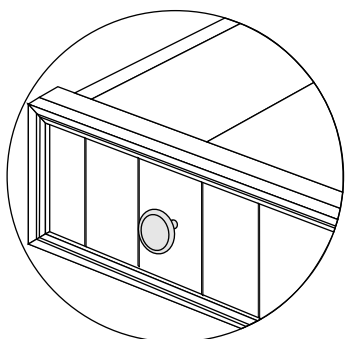


TOP DRAWER

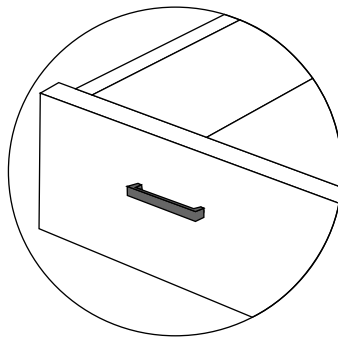


BOTTOM DRAWER

STEP 2
Complete



TOP DRAWER



BOTTOM DRAWER

