

COASTER[®]
FINE FURNITURE

300200F

FULL SIZE BED

ASSEMBLY INSTRUCTION
COASTER FINE FURNITURE



www.coastercompany.com

2011/12/20

ASSEMBLY INSTRUCTIONS

ASSEMBLY TIPS:

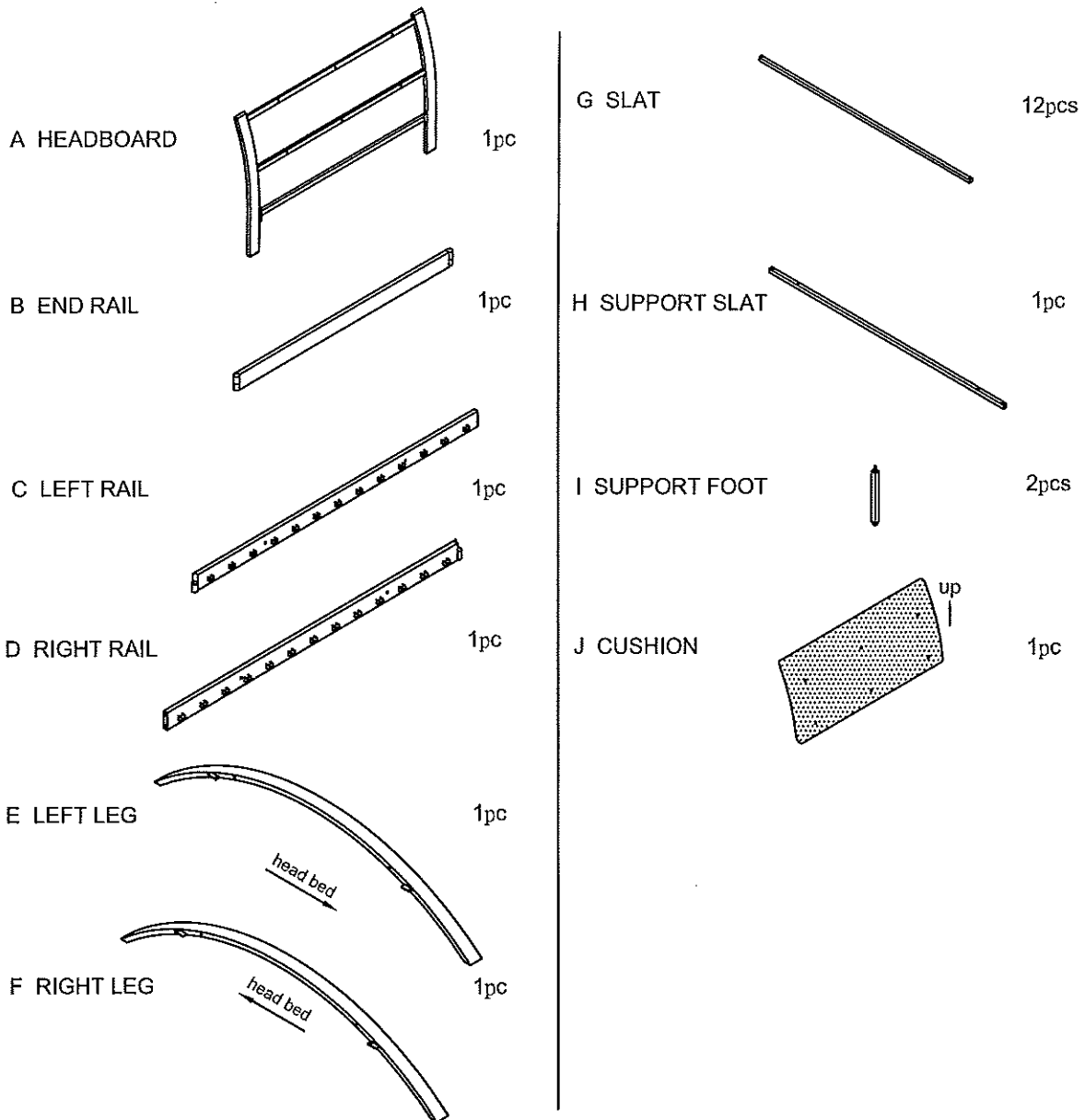
1. Remove hardware from box and sort by size.
2. Please check to see that all hardware and parts are present prior start of assembly.
3. Please follow attached instructions in the same sequence as numbered to assure fast & easy assembly.









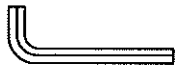
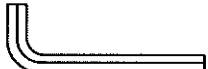
Warning !

1. Don't attempt to repair modify parts that are broken or defective . Please contact the store immediately.
2. This product is for home use only and not intended for commercial establishment.

PARTS IDENTIFICATION






PARTS IDENTIFICATION

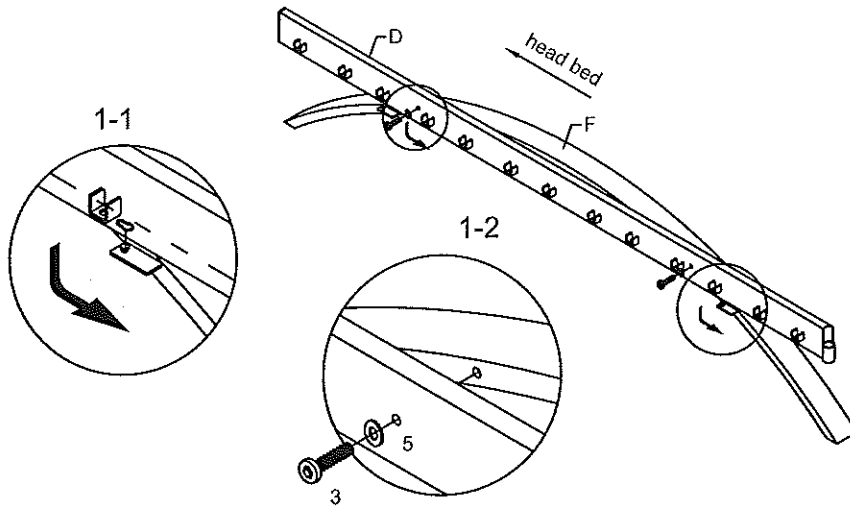
Z	HARDWARE PACKAGE		
NO	DESCRIPTION	FIGURE	Q`TY
1	BOLT $\frac{1}{4} \times \frac{3}{8}$ "		2PCS
2	BOLT $\frac{1}{4} \times 1\frac{1}{4}$ "		6pcs
3	BOLT $\frac{1}{4} \times 1\frac{1}{2}$ "		4pcs
4	BOLT $\frac{5}{16} \times \frac{5}{8}$ "		6pcs
5	SMALL WASHER		12pcs
6	LARGE WASHER		6pcs
7	SMALL ALLEN WRENCH		1PC
8	LARGE ALLEN WRENCH		1PC

ASSEMBLY




Do not fully tighten all bolts until assembly is complete. This will help all parts to assemble properly.

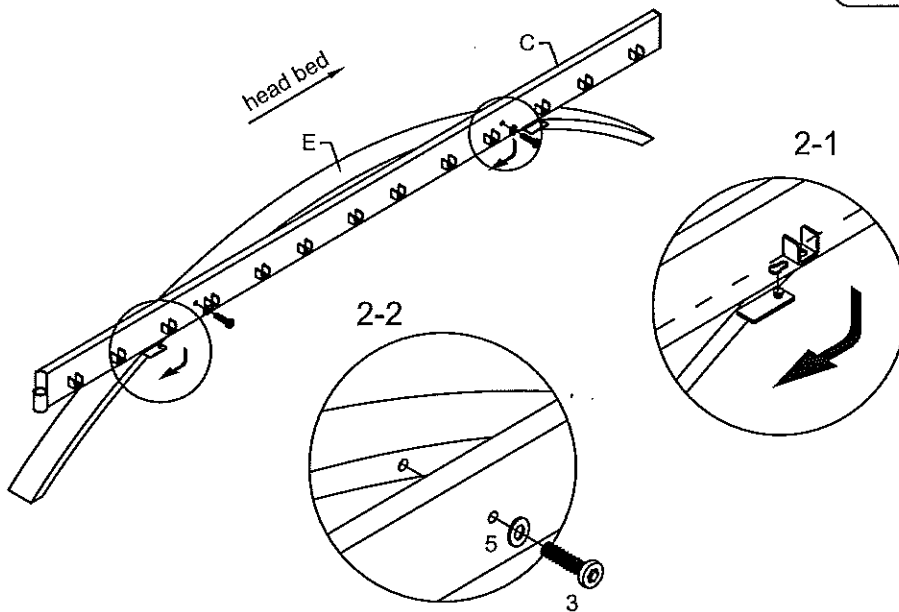
3		2PCS
5		2PCS
7		

STEP 1: Locate right rail(D) and right leg(F), using bolt(3) and washer(5) through pre-drilled holes to attach the right rail and right leg together.






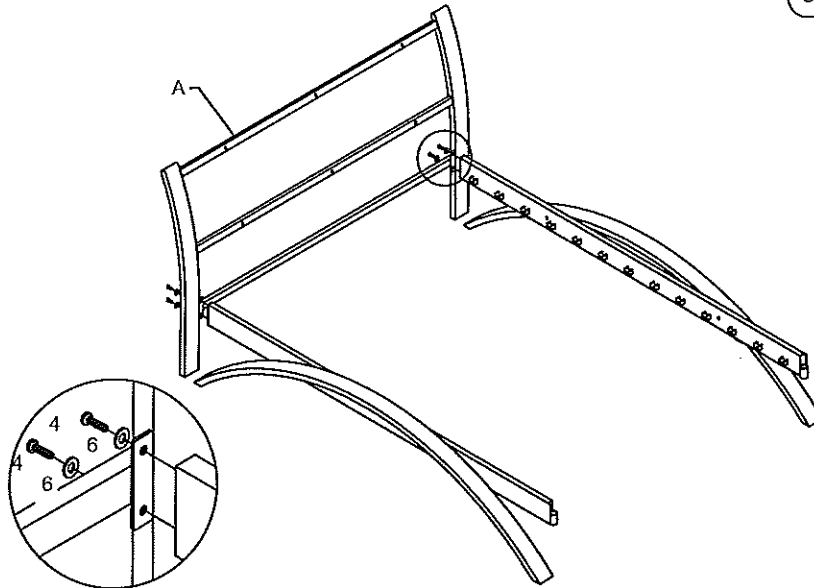
STEP 2: Locate left rail(C) and left leg(E), using bolt(3) and washer(5) through pre-drilled holes to attach the left rail and left leg together.

3		2PCS
5		2PCS
7		

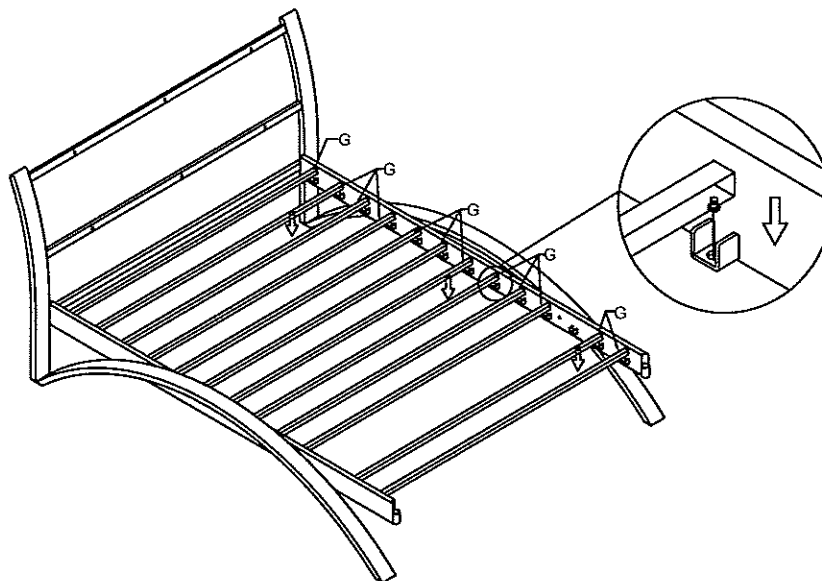


STEP 3: Locate the headboard(A), using the bolt(4) and washer (6) through pre-drilled holes to attach it to the rails.

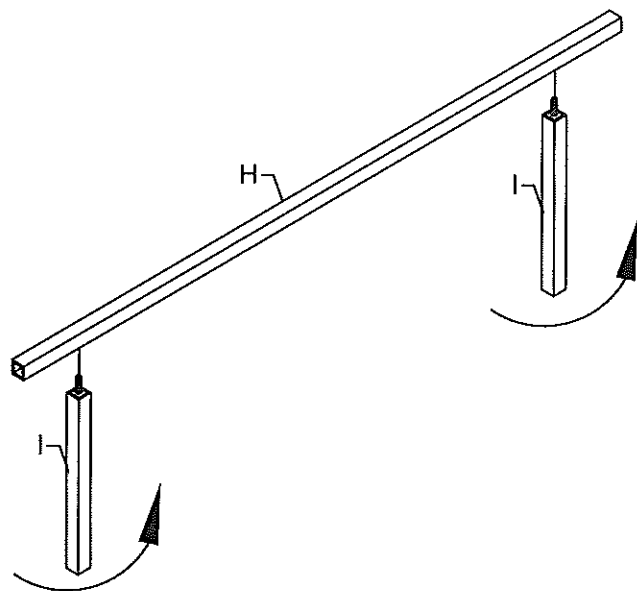
- | | | |
|---|---|------|
| 4 |  | 4PCS |
| 6 |  | 4PCS |
| 8 |  | |






STEP 4: Locate the slat(G) through the pre-drilled holes to fix it..

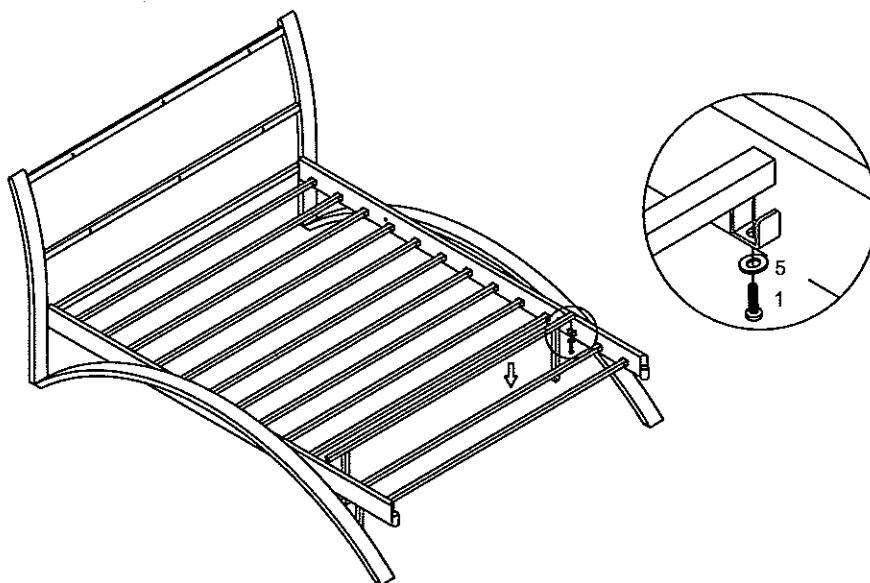


STEP 5: Locate the support slat(H) and support foot(I) through the pre-drilled holes to fix it.






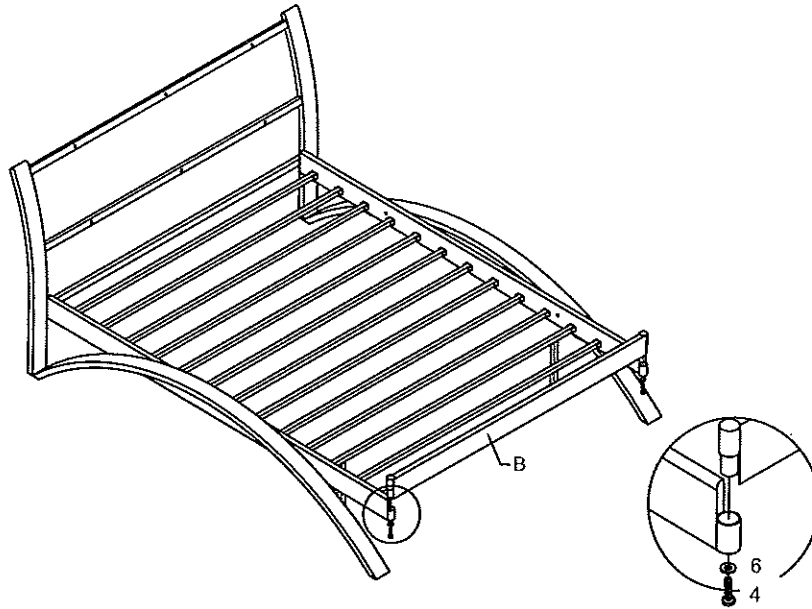
STEP 6: Using bolt(1) and washer(5) through the pre-drilled holes to attach it to each of the pre-drilled holes on the left rail(C) and right rail(D).

- | | | |
|---|---|------|
| 1 |  | 2PCS |
| 5 |  | 2PCS |
| 7 |  | |






STEP 7: Locate the end rail(B), and using bolt(4) and washer(6) through the pre-drilled holes on the rails to attach it to the rails.

- | | | |
|---|---|------|
| 4 |  | 2PCS |
| 6 |  | 2PCS |
| 8 |  | |



STEP 8: Locate cushion(J), and using bolt(2) and washer(5) through pre-drilled holes to attach it to the headboard.

- | | | |
|---|---|------|
| 2 |  | 6PCS |
| 5 |  | 6PCS |
| 7 |  | |

