

**ASSEMBLY INSTRUCTION**  
**COASTER FINE FURNITURE**



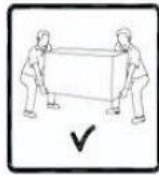
[www.coastercompany.com](http://www.coastercompany.com)

**ASSEMBLY TIPS:**

- 1.Remove hardware from box and sort by size.
- 2.Please check to see that all hardware and parts are present prior to start of assembly.
- 3.Please follow attached instructions in the same sequence as numbered to assure fast& easy assembly.

**warning**

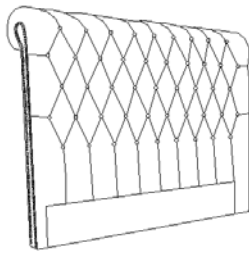
- 1.Don't attempt to repair or modify parts that are broken or defective please contact the store immediately.
- 2.This product is for home use only and not intended for commercial establishment.



ASSEMBLY TIME PER UNIT:	10 MINUTES
-------------------------	------------

**PARTS IDENTIFICATION**

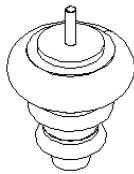
**A**



**Headboard**

**1PC**

**B**



**Wood legs**

**2 PCS**

**HARDWARE PACKAGE**

1

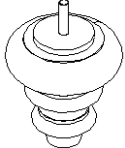






Allen wrench







5\*23\*73mm 1 PC

All above hardware pack is located in 300525Q B1

## PARTS IDENTIFICATION

<b>B</b>		<b>WOOD LEGS</b>	<b>2 PCS</b>
<b>C</b>		<b>BED RAILS</b>	<b>2 PCS</b>
<b>D</b>		<b>FOOTBOARD</b>	<b>1 PC</b>
<b>E</b>		<b>SLATS</b>	<b>4 PCS</b>
<b>F</b>		<b>SLAT SUPPORTS</b>	<b>4 PCS</b>

### HARDWARE PACKAGE

	DESCRIPTION	FIGURE	Q'TY
1	Allen wrench 5*23*73mm		1 PC
2	Headboard corner bracket-Right (facing)		2 PCS
3	Headboard corner bracket-Left (facing)		2 PCS
4	Flat washer		20 PCS
5	Short bolt		20 PCS
6	Wood screw		8 PCS

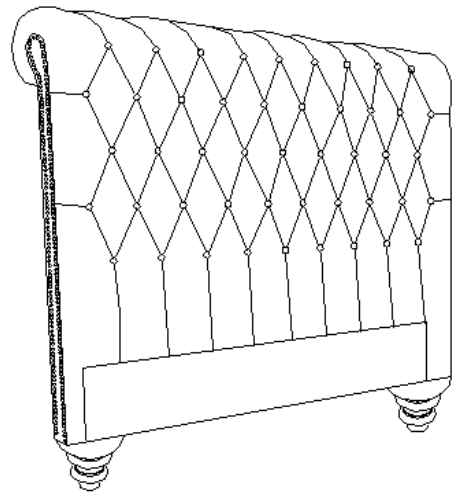
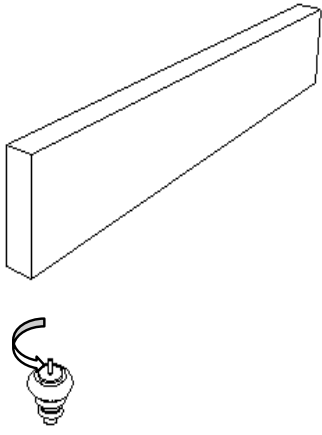
All above hardware pack is located in 300525Q B2

**COASTER**<sup>®</sup>

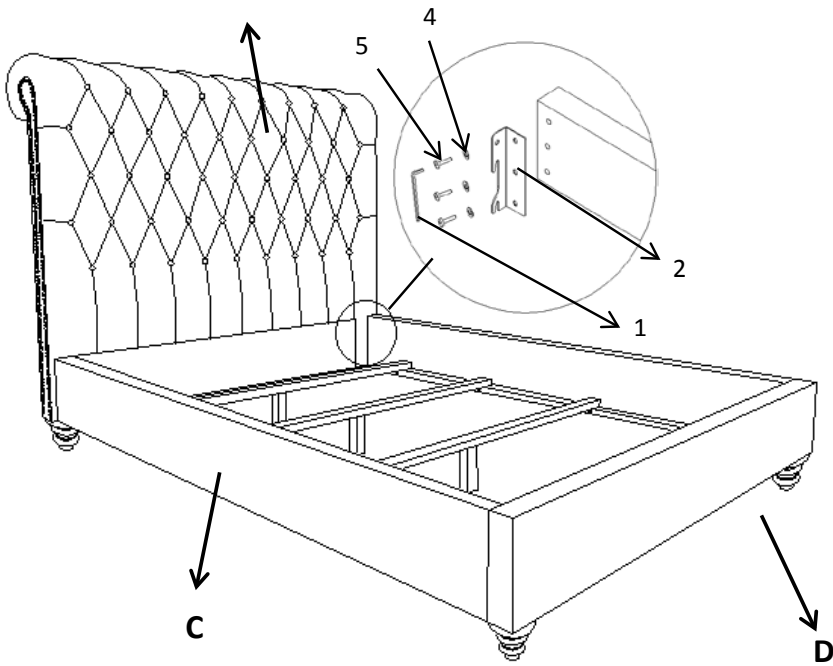
*Fine Furniture*

[www.coastercompany.com](http://www.coastercompany.com)

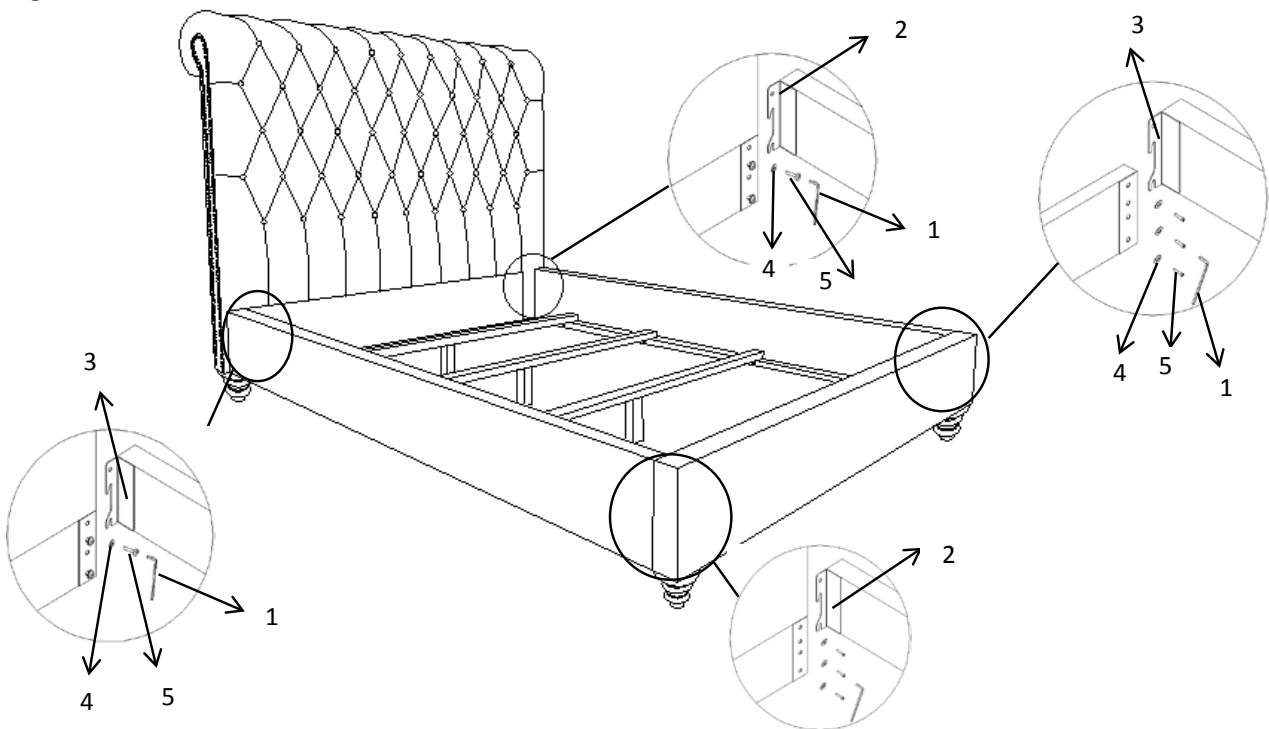
# STEP 1



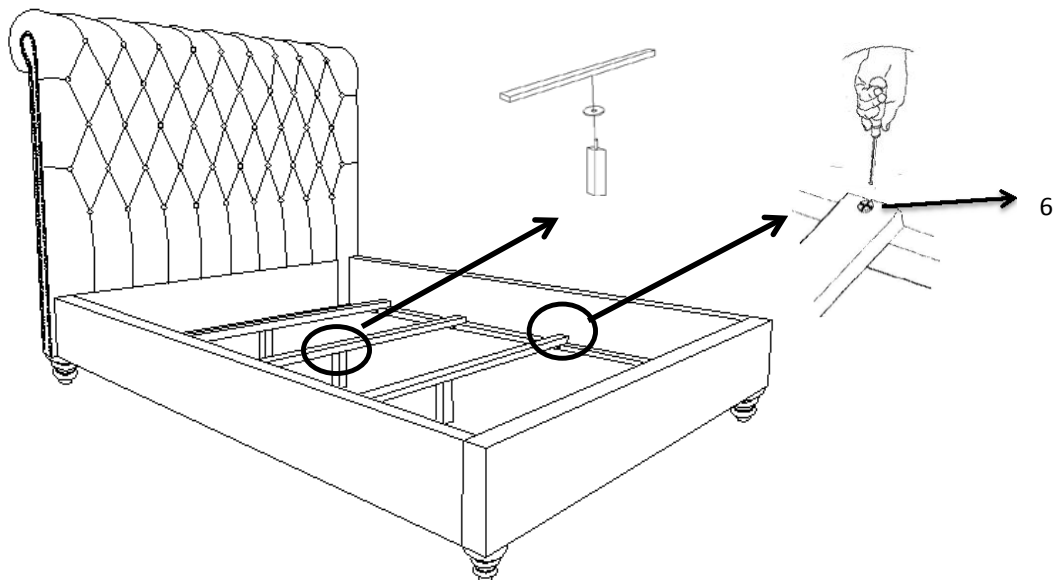
# STEP 2



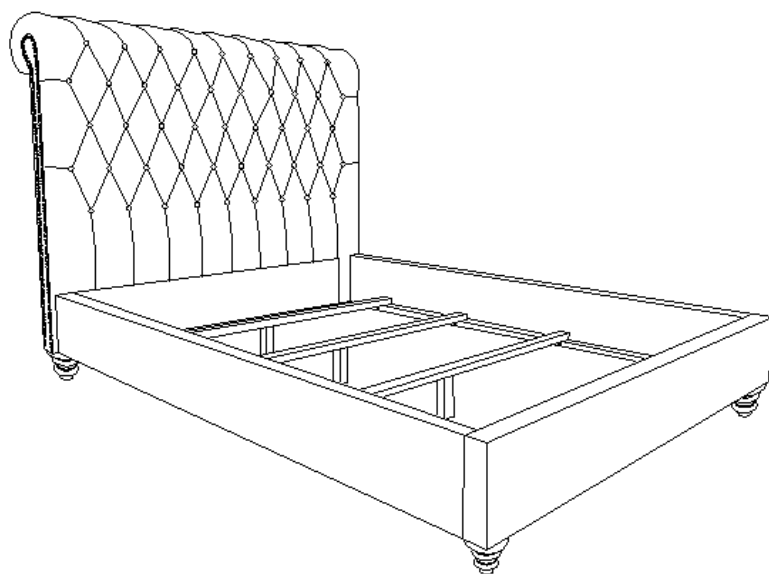
# STEP 3



# STEP 4



# STEP 5



**COASTER**  
Fine Furniture

[www.coastercompany.com](http://www.coastercompany.com)