

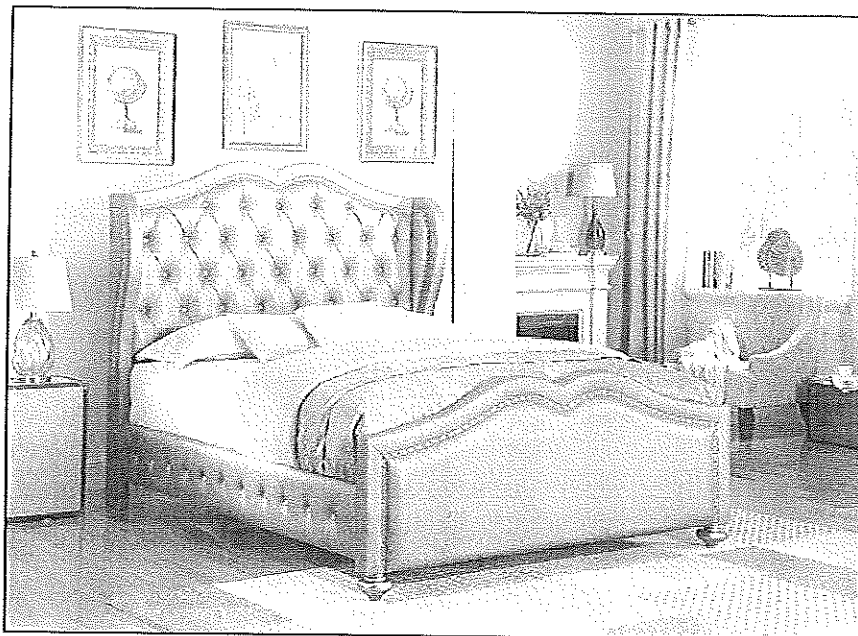
COASTER®

FINE FURNITURE

300824KE

Eastern King Bed

ASSEMBLY INSTRUCTION
COASTER FINE FURNITURE



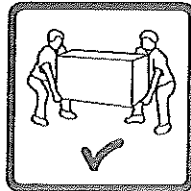
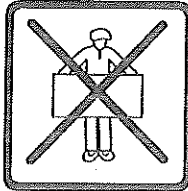
www.coastercompany.com

Assembly Instruction

- 1.Remove hardware from box and sort by size.
- 2.Please check to see that all hardware and parts are present prior start of assembly.
- 3.Please follow attached Instructions In the same sequence as numbered to assure fast & easy assembly.

⚠Warning!

- 1.Don't attempt to repair or modify parts that are broken or defective please contact the store immediately.
- 2.This product is for home use only and not intended for commercial establishment.

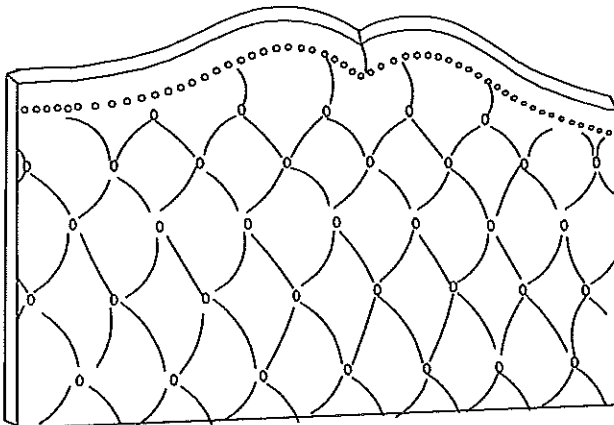


ASSEMBLY TIME PER UNIT:30 MINUTES

PARTS IDENTIFICATION:

B1:HEADBOARD

A-HEADBOARD PANEL 1PC



HARDWARE PACKAGE

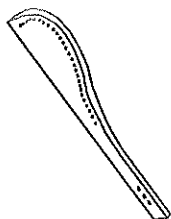
NO	DESCRIPTION	FIGURE	Q'TY
1	Bolt 5/16"*2"		16PCS
2	Bolt 5/16"*1"		4PCS
3	Allen Key 5mm		1PC
4	Spring Washer 5/16"		16PCS
5	Flat Washer 5/16"*16mm		14PCS
6	Flat Washer 5/16"*22mm		6PCS
7	Screw m8*30		10PCS

Hardware pack is located in 300824KE B2

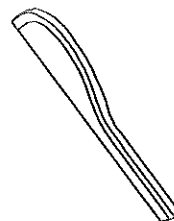
PARTS IDENTIFICATION:

B2:EAR&FOOTBOARD&SLAT&FEET

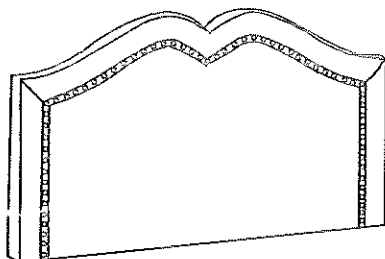
B-RIGHT HEADBOARD LEG 1PC



C-LEFT HEADBOARD LEG 1PC



D-FOOTBOARD 1PC



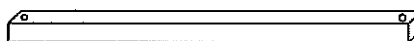
E-FEET 2PCS



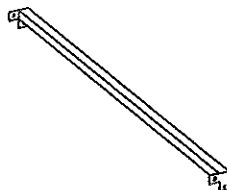
F-SUPPORT LEG 10PCS



G-SLAT 5PCS



H-HEADBOARD SUPPORT BAR 1PC

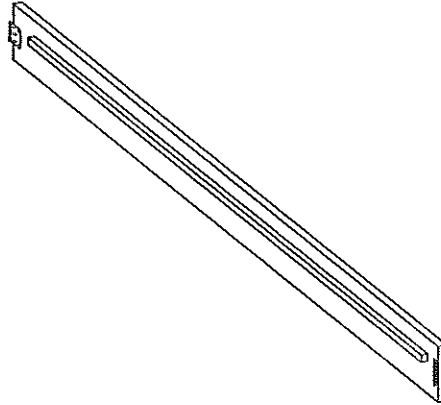


PARTS IDENTIFICATION:

B3:RAILS

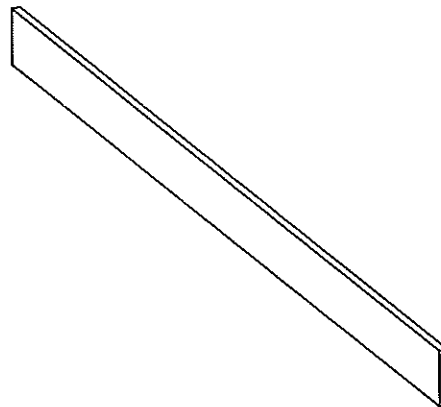
I-RIGHT SIDE RAIL

1PC



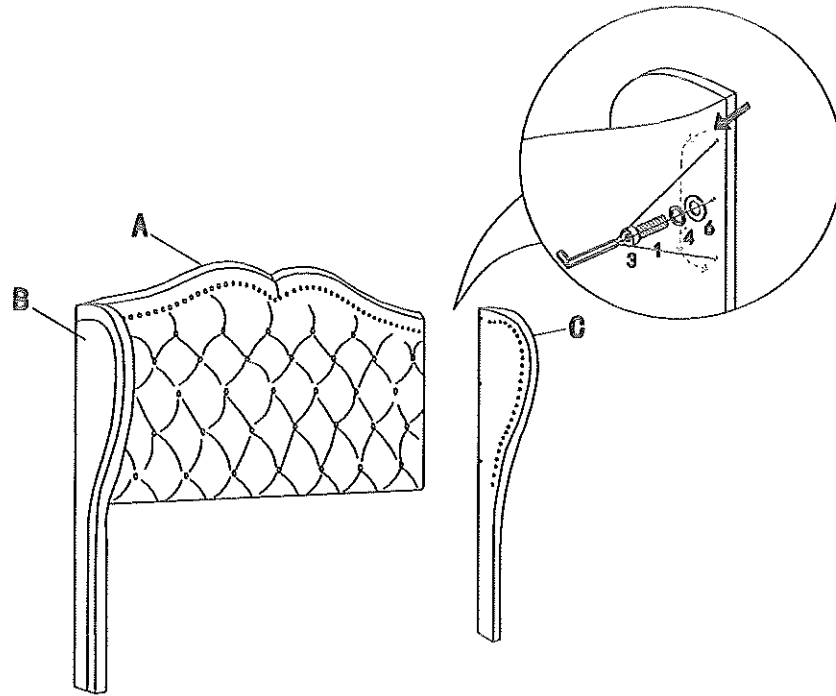
J-LEFT SIDE RAIL

1PC

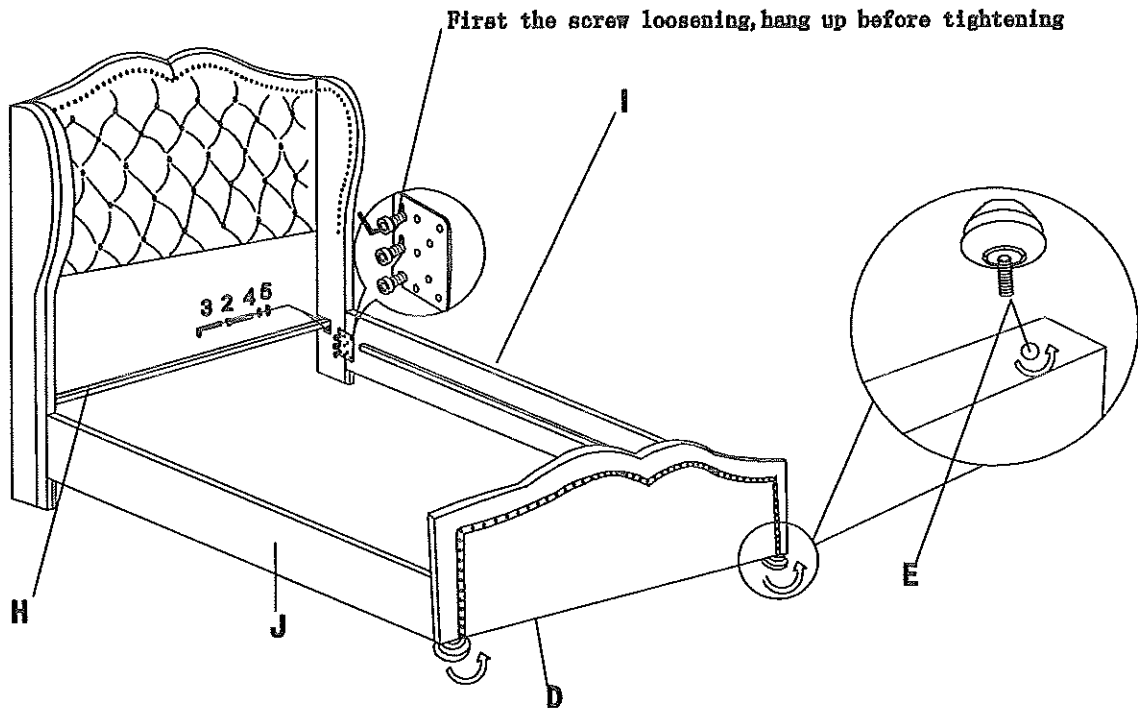


Assembly Instruction

STEP 1

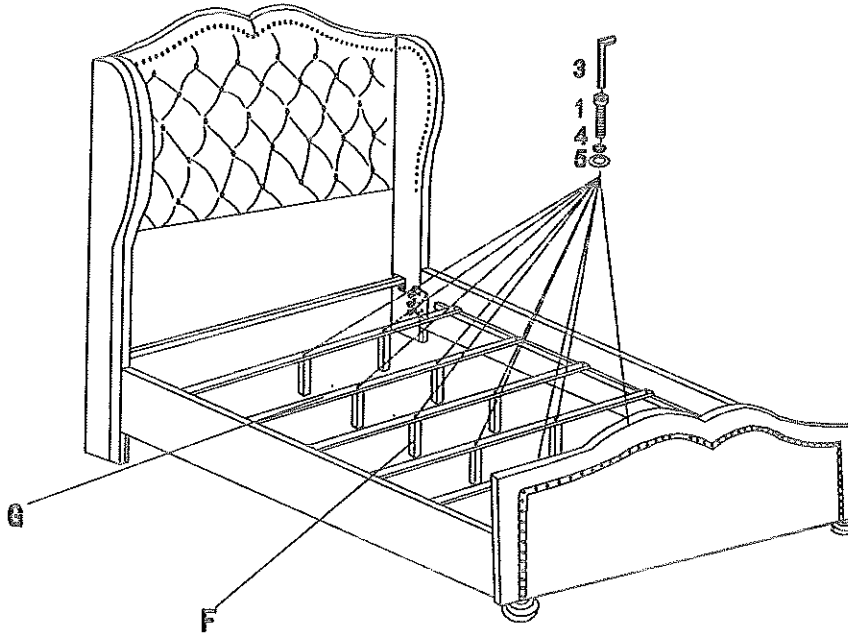


STEP 2



Assembly Instruction

STEP4



STEP5

