

COASTER®
Fine Furniture

301469Q
QUEEN BED

ASSEMBLY INSTRUCTION
COASTER FINE FURNITURE



WWW.COASTERCOMPANY.COM

2017.03.31

Assembly Instruction

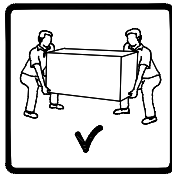
ASSEMBLY TIPS:

1. Remove hardware from box and sort by size.
2. Please check to see that all hardware and parts are present prior to start of assembly.
3. Please follow attached instructions in the same sequence as numbered to assure fast & easy assembly.



Warning!

1. Don't attempt to repair or modify parts that are broken or defective. Please contact the store immediately.
2. This product is for home use only and not intended for commercial establishment.

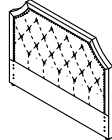


ASSEMBLY TIME PER UNIT: 20 MINUTES

PARTS IDENTIFICATION:

B1: HEADBOARD

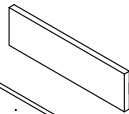
A HEADBOARD



1PCS

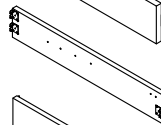
B2: FOOTBOARD & SIDE RAIL & HARDWARE

B FOOTBOARD



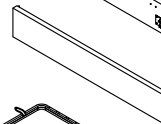
1PCS

C RIGHT SIDE RAIL



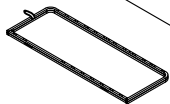
1PCS

D LEFT SIDE RAIL



1PCS

E METAL FRAME



1PCS

F FABRIC COVER



1PCS

G RIGHT SIDE GAS LIFT



1PCS

H LEFT SIDE GAS LIFT



1PCS

I METAL CROSSBAR



2PCS

J SLAT



28PCS

K MATTRESS SUPPORT



2PCS

L METAL FRAME SUPPORTER



2PCS

M WOODEN SUPPORTER



1PCS

N SLAT PLASTIC CONNECTOR



56PCS

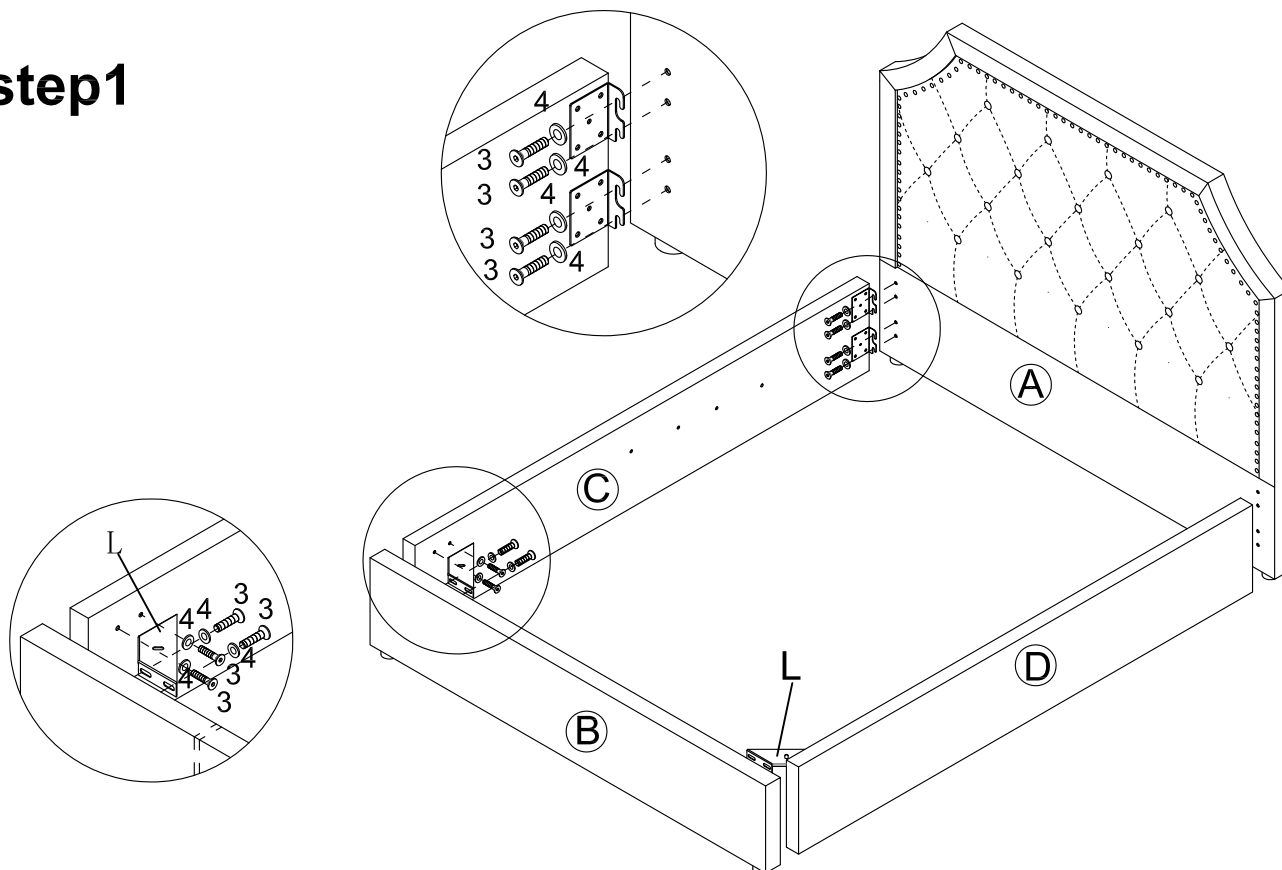
HARDWARE PACKAGE:

Z Hardware pack is located in 301469QB2

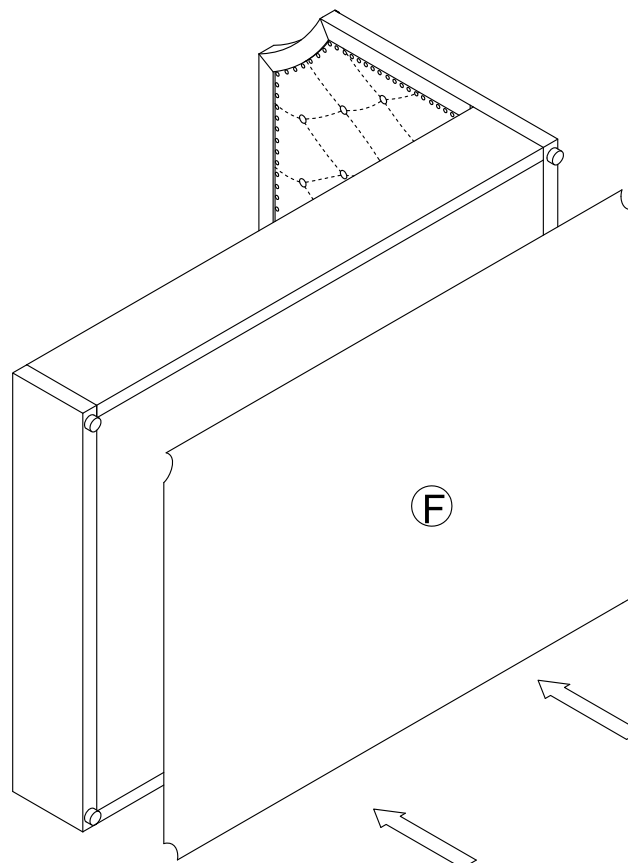
NO	DESCRIPTION	FIGURE	QTY
1	LARGE BOLT 5/16X2"		2PCS
2	LARGE BOLT 5/16X1.5"		18PCS
3	LARGE BOLT 5/16X1.2"		20PCS
4	ØSMALL FLAT WASHER 5/16"		22PCS
5	ØNUT 5/16"		10PCS
6	SMALL ANTIFRICTION PAD		4PCS
7	ALLEN WRENCH 5/16"		1PCS
8	WRENCH 5/16"		1PCS

It needs one person and takes about ten minutes to assemble the item.

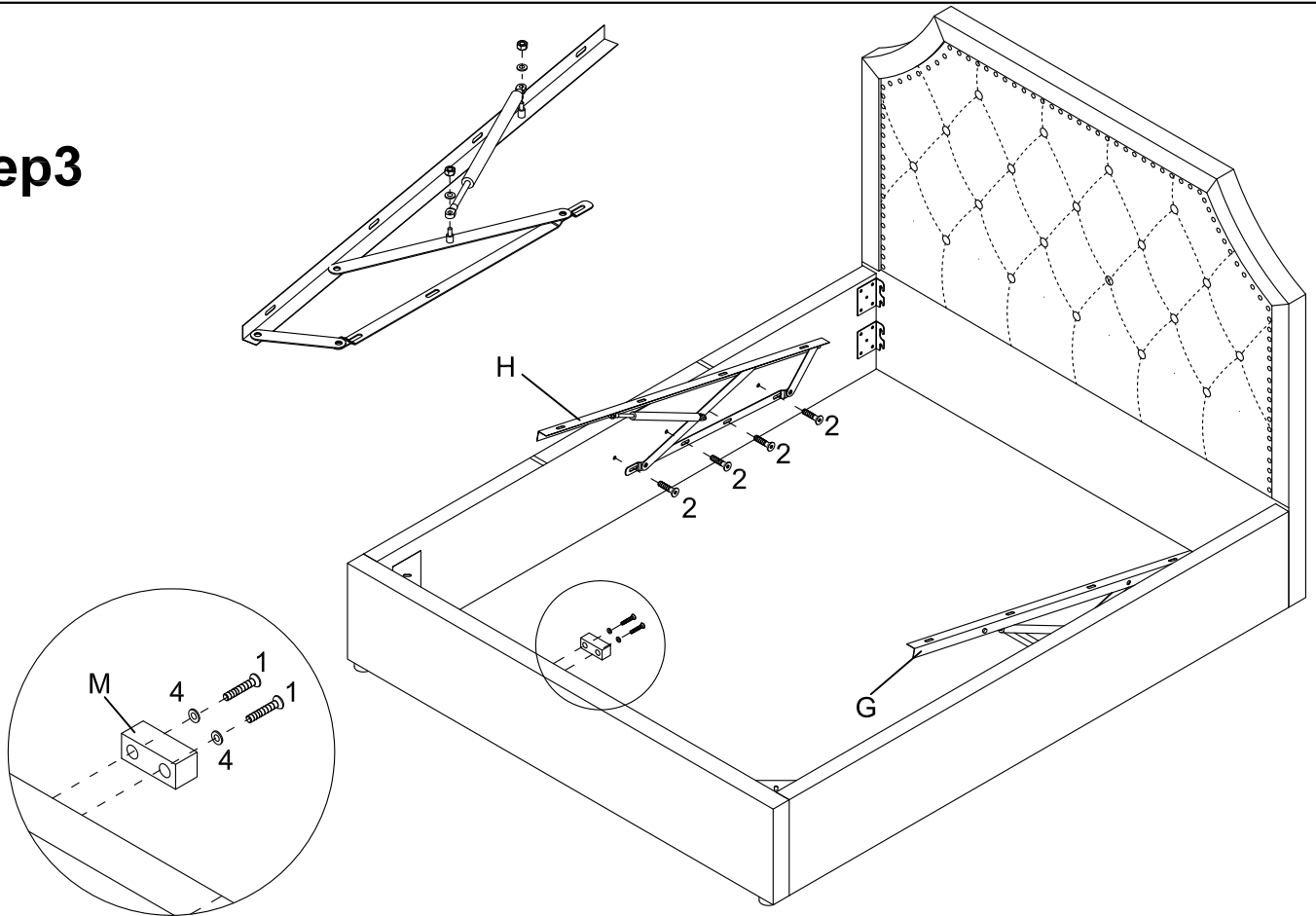
step1



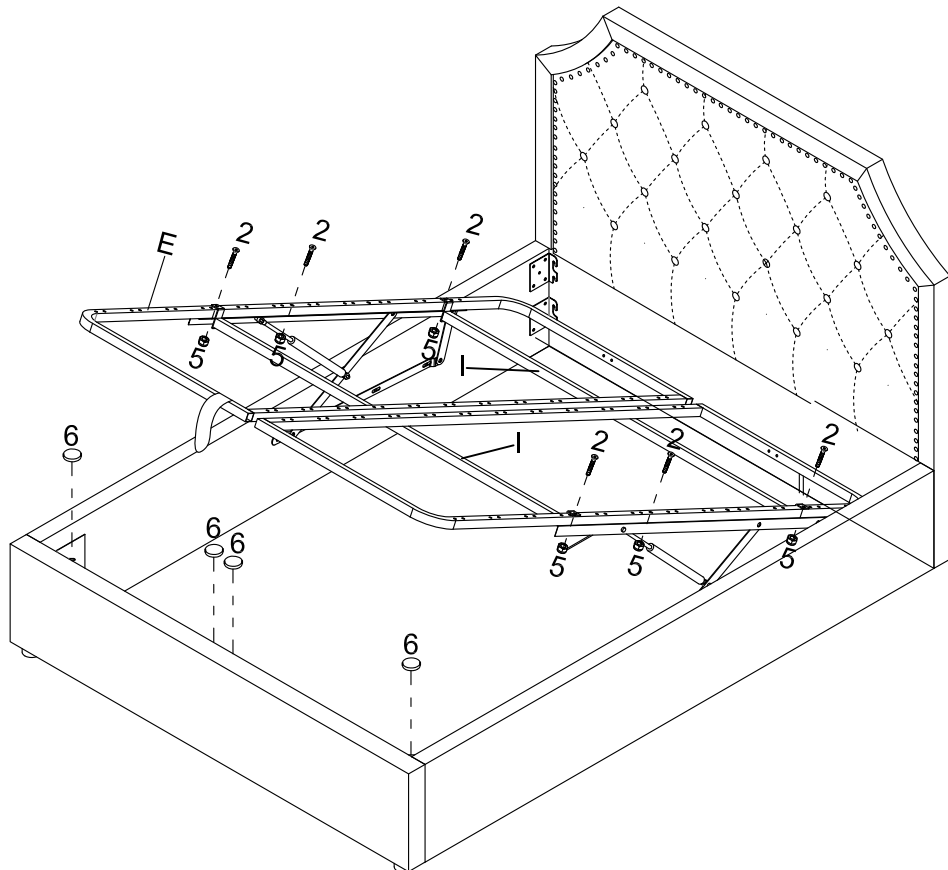
step2



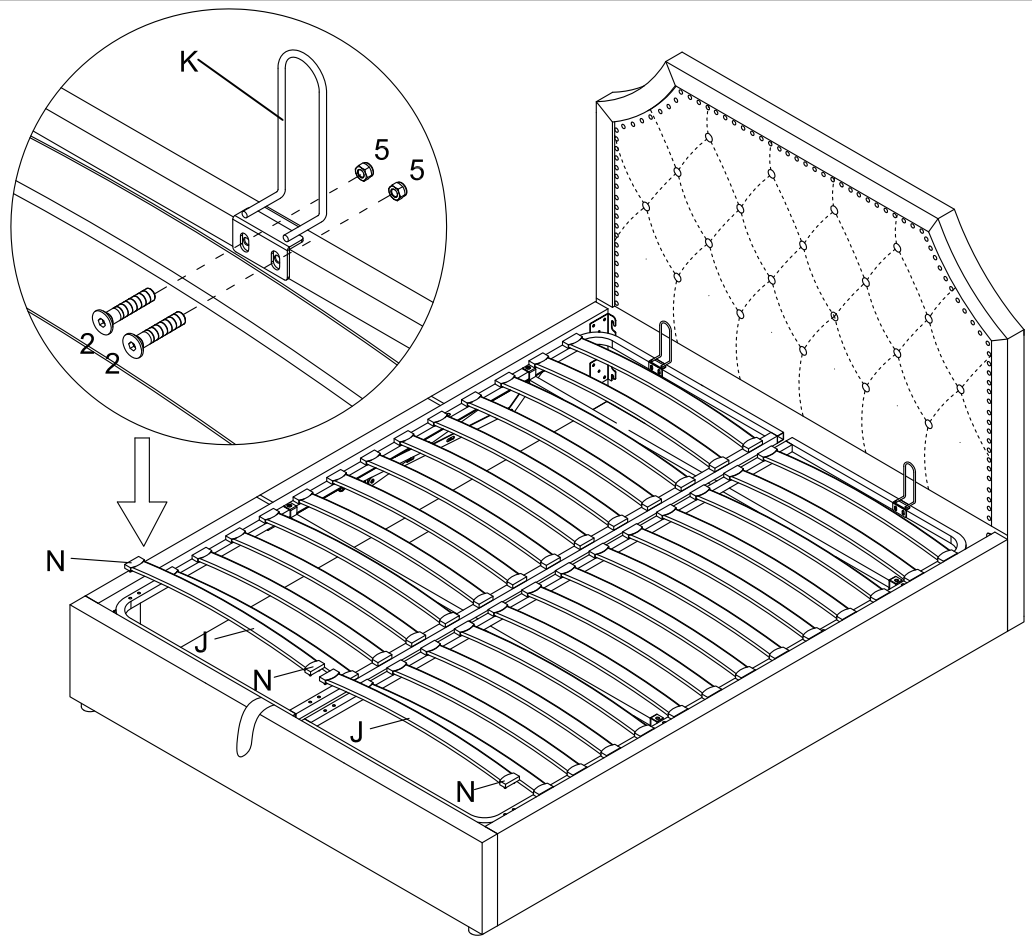
step3



step4



step5



step6

