

COASTER® **400825**
FINE FURNITURE **CHEST**

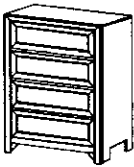
ASSEMBLY INSTRUCTIONS
COASTER FINE FURNITURE





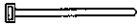

www.coastercompany.com

ANTI-TIPPING KIT

PARTS IDENTIFICATION

A		CHEST	1 PC
---	---	-------	------

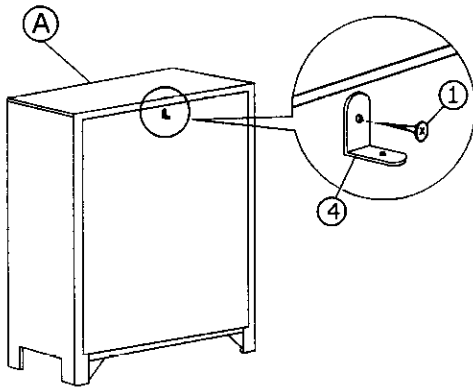
HARDWARE IDENTIFICATION

1		SHORT SCREW	1 PC
2		LONG SCREW	1 PC
3		CABLE TIE	1 PC
4		L BRACKET	2 PCS

This tip restraint must be attached to a wall stud using long screw enclosed.

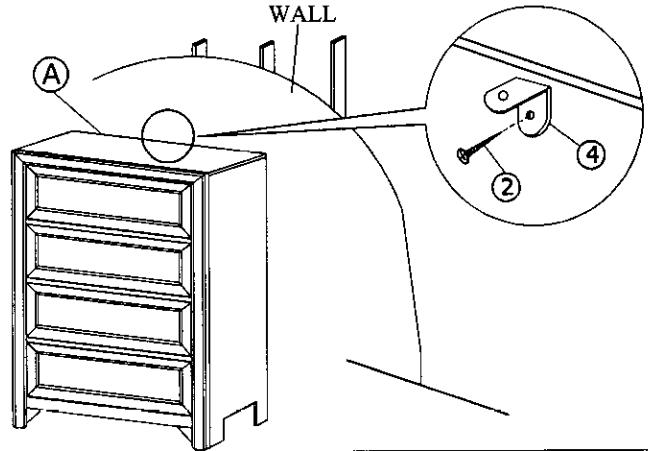
STEP 1

Attach a bracket securely to the back top rail of the chest using short screw provided, through the smaller hole.



STEP 2

Locate the other bracket on the wall over a wall stud and two inches below the mounting bracket secured to the back of chest. Attached to the wall stud using the long screw provided, through the smaller hole.



STEP 3

Place the chest into position so both mounting brackets are vertically in line. Lace the end of the restraint strap through the larger hole in each mounting bracket. Bring both ends together and slide the flat end through the locking end and draw it through until all slack is removed. Confirm that the strap is securely laced and locked.

