



**400931F(B1-B3)
FULL SIZE STORAGE
BED**

**ASSEMBLY INSTRUCTIONS
COASTER FINE FURNITURE**



www.coastercompany.com

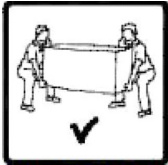
ASSEMBLY TIPS:

1. Remove hardware from box and sort by size
2. Please check to see that all hardware and parts are present prior to start of assembly.
3. Please follow attached instruction in the same sequence as numbered to assure fast & easy assembly.



Warning!

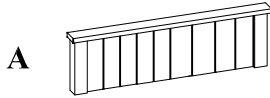
1. Don't attempt to repair or modify parts that are broken or defective. Please contact the store immediately.
2. This product is for home use only and not intended for commercial establishment.



ASSEMBLY TIME | 15 MINUTES

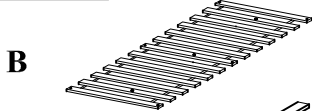
PARTS IDENTIFICATION

B1 (BOX1)

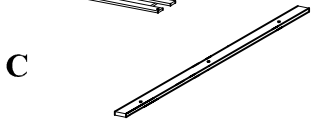


FOOTBOARD 1 PC

B2 (BOX2)



ROLL SLAT (13PCS) 1 SET



CENTER RAIL 1 PC



BED SLAT SUPPORT WITH LEVELER 3 PCS



RIGHT BED RAIL 1 PC



LEFT BED RAIL 1 PC

B3 (BOX3)



DRAWER 2PCS

HARDWARE IDENTIFICATION

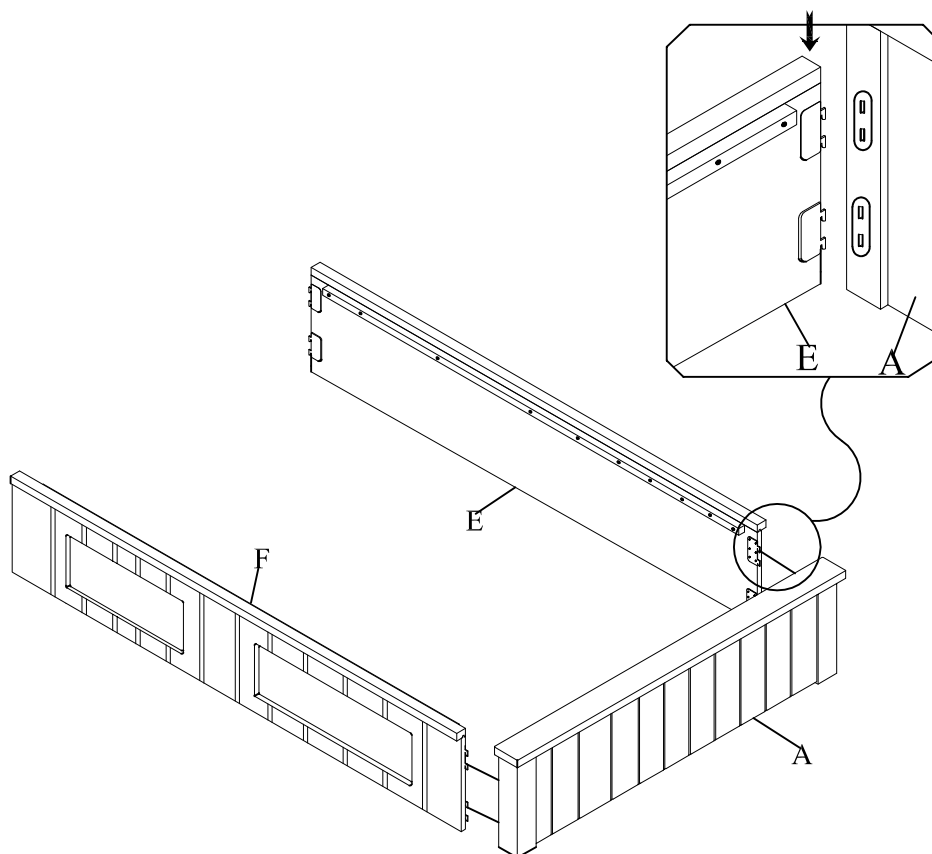
Z-B2(BOX2) Hardware pack is located in 400931F(B2)

- | | | | |
|---|--|---------------------|-------------|
| 1 | | BOLT | 8PCS |
| 2 | | FLAT WASHER | 8PCS |
| 3 | | LOCK WASHER | 8PCS |
| 4 | | SCREW | 6PCS |
| 5 | | ALLEN WRENCH | 1PC |

NOTE: PHILLIPS HEAD SCREW DRIVER IS REQUIRED IN THE ASSEMBLY PROCESS; HOWEVER MANUFACTURER DOES NOT PROVIDE THIS ITEM.

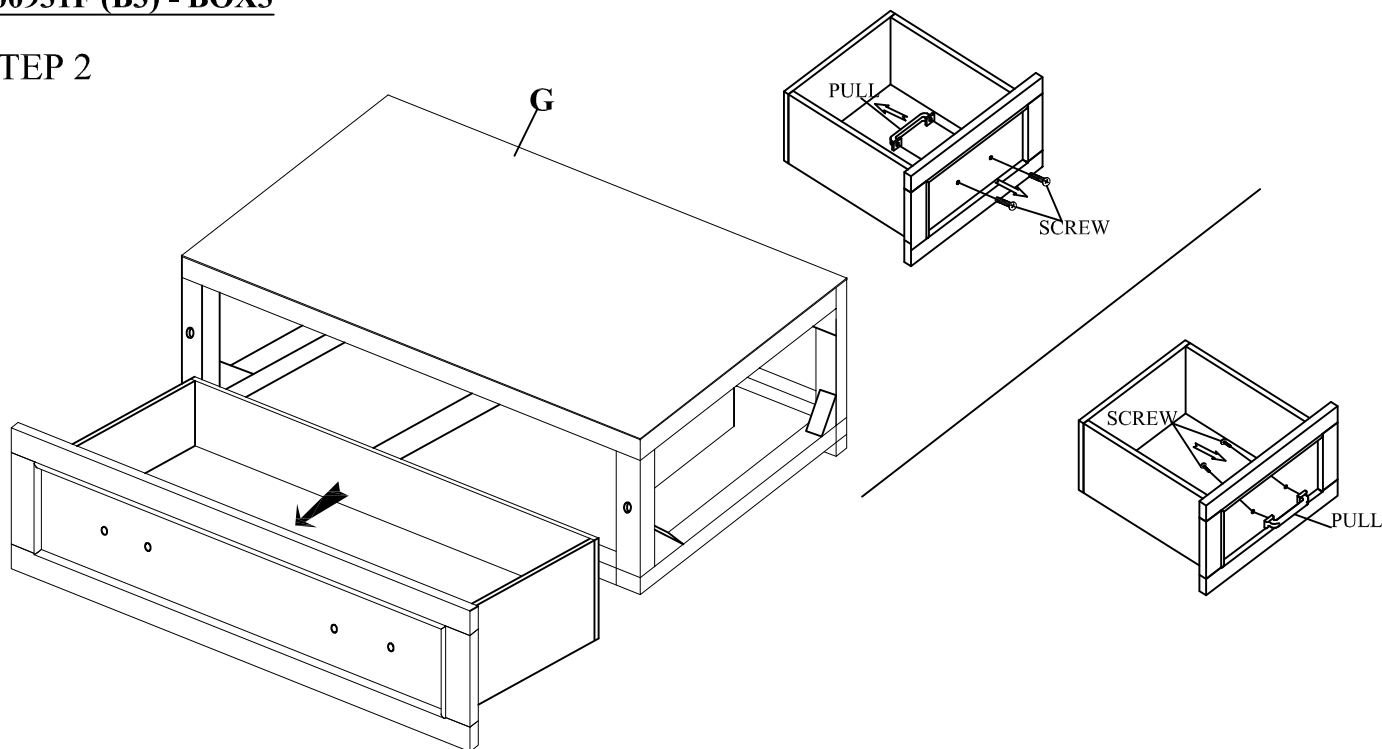
400931F (B1 & B2) - BOX1 & BOX2

STEP 1



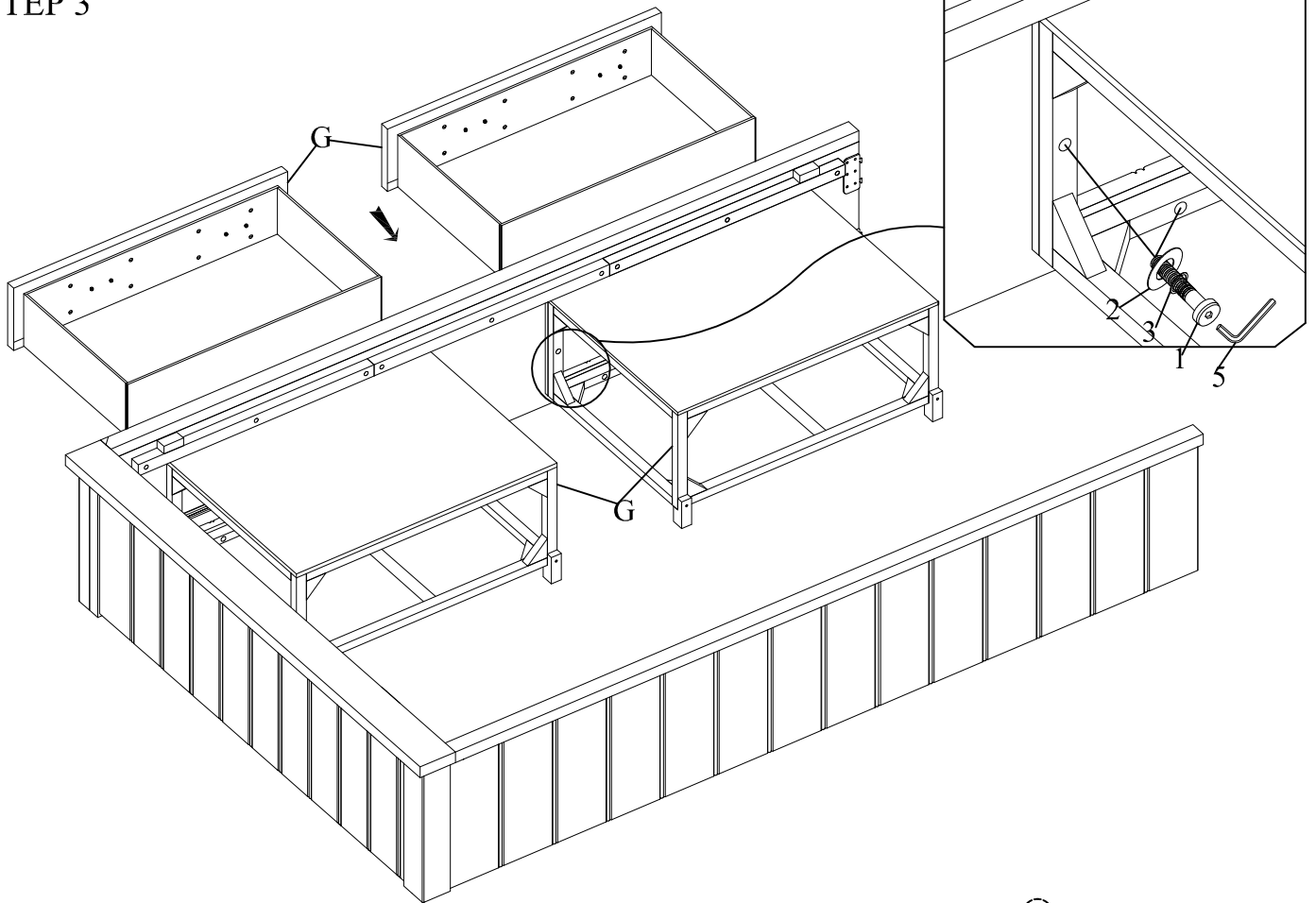
400931F (B3) - BOX3

STEP 2

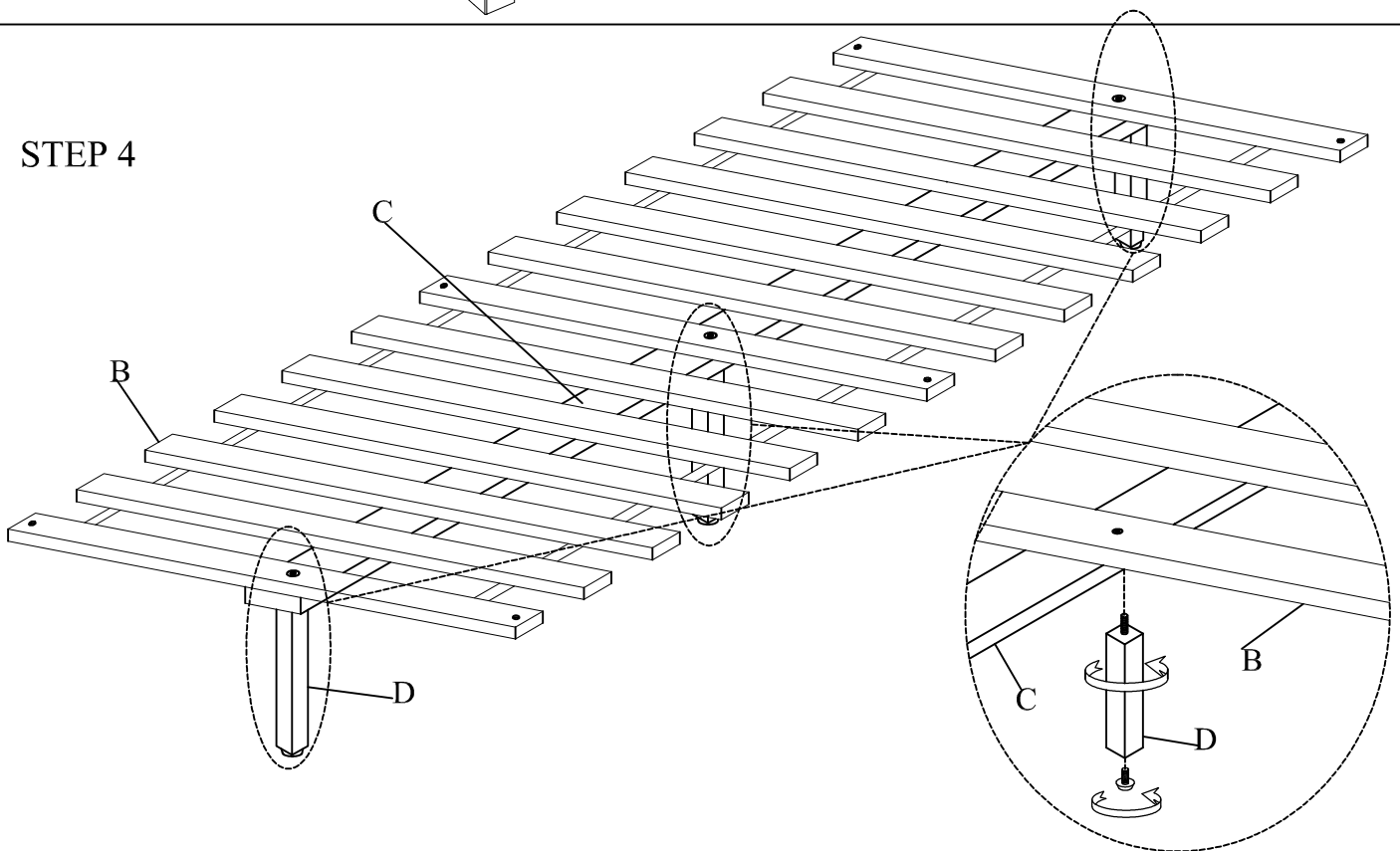


400931F (B1-B3) - BOX1 OF BOX3

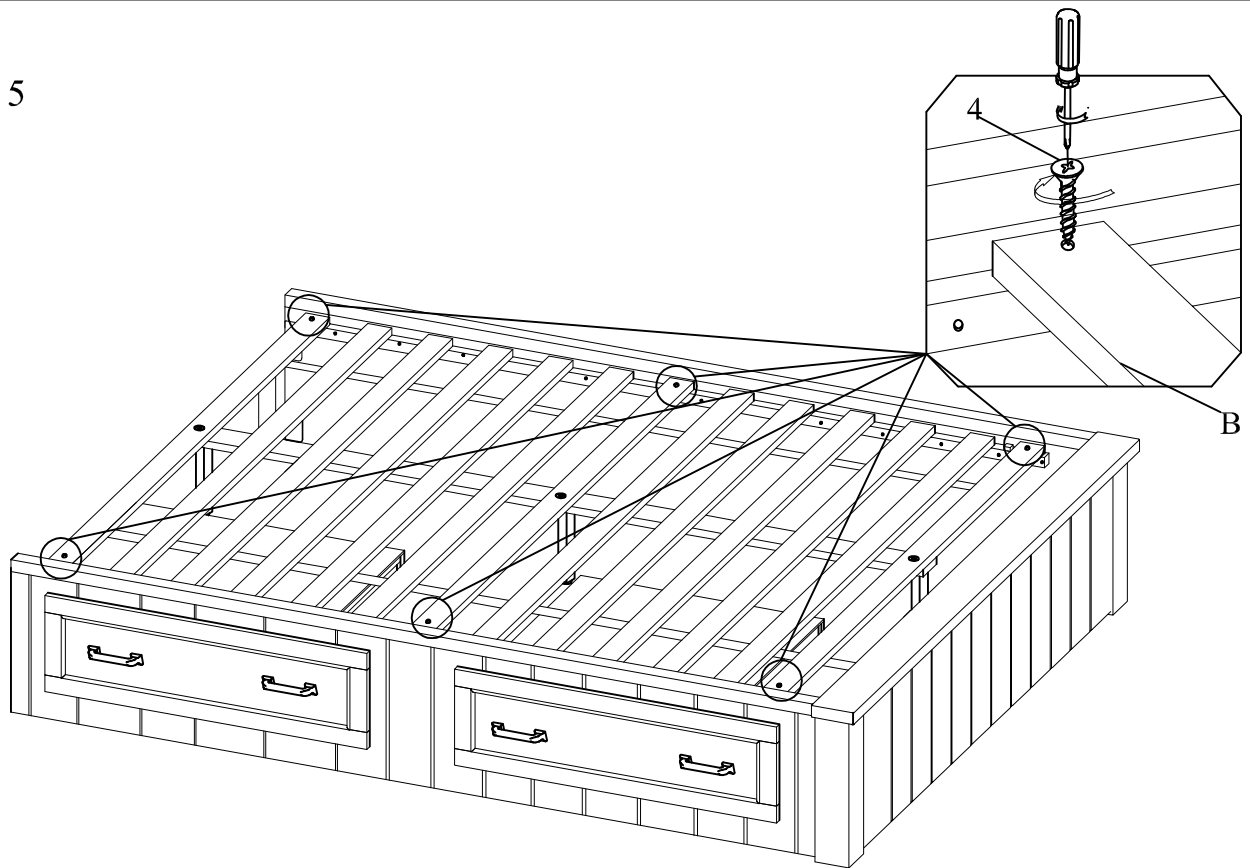
STEP 3



STEP 4



STEP 5



COMPLETE

