



400936F
FULL SIZE PANEL
HEADBOARD

ASSEMBLY INSTRUCTIONS
COASTER FINE FURNITURE



www.coastercompany.com

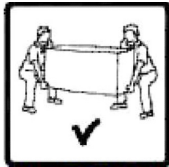
ASSEMBLY TIPS:

1. Remove hardware from box and sort by size
2. Please check to see that all hardware and parts are present prior to start of assembly.
3. Please follow attached instruction in the same sequence as numbered to assure fast & easy assembly.

Warning!



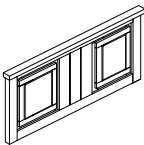



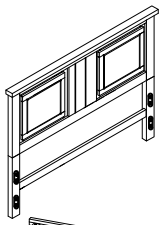
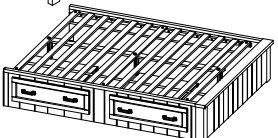
1. Don't attempt to repair or modify parts that are broken or defective. Please contact the store immediately.
2. This product is for home use only and not intended for commercial establishment.



ASSEMBLY TIME | 15 MINUTES

PARTS IDENTIFICATION





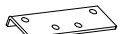

400936F

A		HEADBOARD	1PC
B		LEFT HEADBOARD LEG	1PC
C		RIGHT HEADBOARD LEG	1PC
D		BOTTOM RAIL	1PC
HB		400936 F HEADBOARD COMPLETE	1SET
FBD		400931F (B1-B3) FROM 400931F(BOX1 TO BOX3) FULL SIZE STORAGE BED	1SET

HARDWARE IDENTIFICATION

Z - 400936F

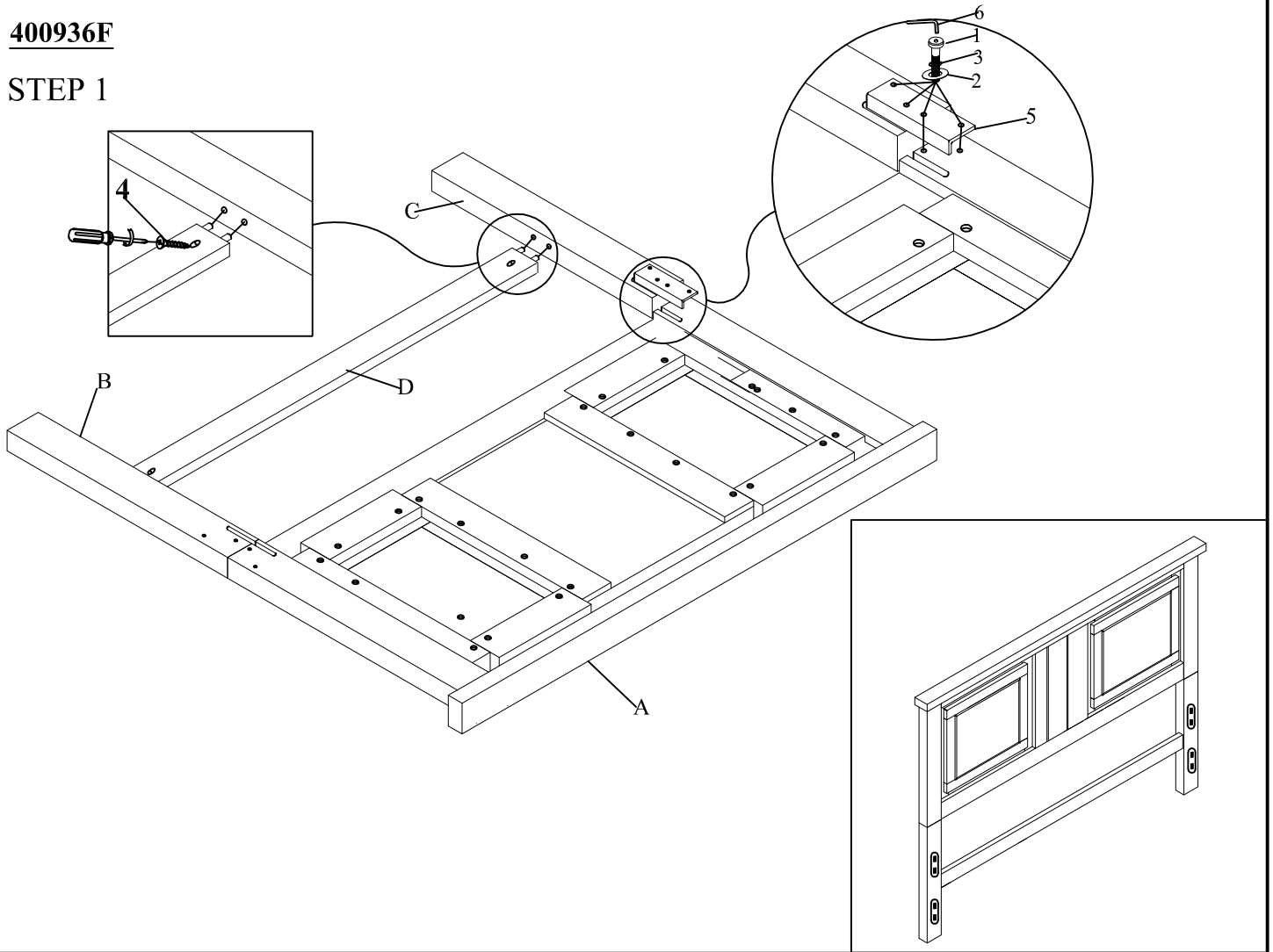
- HARDWARE PACK IS LOCATED IN 400936F

1		BOLT	8PCS
2		FLAT WASHER	8PCS
3		LOCK WASHER	8PCS
4		SCREW	2PCS
5		BRACKET	2PCS
6		ALLEN WRENCH	1PC

NOTE: PHILLIPS HEAD SCREW DRIVER IS REQUIRED IN THE ASSEMBLY PROCESS; HOWEVER MANUFACTURER DOES NOT PROVIDE THIS ITEM.

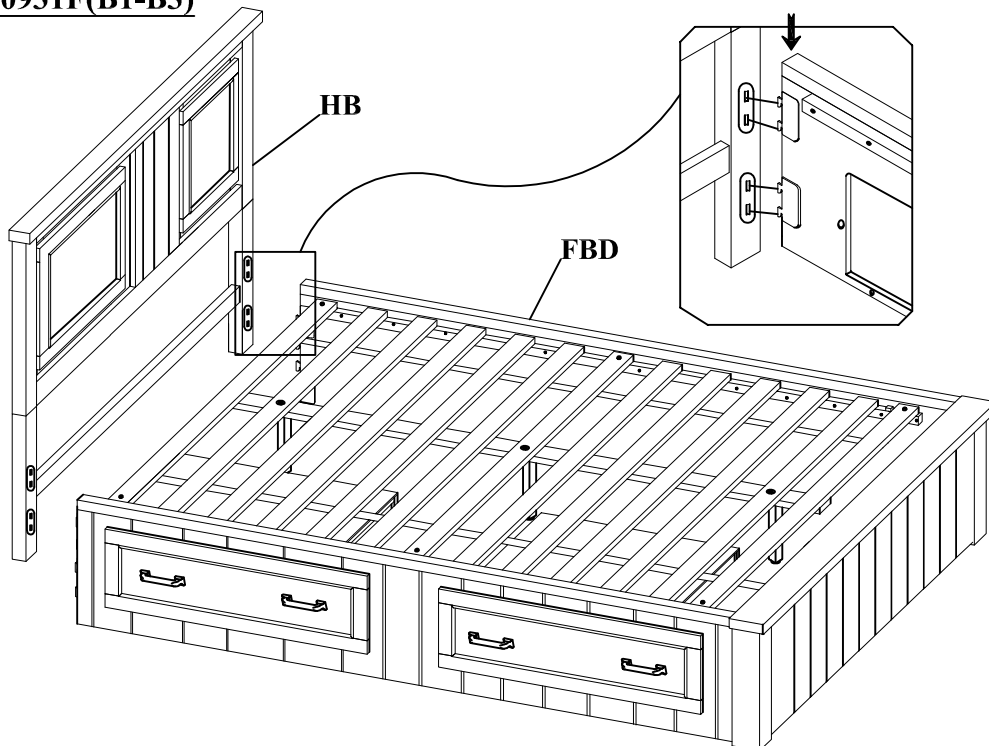
400936F

STEP 1



400936F & 400931F(B1-B3)

STEP 2



COMPLETE

