

COASTER®

Fine Furniture

501686

SECTIONAL

ASSEMBLY INSTRUCTION
COASTER FINE FURNITURE



www.coastercompany.com

COASTER®
Fine Furniture

2017/4/21

www.coastercompany.com

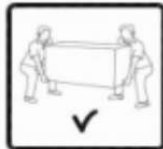
ASSEMBLY INSTRUCTION

ASSEMBLY TIPS:

1. Remove hardware from box and sort by size.
2. Please check to see that all hardware and parts are present prior to start of assembly.
3. Please follow attached instruction in the same sequence as numbered to assure fast & easy assembly.














Warning!

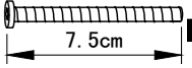


1. Don't attempt to repair or modify parts that are broken or defective. Please contact the store immediately.
2. This product is for home use only and not intended for commercial establishment.



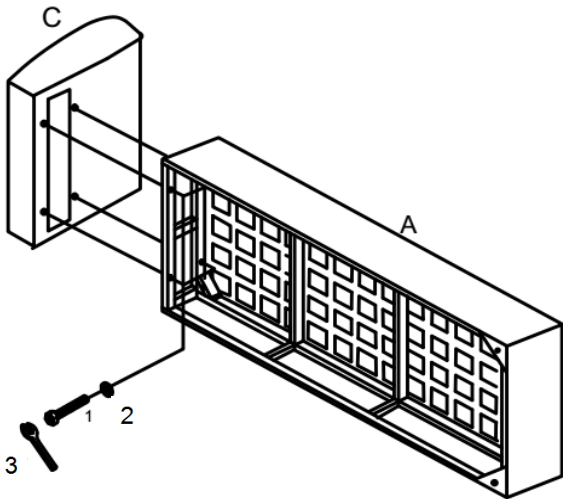
ASSEMBLY TIME PER UNIT: 15 MINUTES

PARTS IDENTIFICATION

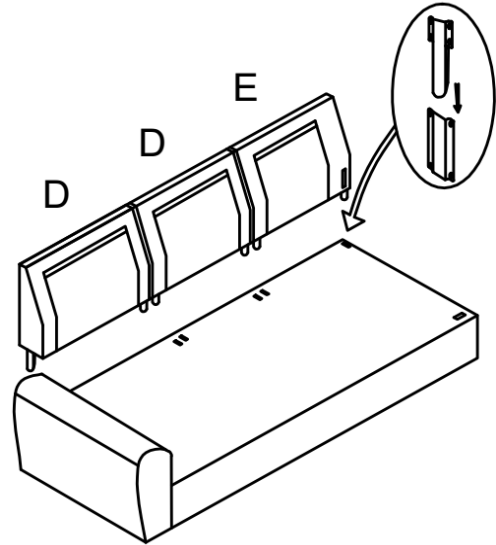
A	SOFA FRAME		1PC	H	SOFA LEFT BACK CUSHION		1PC
B	LEG		4PCS	I	SOFA BACK CUSHION		1PC
C	SOFA LEFT ARM		1PC	J	SOFA BACK CUSHION		1PC
D	SOFA BACK FRAME		2PC	K	PILLOW		2PCS
E	SOFA RIGHT BACK FRAME		1PC	L	SOFA SEAT CUSHION		2PC
F	SOFA LEFT BACK FRAME		1PC	M	SOFA SEAT CUSHION		1PC
G	SOFA RIGHT BACK CUSHION		1PC				

Z	HARDWARE PACKAGE		
NO	DESCRIPTION	FIGURE	QTY
1	SCREW		4PCS
2	WASHER		4PCS
3	WRENCH		1PC

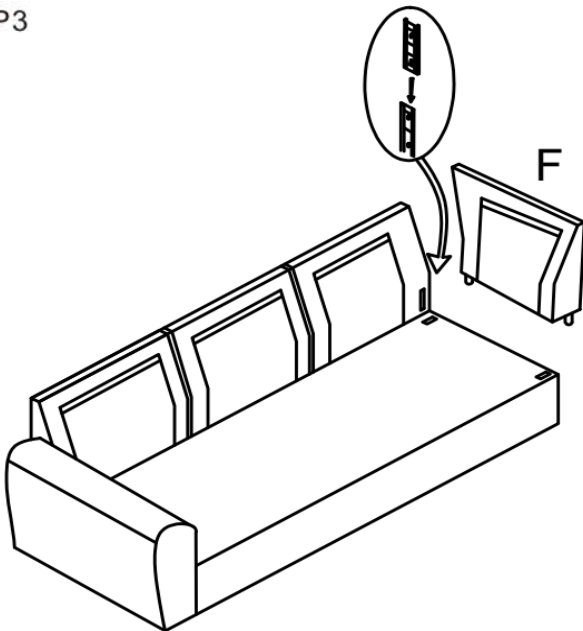
STEP 1



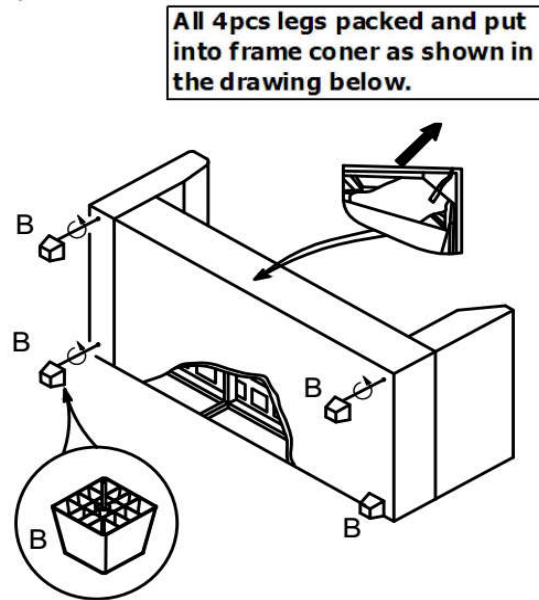
STEP 2



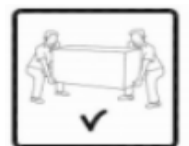
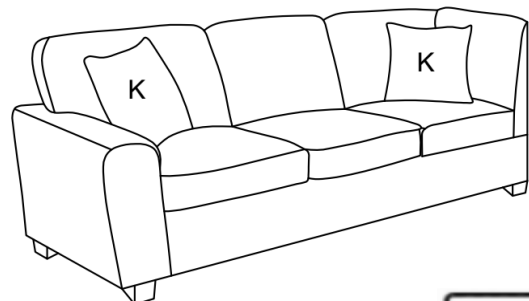
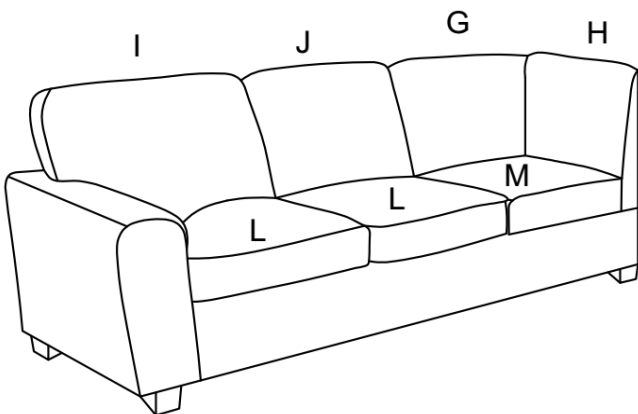
STEP 3



STEP 4



STEP 5



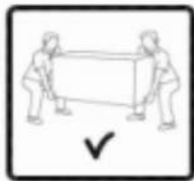
ASSEMBLY INSTRUCTION

ASSEMBLY TIPS :

1. Remove hardware from box and sort by size.
2. Please check to see that all hardware and parts are present prior to start of assembly.
3. Please follow attached instruction in the same sequence as numbered to assure fast & easy assembly.





⚠ Warning !

1. Don't attempt to repair or modify parts that are broken or defective. Please contact the store immediately.
2. This product is for home use only and not intended for commercial establishment.

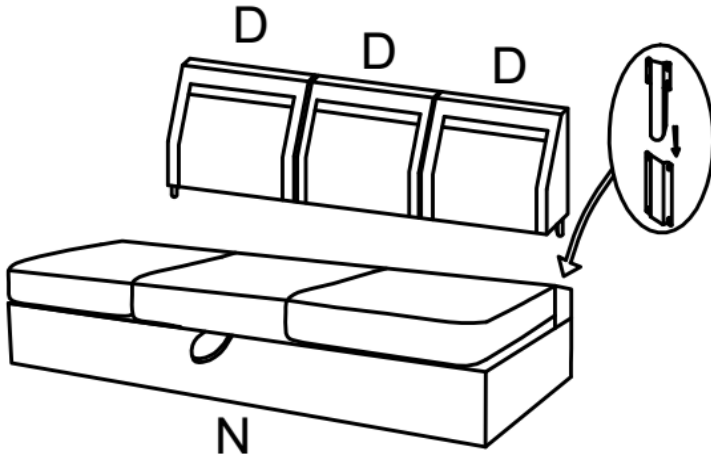


ASSEMBLY TIME PER UNIT:	10 MINUTES
-------------------------	------------

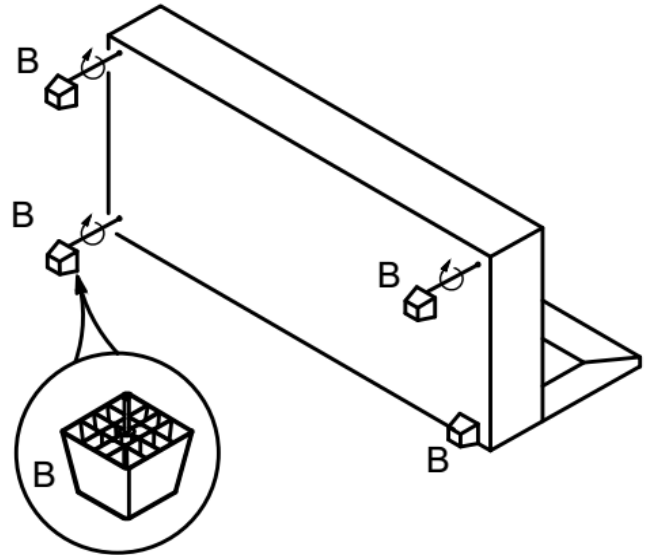
PARTS IDENTIFICATION

N	STORAGE SOFA FRAME		1PC
B	LEG		4PCS
D	SOFA BACK FRAME		3PC
J	BACK CUSHION		3PC

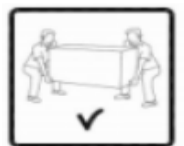
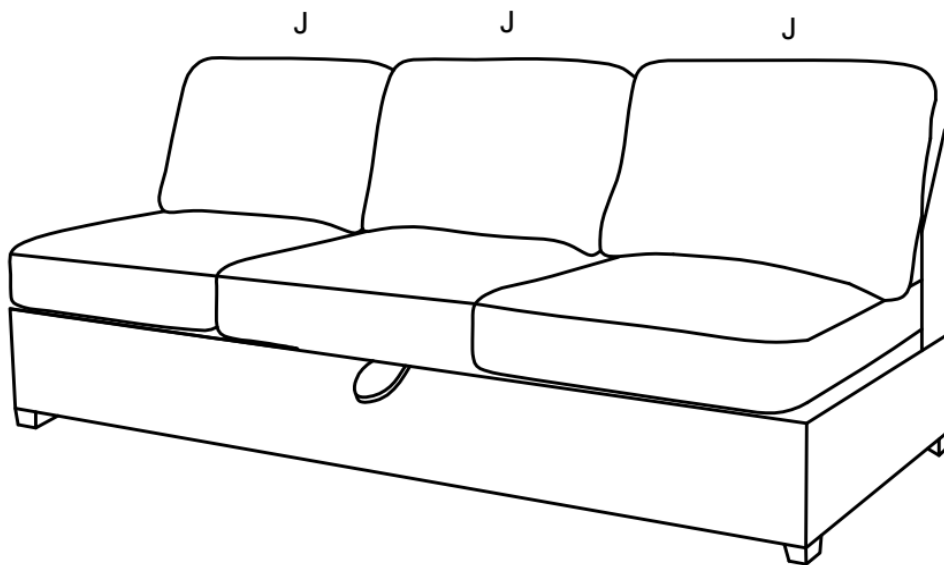
STEP 1



STEP 2



STEP 3



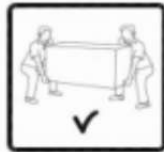
ASSEMBLY INSTRUCTION

ASSEMBLY TIPS :

1. Remove hardware from box and sort by size.
2. Please check to see that all hardware and parts are present prior to start of assembly.
3. Please follow attached instruction in the same sequence as numbered to assure fast & easy assembly.








Warning !

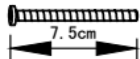


1. Don't attempt to repair or modify parts that are broken or defective. Please contact the store immediately.
2. This product is for home use only and not intended for commercial establishment.



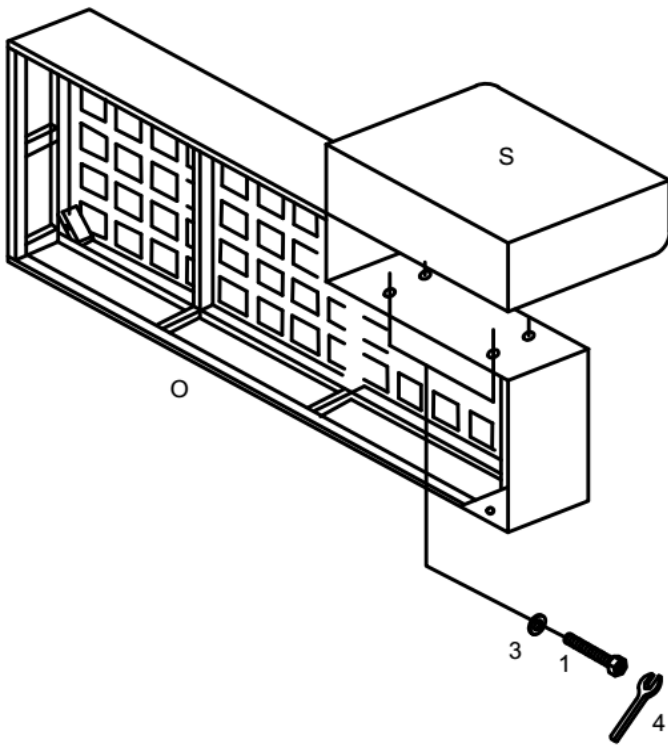
ASSEMBLY TIME PER UNIT:	15 MINUTES
-------------------------	------------

PARTS IDENTIFICATION

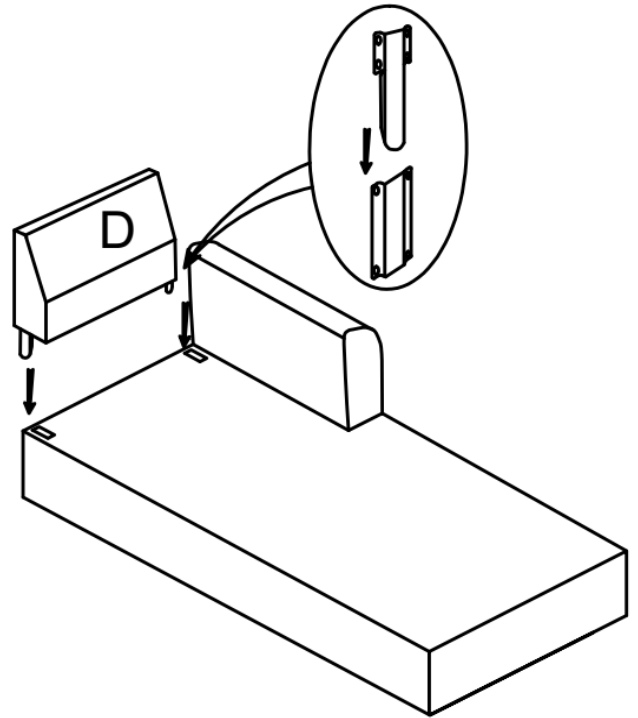
O	CHAISE FRAME		1PC
B	LEG		5PCS
S	CHAISE ARM		1PC
D	CHAISE BACK ARM		1PC
P	CHAISE LEFT BACK CUSHION		1PC
K	PILLOW		1PC
Q	CHAISE SEAT CUSHION		1PC

HARDWARE PACKAGE			
Z	DESCRIPTION	FIGURE	QTY
1	SCREW	 7.5cm	4PCS
3	WASHER		4PCS
4	WRENCH		1PC

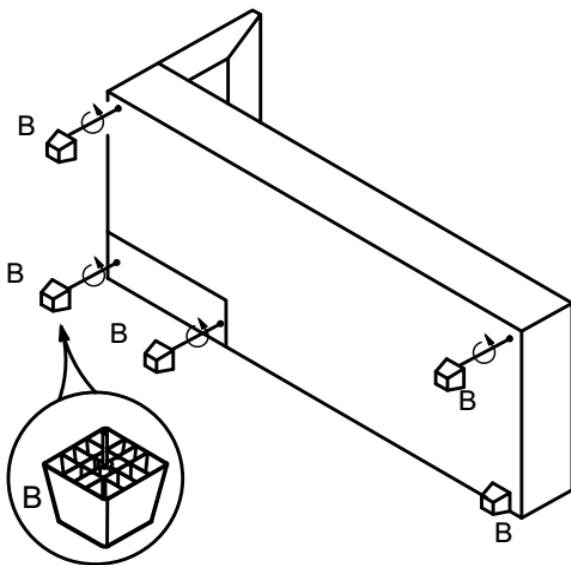
STEP 1



STEP 2



STEP 3



STEP 4

