

COASTER®

Fine Furniture

503776

CHAIR

**ASSEMBLY INSTRUCTION
COASTER FINE FURNITURE**



www.coastercompany.com

Assembly Instruction





ASSEMBLY TIPS:

1. Remove hardware from box and sort by size.
2. Please check to see that all hardware and parts are present prior to start of assembly.
3. Please follow attached instructions in the same sequence as numbered to assure fast & easy assembly.




⚠ Warning.

1. Don't attempt to repair or modify parts that are broken or defective Please contact the store immediately.
2. This product is for home use only and not intended for commercial establishment.

PARTS IDENTIFICATION:

(A) BASE		1PC
(B) FRONT LEGS		2PCS
(C) LEFT BACK LEG		1PC
(D) RIGHT BACK LEG		1PC

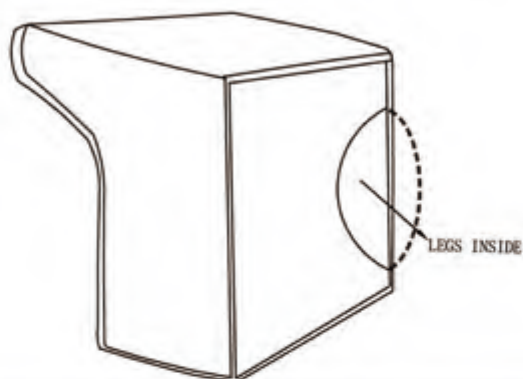
Z HARDWARE PACKAGE:

NO	DESCRIPTION	FIGURE	Q T Y
1	BOLT M6 X 25MM		16PCS
2	WASHER Ø 17MM		16PCS
3	ALLEN KEY		1PC

IT NEEDS TWO PERSONS AND TAKES ABOUT FIFTEEN MINUTES TO ASSEMBLE THE ITEM.

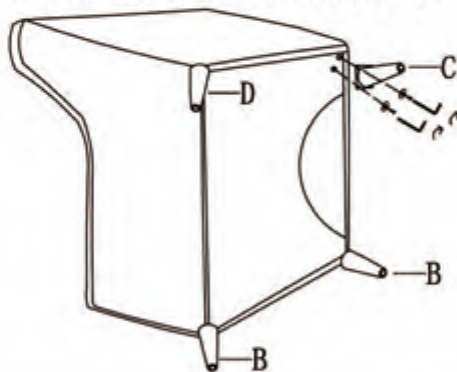
STEP 1

Place base(A) upside down onto a clean soft surface and remove the legs located under the dust cover.



STEP 2

Next attach the Front Legs(B), Left Back leg(C), and Right Back leg (D) to the Base(A) separately using Washer(2) Bolt(1) and tighten with the Allen Wrench(3) as shown in diagram.



STEP 3

