

COASTER® **504555**
Fine Furniture **LOVESEAT**

ASSEMBLY INSTRUCTION
COASTER FINE FURNITURE



www.coastercompany.com

Assembly Instruction

ASSEMBLY TIPS :

- 1. Remove hardware from box and sort by size.
- 2. Please check to see that all hardware and parts are present prior to start of assembly.
- 3. Please follow attached instructions in the same sequence as numbered to assure fast & easy assembly.



Warning !

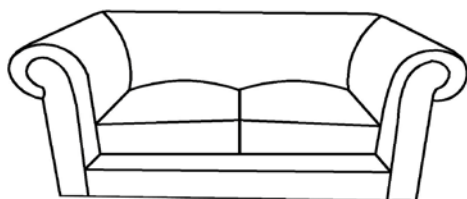
- 1. Do not attempt to repair or modify parts that are broken or defective. Please contact the store immediately.
- 2. This product is for home use only and intended for commercial establishment.



ASSEMBLY TIME PER UNIT: 10 MINUTES

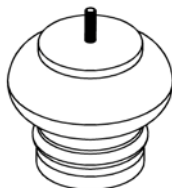
PARTS IDENTIFICATION

A



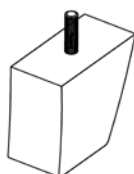
LOVESEAT 1PC

B



FRONT LEGS 2PCS

C



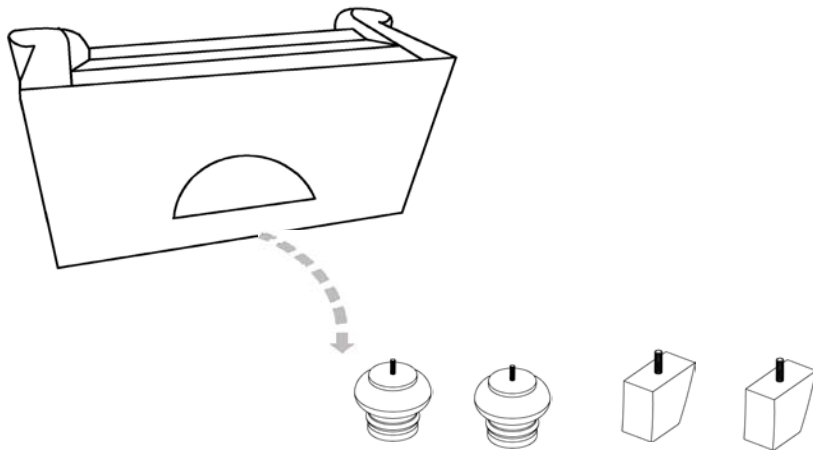
BACK LEGS 2PCS

D

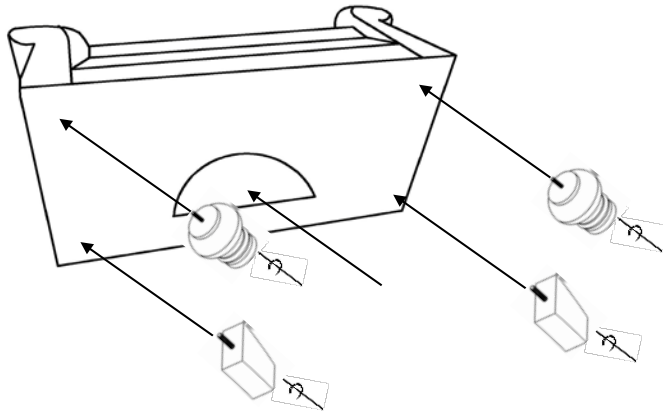


SEAT CUSHIONS 2PCS

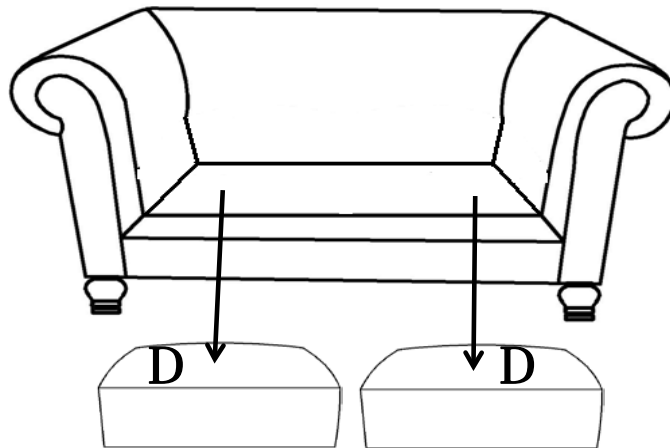
STEP 1



STEP 2



STEP 4



STEP 3

