

COASTER[®]
Fine Furniture

504769

CHAIR

ASSEMBLY INSTRUCTION

COASTER FINE FURNITURE



www.coastercompany.com

2014/7/7

Assembly Instruction

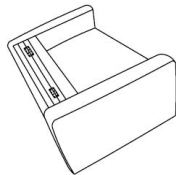
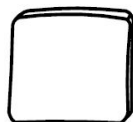
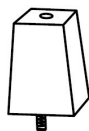
ASSEMBLY TIPS:

1. Remove hardware from box and sort by size.
2. Please check to see that all hardware and parts are present prior to start of assembly.
3. Please follow attached instructions in the same sequence as numbered to assure fast & easy assembly.

**Warning !**

1. Don't attempt to repair or modify parts that are broken or defective. Please contact the store immediately.
2. This product is for home use only and not intended for commercial establishment.

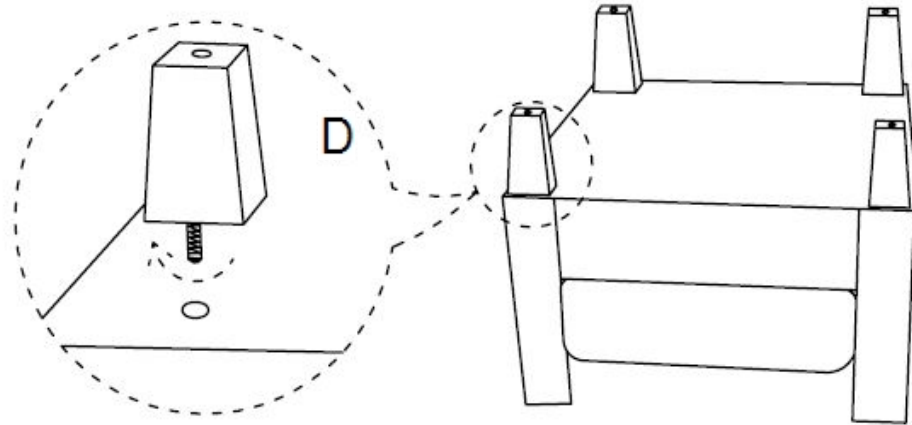
PARTS IDENTIFICATION:

A**CHAIR 1PC****B****CUSHION 1PC****C****BACK CUSHION 1PC****D****LEG 4PCS**

It need one person and take about five minutes to assemble the item.

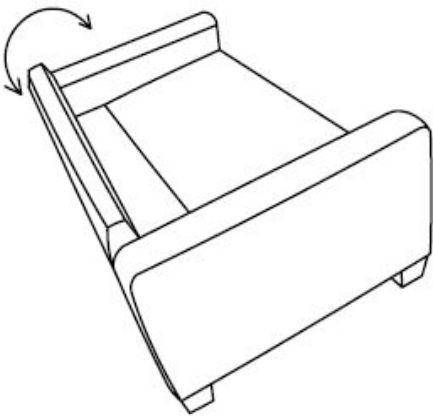
Place the chair upside down on a soft surface. Align and attach the legs.

STEP 1

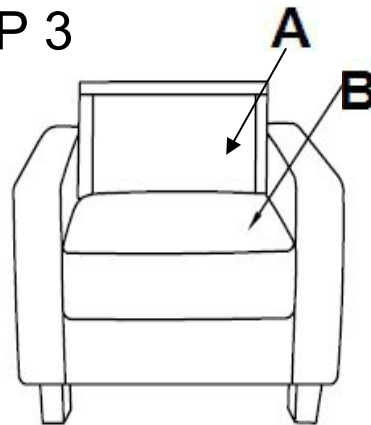


STEP 2

Place the assemble piece from step 1 right side up

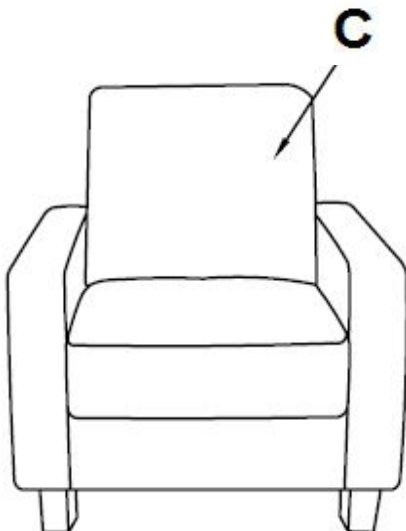


STEP 3



Put the cushions(B) on the chair frame(A) as picture shown

STEP 4



Put the back cushions(C) on the chair frame(A) as picture shown