

COASTER®
Fine Furniture

506592 LOVESEAT

ASSEMBLY INSTRUCTION
COASTER FINE FURNITURE



WWW.COASTERCOMPANY.COM

2017/05/12

Assembly Instruction

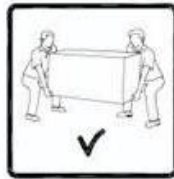
ASSEMBLY TIPS:

- 1.Remove hardware from box and sort by size
- 2.Please check to see that all hardware and parts are present prior to start of assembly
- 3.Please follow attached instructions in the same sequence as numbered to assure fast & easy assembly.



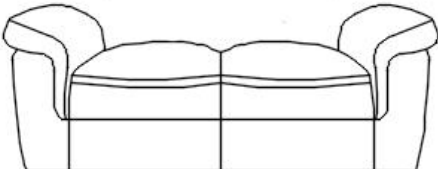
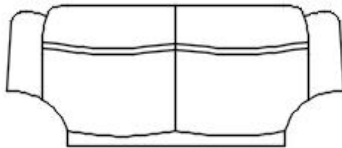
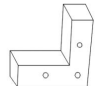
Warning!

- 1.Do not attempt to repair or modify parts that are broken or defective, Please contact the store immediately.
- 2.This product is for home use only and not intended for commercial establishment.

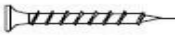


ASSEMBLY TIME PER UNIT: 15 MINUTES

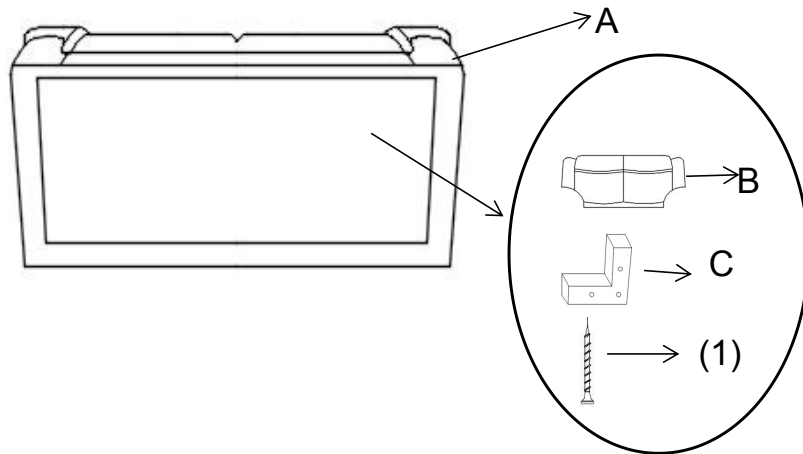
PAPTS IDENTIFICATION

- (A)  SEAT 1PC
- (B)  BACK 1PC
- (C)  LEG 4PCS

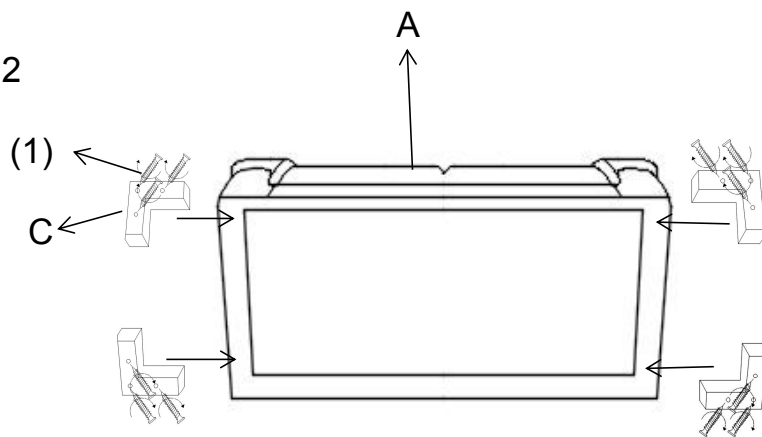
Z HARDWAREPACKAGE

NO	DESCRIPTION	FIGURE	Q'TY
(1)	SCREW		12PCS

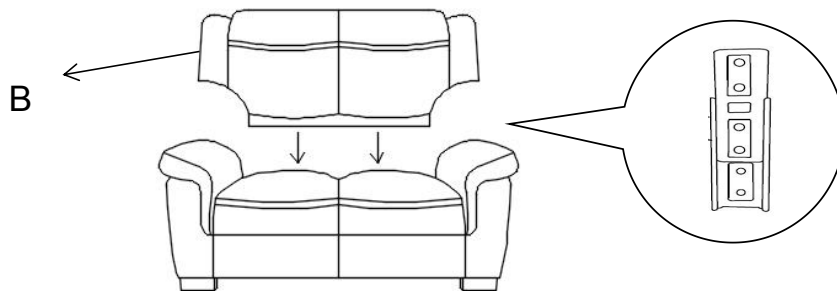
STEP 1



STEP 2



STEP 3



STEP 4

