

COASTER®

Fine Furniture

600087

CHAIR&OTTOMAN

ASSEMBLY INSTRUCTION COASTER FINE FURNITURE



Assembly Instruction

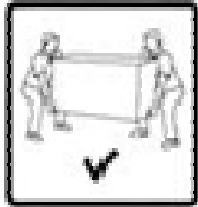
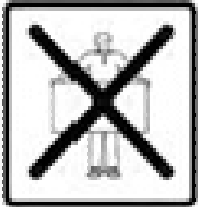
ASSEMBLY TIPS:

- 1: Remove hardware from box and sort by size .
- 2: Please check to see that all hardware and parts are present prior start of assembly.
- 3: Please follow attached instructions in the same sequence as numbered to assure fast & easy assembly .








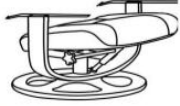

WARNING!

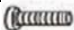








- 1: Don't attempt to repair or modify parts that are broken or defective please contact the store immediately .
- 2: This product is for home use only and not intended for commercial establishment .



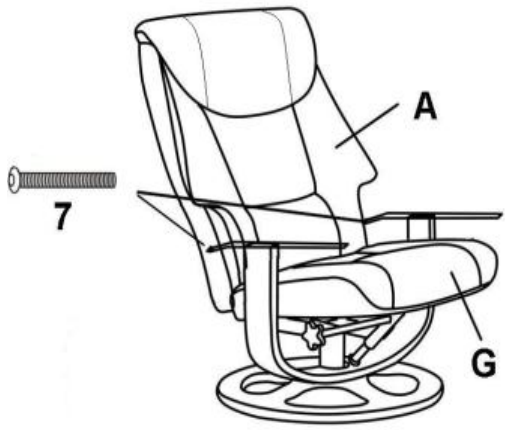
ASSEMBLY TIME PER UNIT:	25 MINUTES
-------------------------	------------

PARTS IDENTIFICATION:

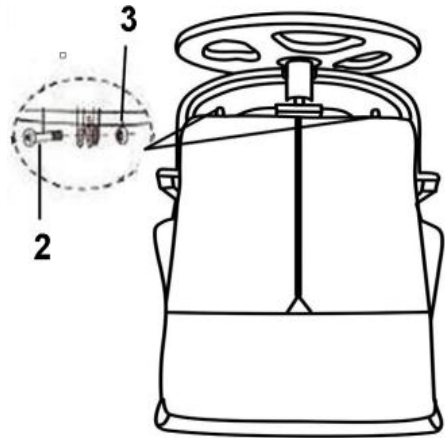
- | | | | | | |
|-----------------|---|-----|-------------------------|---|-----|
| A. BACK CUSHION |  | 1PC | E. OTTOMAN BASE U FRAME |  | 1PC |
| B. LEFT ARM |  | 1PC | F. OTTOMAN BASE |  | 1PC |
| C. RIGHT ARM |  | 1PC | G. CHAIR BASE |  | 1PC |
| D. OTTOMAN PAD |  | 1PC | | | |

Z	HARDWARE IDENTIFICATION			
	DESCRIPTION	FIGURE		Q' TY
1	ALLEN BOLT ϕ 8*40MM			4PCS
2	ALLEN BOLT ϕ 8*25MM			2PCS
3	NUT ϕ 8			2PCS
4	ALLEN BOLT ϕ 6*30MM			4PCS
5	FLAT WASHER			4PCS
6	ALLEN BOLT ϕ 6*20MM			4PCS
7	ALLEN BOLT ϕ 8*60MM			2PCS
8	OPEN END WRENCH			1PC
9	ALLEN KEY			1PC

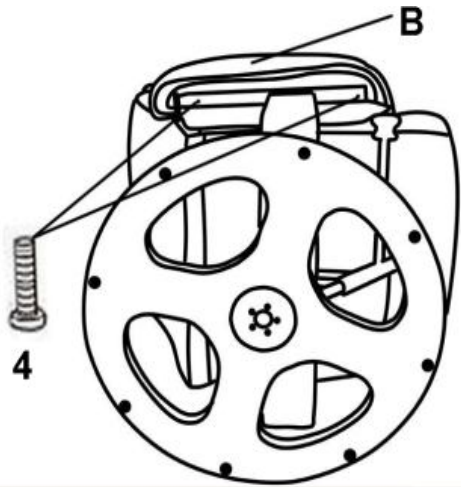
STEP1



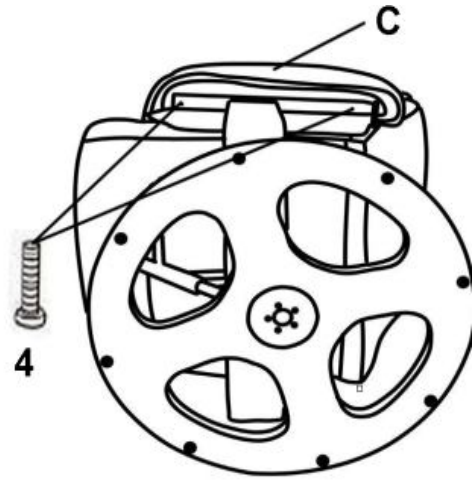
STEP2



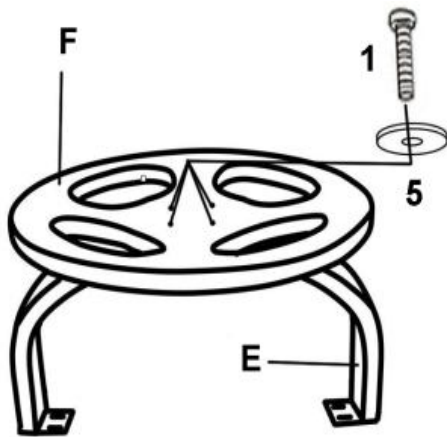
STEP3



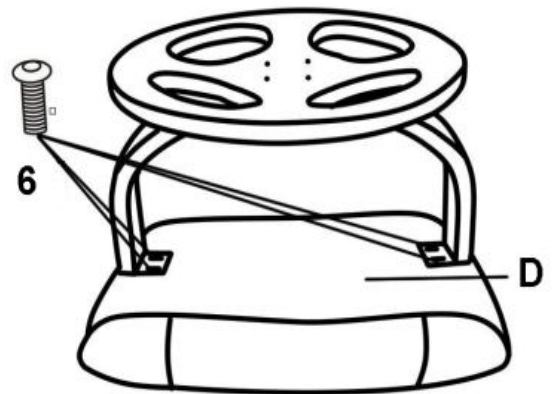
STEP4



STEP5



STEP6



STEP7

