

COASTER[®]
FINE FURNITURE

600174

ROCKING CHAIR

ASSEMBLY INSTRUCTIONS
COASTER FINE FURNITURE



www.coastercompany.com

ASSEMBLY TIPS:

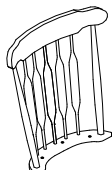

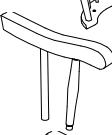
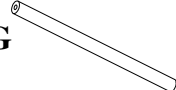
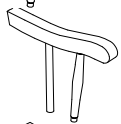
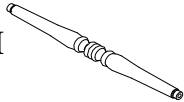
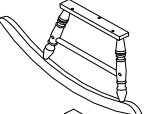
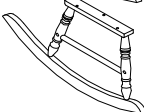
1. Remove hardware from box and sort by size
2. Please check to see that all hardware and parts are present prior to start of assembly.
3. Please follow attached instruction in the same sequence as numbered to assure fast & easy assembly.






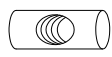




Warning!

1. Don't attempt to repair or modify parts that are broken or defective. Please contact the store immediately.
2. This product is for home use only and not intended for commercial establishment.

PARTS IDENTIFICATION

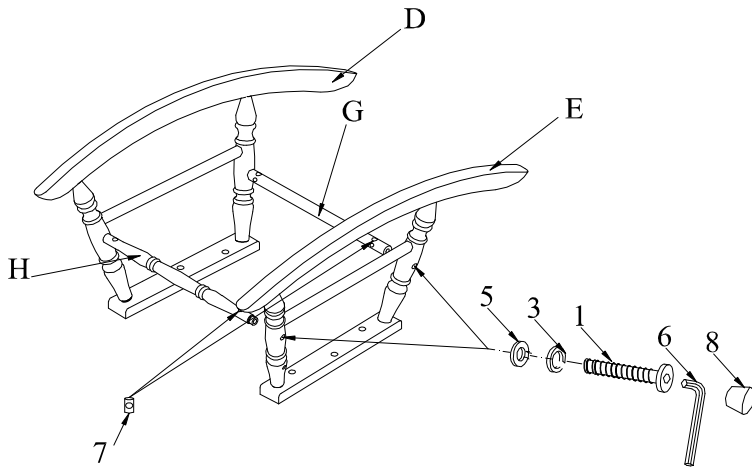
| | | | | | | | |
|----------|---|-----------------|-----|----------|--|-----------------|-----|
| A |  | CHAIR BACK | 1PC | F |  | WOODEN SEAT | 1PC |
| B |  | LEFT ARM REST | 1PC | G |  | BACK STRETCHER | 1PC |
| C |  | RIGHT ARM REST | 1PC | H |  | FRONT STRETCHER | 1PC |
| D |  | LEFT LEG FRAME | 1PC | | | | |
| E |  | RIGHT LEG FRAME | 1PC | | | | |

HARDWARE IDENTIFICATION

| | | | | | | | |
|----------|---|-------------------|-------|----------|--|--------------|------|
| 1 |  | LONG BOLT | 8PCS | 6 |  | ALLEN WRENCH | 1PC |
| 2 |  | SHORT BOLT | 9PCS | 7 |  | BARREL NUT | 6PCS |
| 3 |  | LOCK WASHER | 17PCS | 8 |  | WOOD PLUG | 9PCS |
| 4 |  | BIG FLAT WASHER | 2PCS | | | | |
| 5 |  | SMALL FLAT WASHER | 15PCS | | | | |

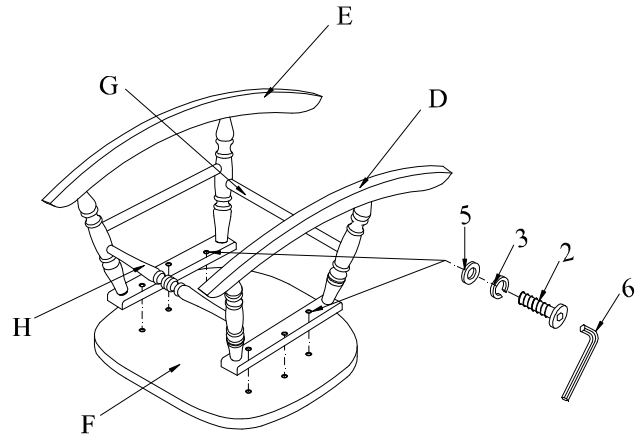
STEP 1

Align and fasten front and back stretchers to left and right leg frame using barrel nut, long bolt, lock washer and small flat washer and tighten with Allen wrench. Insert wood plug into the open holes of leg frame.



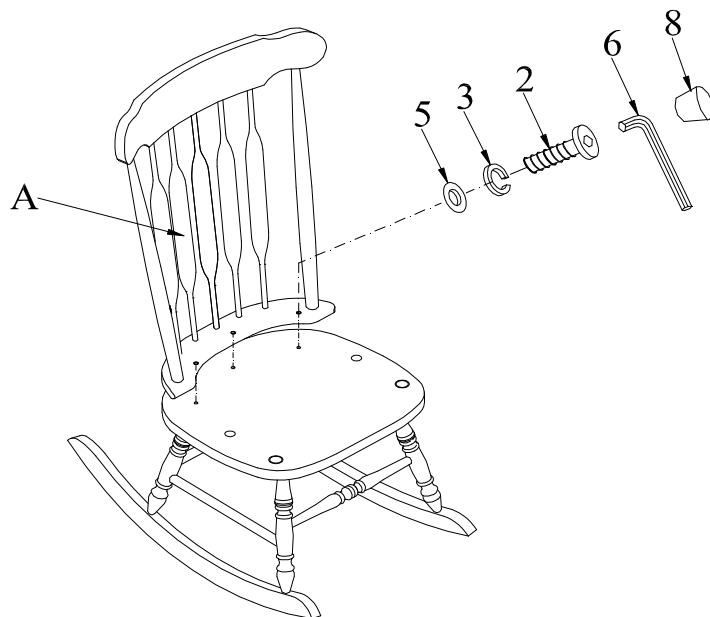
STEP 2

Place wooden seat upside down on soft surface. Align and fasten left and right leg frame to wooden seat using short bolt, lock washer and small flat washer and tighten with Allen wrench.



STEP 3

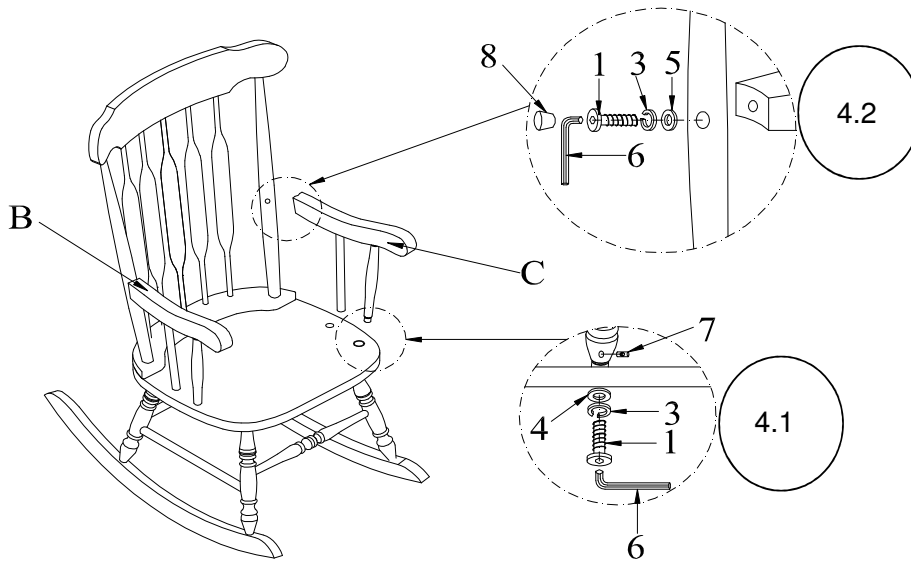
Align and fasten chair back to wooden seat using short bolt, lock washer and small flat washer and tighten with Allen wrench. Insert wood plug into the open holes of chair back brace.



STEP 4

4.1) Align and fasten left and right arm rest to wooden seat using long bolt, lock washer and big flat washer. **DO NOT FULLY TIGHTEN AT THIS STEP.**

4.2) Align and fasten left and right arm rest to chair back using long bolt, lock washer and small flat washer. **THEN FULLY TIGHTEN ALL THE BOLTS AT STEP 4.1 & 4.2 WITH ALLEN WRENCH.** Insert wood plug into the open holes of chair back.



STEP 5
Complete.

