

COASTER[®]
FINE FURNITURE

700722
TV STAND

ASSEMBLY INSTRUCTION
COASTER FINE FURNITURE



www.coastercompany.com

06/11/2012

ASSEMBLY INSTRUCTIONS

ASSEMBLY TIPS:

1. Remove hardware from box and sort by size.
2. Please check to see that all hardware and parts are present prior to start of assembly.
3. Please follow attached instructions in the same sequence as numbered to assure fast & easy assembly.



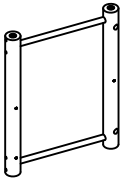
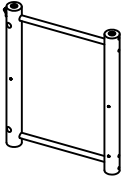


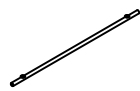

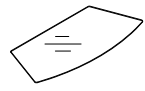
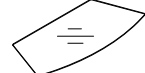
Warning !










1. Don't attempt to repair or modify parts that are broken or defective . Please contact the store immediately.
2. This product is for home use only and not intended for commercial establishment.

PARTS IDENTIFICATION



Z

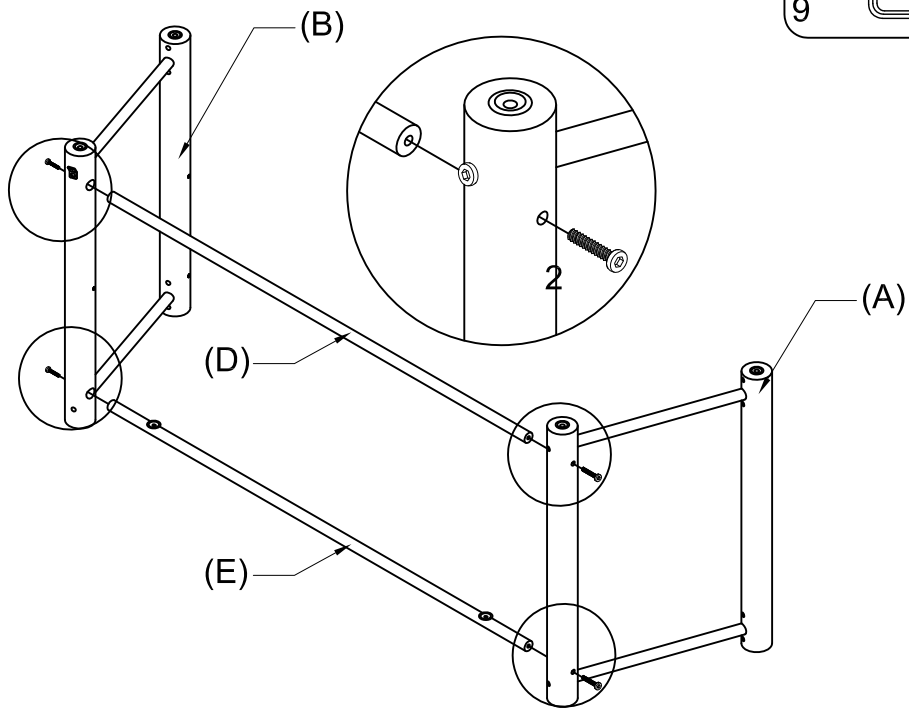
HARDWARE PACKAGE

- A LEFT PANEL  1pc
- B RIGHT PANEL  1pc
- C ARC TUBE  4pcs
- D BACK UPPER CROSSBAR  1pc
- E BOTTOM CROSSBAR  1pc
- F TOP GLASS  1pc
- G MIDDLE GLASS  1pc
- H BOTTOM GLASS  1pc



NO	DESCRIPTION	FIGURE	Q`TY
1	ALLEN BOLT - LARGE		8pcs
2	ALLEN BOLT - SMALL		4pcs
3	SCREW		6pcs
4	SUCTION CUP		6pcs
5	CONNECTION IRON		1pc
6	ANCHORS		1pc
7	TIPPING RESTRAINT		1pc
8	SCREW		1pc
9	ALLEN WRENCH		1pc

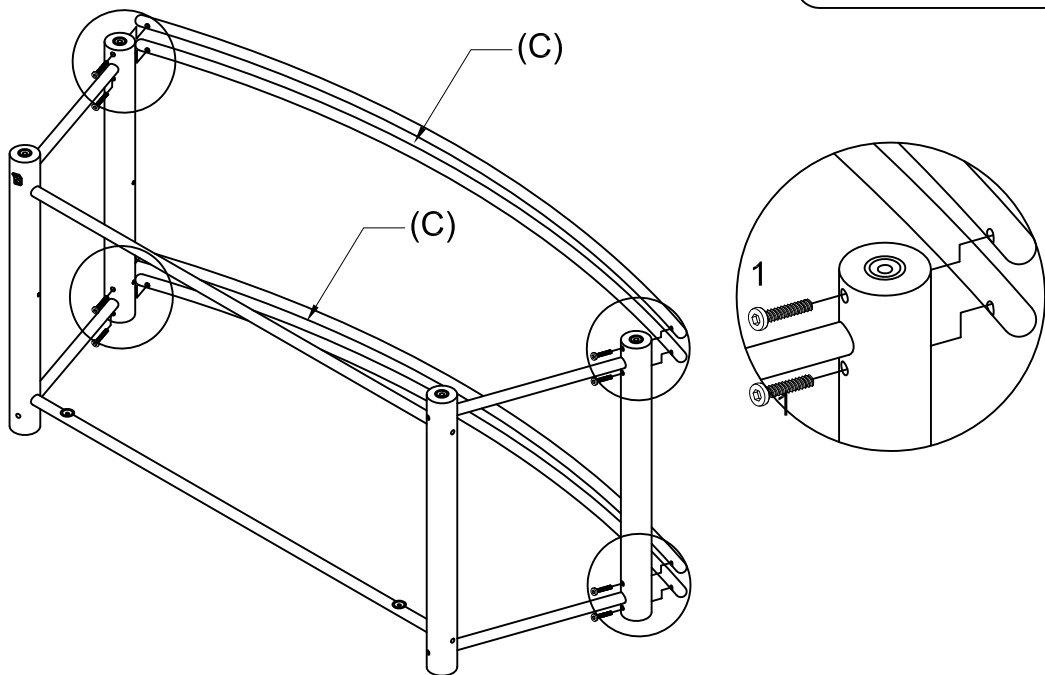
STEP 1: Assemble the back upper and bottom crossbar to the left and right panel.

- | | | |
|---|---|------|
| 2 |  | 4pcs |
| 9 |  | |





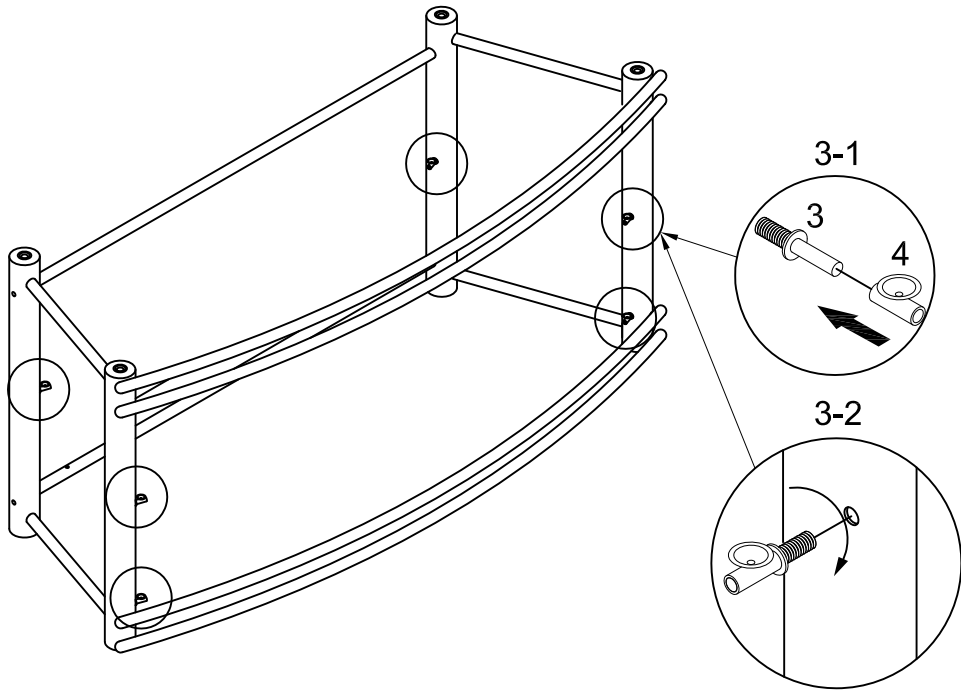
STEP 2: Assemble the arc tube to the left and right panel.

- | | | |
|---|---|------|
| 1 |  | 8pcs |
| 9 |  | |

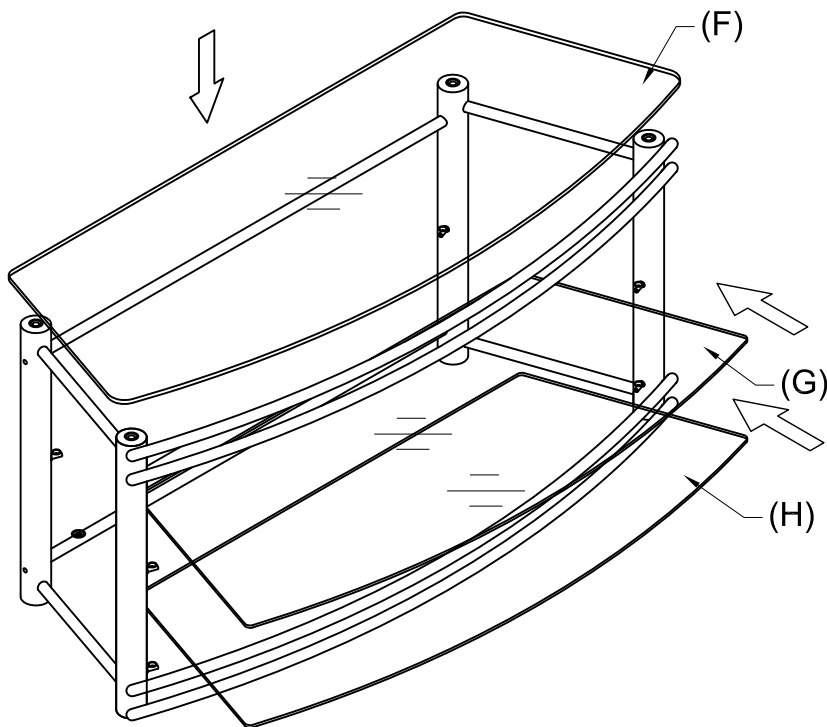


STEP 3: Attach the acetabula to the bolt, and then attached it to the post.




3		6pcs
4		6pcs

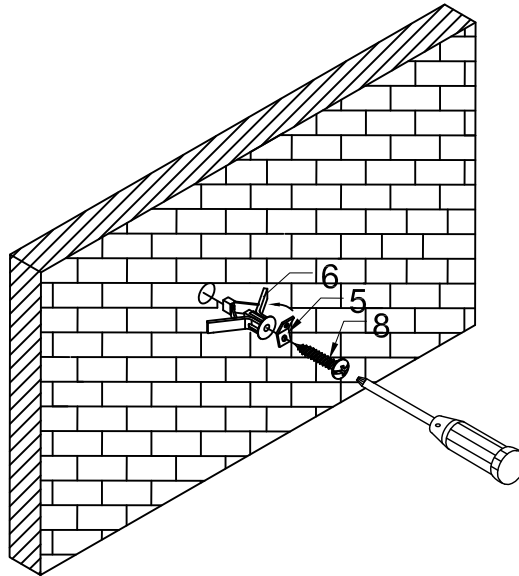


STEP 4: Carefully lift the top glass to the frame, and put the middle and bottom glass to each position.



STEP 5: Drill one hole into wall with power drill, push Anchors into wall holes. Using a Phillips screwdriver, turn screw with Connection iron into Anchors.

5		1PC
6		1PC
8		1PC



TO PREVENT TIP OVER PRODUCT MUST BE ATTACHED TO WALL

STEP 6: We have included one Tipping Restraint for this unit. You must connect this one to prevent accidents or injuries. When properly connected, this Tipping Restraint can provide protection

