

# COASTER. 702507

FINE FURNITURE

## END TABLE

ASSEMBLY INSTRUCTION  
COASTER FINE FURNITURE




[www.coastercompany.com](http://www.coastercompany.com)

# Assembly Instruction



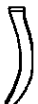
## ASSEMBLY TIPS:





- 1.Remove hardware from box and sort by size.
- 2.please check to see that all hardware and parts are present prior start of assembly.
- 3.please follow attached instructions in the same sequence as numbered to assure fast & easy assembly.

 **Warning!**

- 1.Don't attempt to repair or modify parts that are broken or defective .Please contact the store immediately.
- 2.This product is for home use only and not intended for commercial establishment.

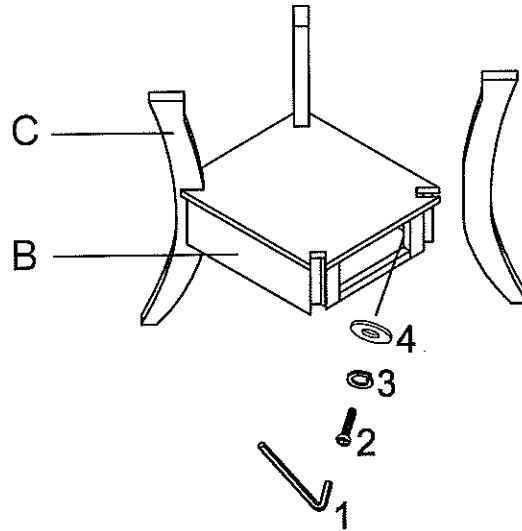
## PARTS IDENTIFICATION

A		TOP	1PC
B		COMPLETE DRAWER	1PC
C		LEG	4PCS

Z	HARDWARE IDENTIFICATION		
1	ALLEN KEY M5mm		1PC
2	ALLEN BOLT-BIG Ø5/16"*2"		12PCS
3	SPRING WASHER-BIG Ø5/16"		12PCS
4	FLAT WASHER-BIG Ø5/16"*19mm		12PCS

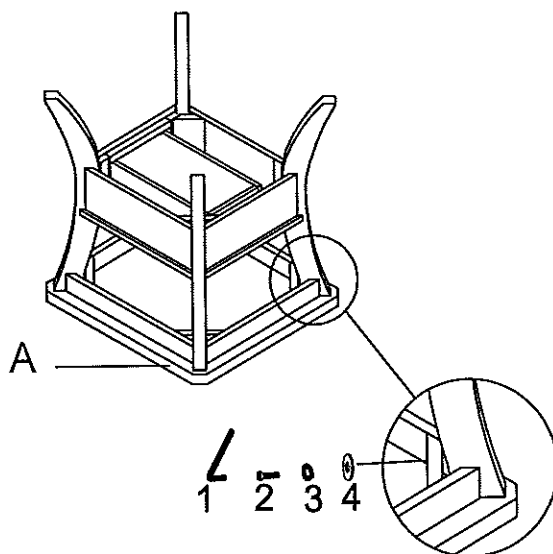
**STEP 1**

Take out COMPLETE DRAWER (B) and LEG (C),turn the LEG as shown,put the COMPLETE DRAWER in the corresponding groove on the bottom of the LEG,and secure the SPRING WASHER (3) and FLAT WASHER (4) on the ALLEN BOLT (2) using the ALLEN KEY (1) as pictured.



**STEP 2**

Take out the TOP (A) and place it upside down on a non-abrasive surface. Secure the base frame in the corresponding position for the top. Secure the SPRING WASHER (3) and FLAT WASHER (4) on the ALLEN BOLT (2) using the ALLEN KEY (1) as pictured.



**STEP 3**

Completed assembly

