

COASTER[®]
FINE FURNITURE

800142

OFFICE CHAIR

**ASSEMBLY INSTRUCTION
COASTER FINE FURNITURE**



www.coastercompany.com

Assembly Instruction

ASSEMBLY TIPS:

1. Remove hardware from box and sort by size.
2. Please check to see that all hardware and parts are present prior to start of assembly.
3. Please follow attached instructions in the same sequence as numbered to assure fast & easy assembly.


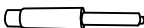








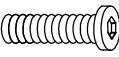
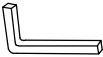
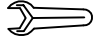
Warning !

1. Don't attempt to repair or modify parts that are broken or defective .Please contact the store immediately.
2. This product is for home use only and not intended for commercial establishment.

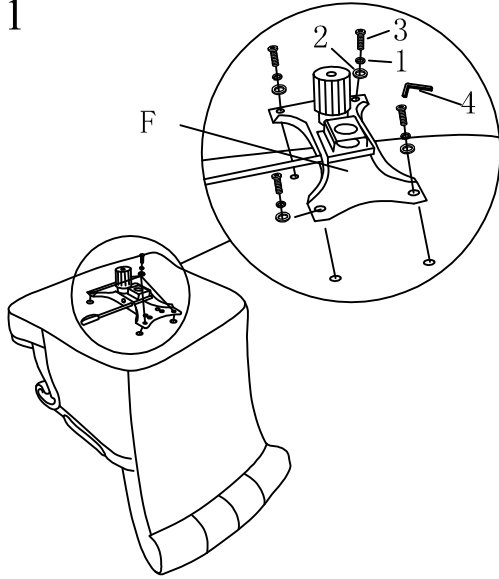
PARTS IDENTIFICATION

Z HARDWARE IDENTIFICATION

- A CUSHION  1PC
- B CYLINDER  1PC
- C CYLINDER COVER  1PC
- D BASE  1PC
- E CASTER  5PCS
- F ADJUSTING PLATE  1PC

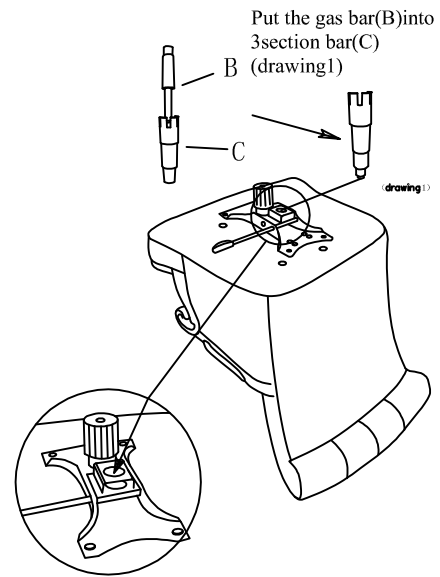
No	DESCRIPTION	FIGURE	Q' TY
1	5/16" LOCK WASHER		4PCS
2	5/16" FLAT WASHER		4PCS
3	5/16"X1-1/4" BOLT		4PCS
4	5mm ALLEN KEY		1PC
5	WRENCH		1PC

STEP:1



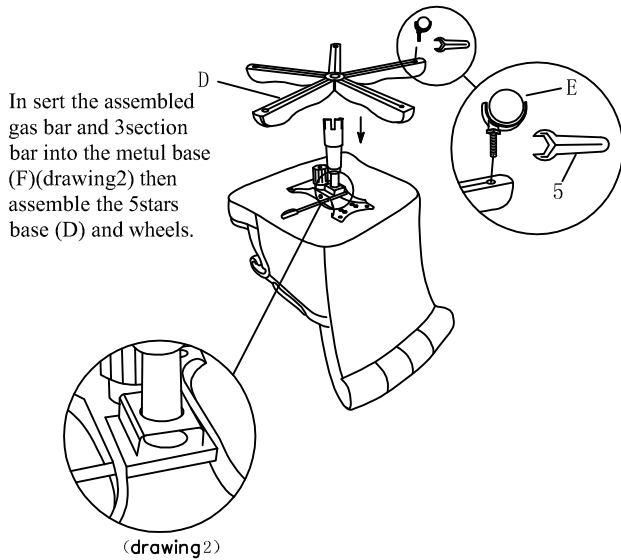
STEP 1: Assembly metal base plate with office cushion, using #3 bolt, #1 lock washer, #2 flat washer and tighten with #4 Allen key by hand.

STEP:2



Put the gas bar(B) into 3section bar(C) (drawing1)

STEP:3



In sert the assembled gas bar and 3section bar into the metal base (F)(drawing2) then assemble the 5stars base (D) and wheels.

(drawing2)

STEP:4



STEP 4: Place chair on the floor or flat surface and hold down with one hand while tightening all bolts with allen wrench.