

COASTER
FINE FURNITURE®

800150

OFFICE CHAIR

ASSEMBLY INSTRUCTION

COASTER FINE FURNITURE



www.coastercompany.com

Assembly Instruction

ASSEMBLY TIPS:

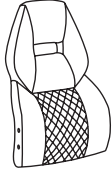




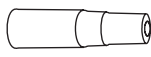
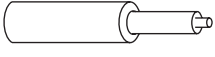


1. Remove hardware from box and sort by size.
2. Please check to see that all hardware and parts are present prior to start of assembly.
3. Please follow attached instructions in the same sequence as numbered to assure fast & easy assembly.

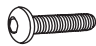
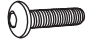
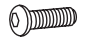






Warning!

1. Don't attempt to repair or modify parts that are broken or defective. Please contact the store immediately.
2. This product is for home use only and not intended for commercial establishment.

PARTS IDENTIFICATION: Z HARDWARE PACKAGE

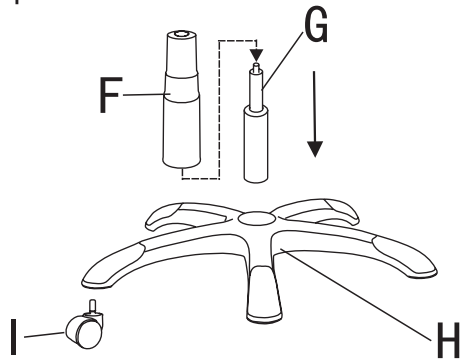
- (A) BACK  1PC
- (B) SEAT  1PC
- (C) RIGHT ARM  1PC
- (D) LEFT ARM  1PC
- (E) MECHANISM  1PC
- (F) COVER FOR GAS LIFT  1PC
- (G) GAS LIFT  1PC
- (H) BASE  1PC
- (I) CASTER  5PCS

NO	DESCRIPTION	FIGURE	Q'TY
1	LONG BOLT	 M6*30	2PCS
2	MEDIUM BOLT	 M6*25	6PCS
3	SHORT BOLT	 M6*20	4PCS
4	ALLEN WRENCH	 M6	1PC
5	MEDIUM BOLT CAP		6PCS
6	LONG BOLT CAP		2PCS
7	WASHER	 M6*18*1.2	4PCS

ITEM: 800150

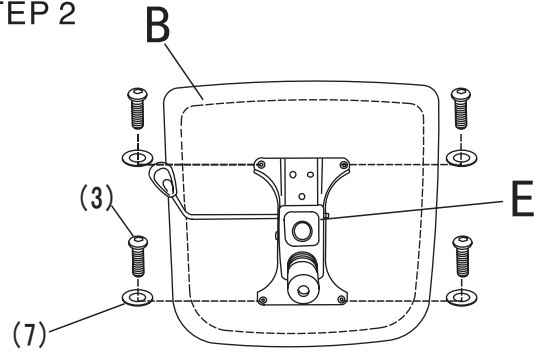
It needs two persons and takes about thirty minutes to assemble the item. **ASSEMBLY INSTRUCTION**

STEP 1



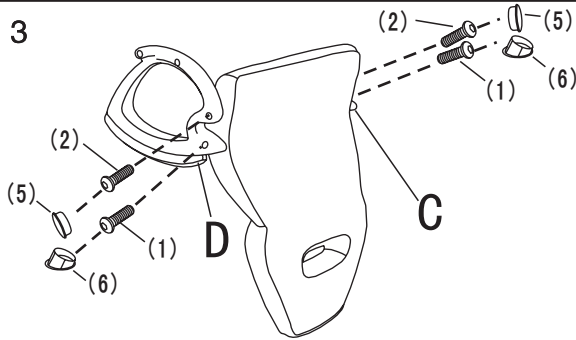
PUT GAS LIFT (G) INTO THE COVER FOR GAS LIFT (F) AND THEN ATTACH CASTER (I) TO BASE (H).

STEP 2



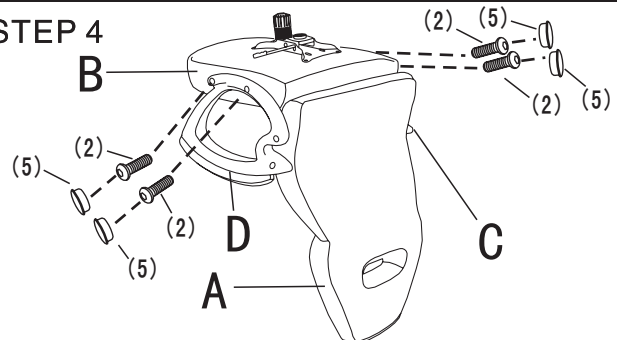
ATTACH THE MECHANISM (E) TO THE SEAT (B) WITH WASHER (7) AND SHORT BOLT (3). TIGHTEN WITH ALLEN WRENCH (4).

STEP 3



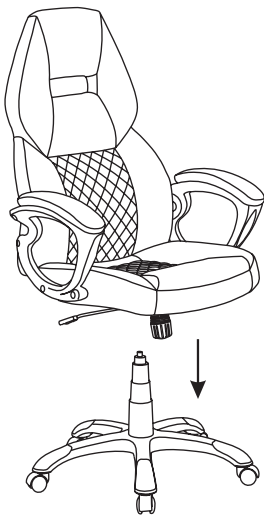
ATTACH THE RIGHT ARM AND LEFT ARM (C & D) TO THE BACK WITH LONG BOLTS (1) AND SHORT BOLTS (2). TOUGHEN WITH ALLEN WRENCH. COVER BOLTS WITH CAPS (5 & 6).

STEP 4



ALIGN BACK (A) TO THE SEAT (B). ATTACH THE RIGHT ARM AND LEFT ARM (C & D) TO THE SEAT (B) WITH SHORT BOLTS (2). TOUGHEN WITH ALLEN WRENCH. COVER BOLTS WITH CAPS (5).

STEP 5



ATTACH THE CHAIR TO THE GASLIFT (G)

STEP 6

