



800206

HIGHBACK OFFICE SWIVEL CHAIR

---

ASSEMBLY INSTRUCTION  
COASTER FINE FURNITURE



[WWW.COASTERCOMPANY.COM](http://WWW.COASTERCOMPANY.COM)

---

# Assembly Instruction

**ASSEMBLY TIPS:**

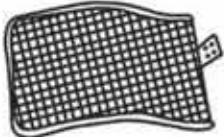








1. Remove hardware from box and sort by size.
2. Please check to see that all hardware and parts are present prior to start of assembly.
3. Please follow attached instructions in the same sequence as numbered to assure fast & easy assembly.




**Warning!**

1. Do not attempt to repair or modify parts that are broken or defective. Please contact the store immediately.
2. This product is for home use only and not intended for commercial establishment.

**PARTS IDENTIFICATION:**

- (A) BACK  1PC
- (B) SEAT  1PC
- (CL) LEFT ARM  1PC
- (CR) RIGHT ARM  1PC
- (D) MECHANISM  1PC
- (E) GASLIFT  1PC
- (F) HEADREST  1PC
- (G) BASE  1PC
- (H) CASTER  5PCS

**Z HARDWARE PACKAGE:**

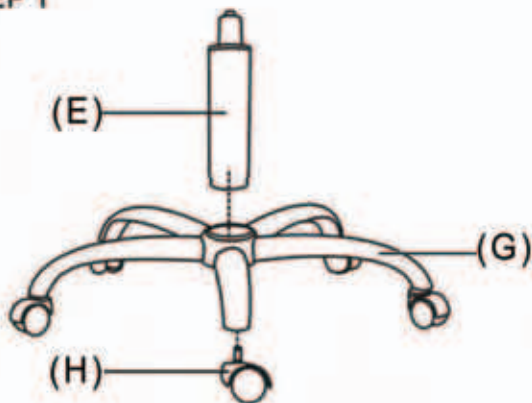
NO	DESCRIPTION	FIGURE	Q'TY
1	SHORT BOLT		10PCS
2	LONG BOLT		4PCS
3	WASHER M6X18X1.5MM		14PCS
4	ALLEN WRENCH		1PC
5	BOLTS M6X18MM		2PC

# ITEM:800206

## ASSEMBLY INSTRUCTIONS

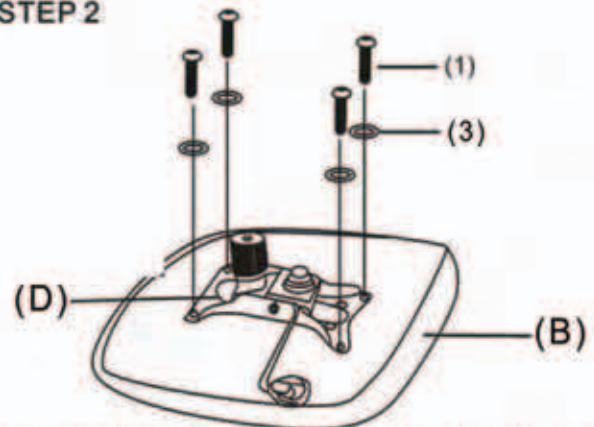
It needs one person and takes about ten minutes to assemble the item

### STEP 1



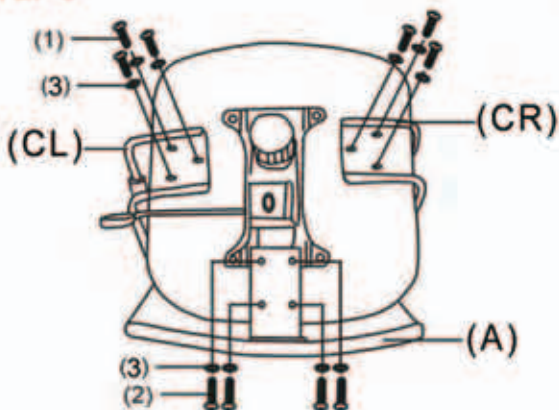
ATTACH CASTERS(H) TO BASE(G).  
INSERT GAS LIFT INTO BASE.

### STEP 2



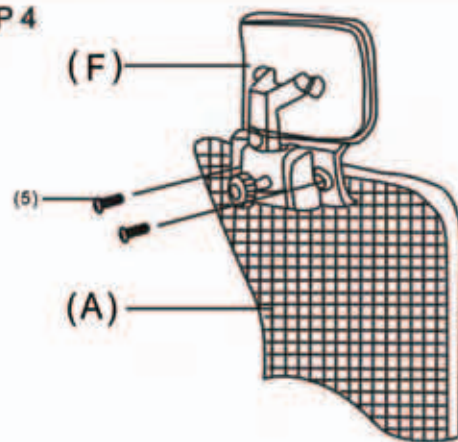
ATTACH MECHANISM(D) ONTO THE BOTTOM OF THE SEAT(B) WITH SHORT BOLTS(1) AND WASHERS(3)

### STEP 3



ATTACH ARMRESTS(CL) AND (CR) TO THE SEAT(B) WITH SHORT BOLTS (1) AND WASHERS(3). ATTACH SEAT(B) TO THE BACK(A) WITH LONG BOLTS(2) AND WASHER(3). TIGHTEN ALL BOLTS WITH ALLEN WRENCH(4).

### STEP 4



ATTACH HEADREST (F) TO THE BACK (A) WITH BOLTS (5).

### STEP 5



ATTACH THE CHAIR TO GASLIFT

### STEP 6

