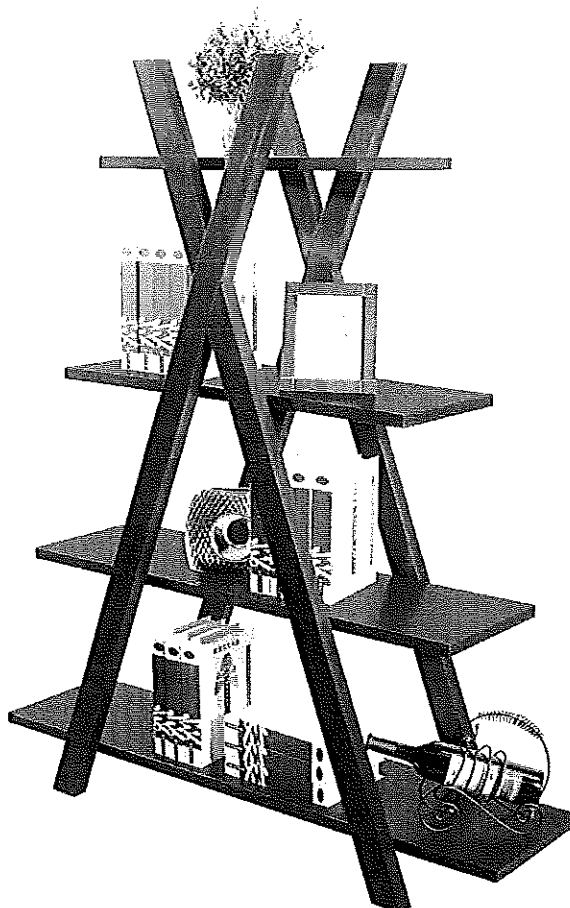


COASTER[®]
FINE FURNITURE

800267

BOOKSHELF

**ASSEMBLY INSTRUCTION
COASTER FINE FURNITURE**



www.coastercompany.com

ASSEMBLY INSTRUCTION

ASSEMBLY TIPS:

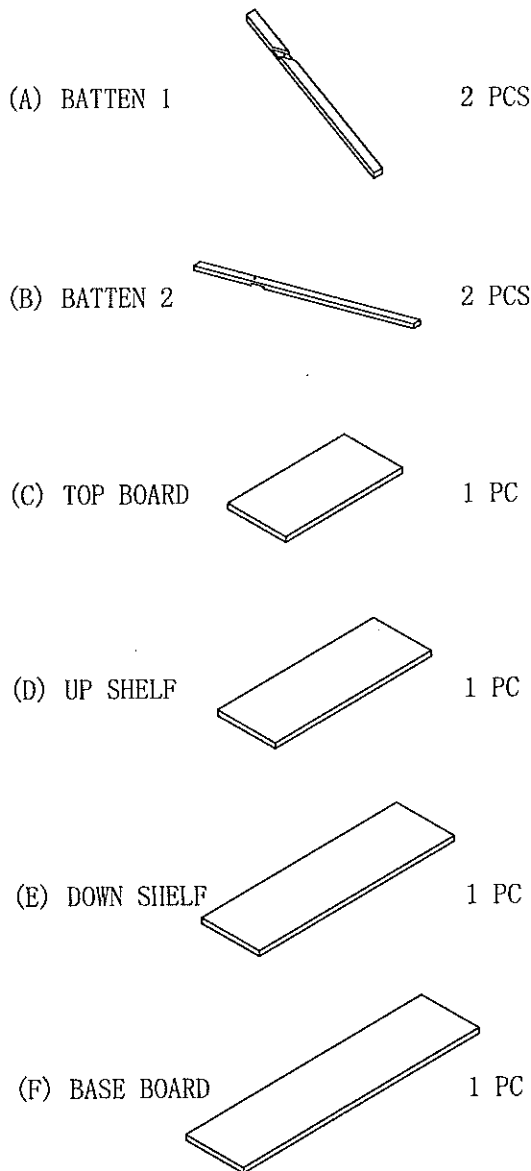
- 1.Remove hardware from box and sort by size.
- 2.Please check to see that all hardware and parts are present prior to start of assembly.
- 3.Please follow attached instructions in the same sequence as numbered to assure fast & easy assembly.



Warning !!

1. Don't attempt to repair or modify parts that are broken or defective .Please contact the store immediately.
2. This product is for home use only and not intended for commercial establishment.

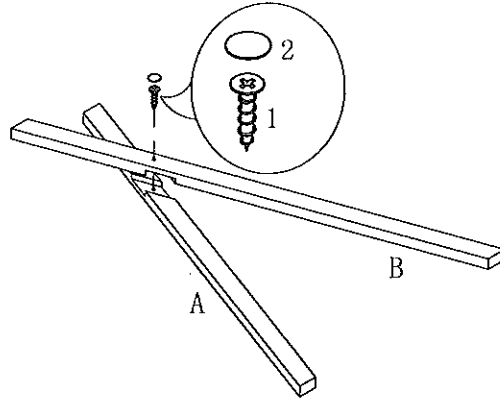
PARTS IDENTIFICATION



Z HARDWARE PACKAGE

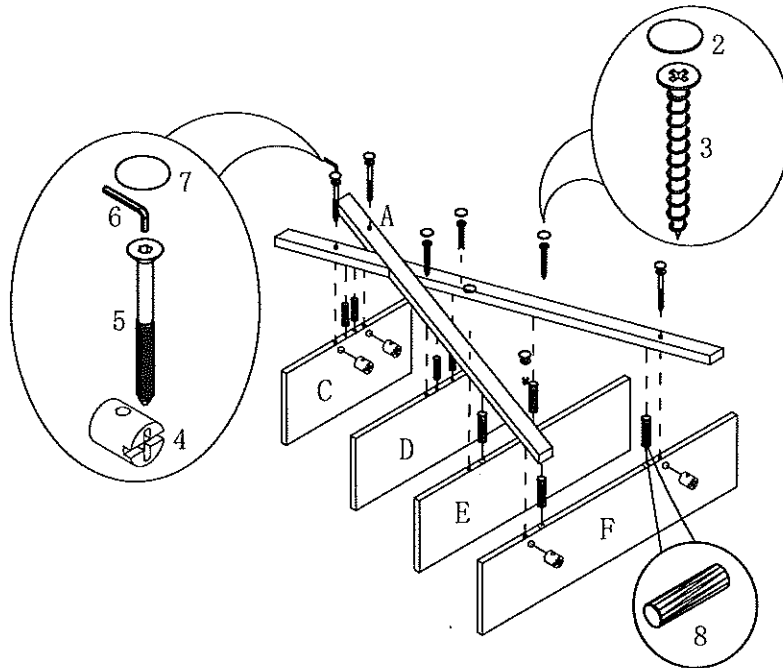
NO	DESCRIPTION	FIGURE	Q' TY
1	SCREW $\varnothing 4 \times 25\text{mm}$		3 pcs
2	STICKER $\varnothing 13\text{mm}$		10 pcs
3	SCREW $\varnothing 4 \times 50\text{mm}$		8 pcs
4	SCREW CAP $\varnothing 10 \times 15\text{mm}$		8 pcs
5	SCREW $\varnothing 6 \times 65\text{mm}$		8 pcs
6	ALLEN WRENCH M4mm		1 pc
7	STICKER $\varnothing 18\text{mm}$		8 pcs
8	DOWEL $\varnothing 8 \times 25\text{mm}$		16 pcs
9	ANTI-TIP HARDWARE		1 pc
10	SCREW $\varnothing 5 \times 40\text{mm}$		1 pc
11	PLASTIC PLUG $\varnothing 8 \times 40\text{mm}$		1 pc
12	GLUE 10g		1 pc

- ① Insert 1 through B and screw in A.
- ② Cover 1 with 2.



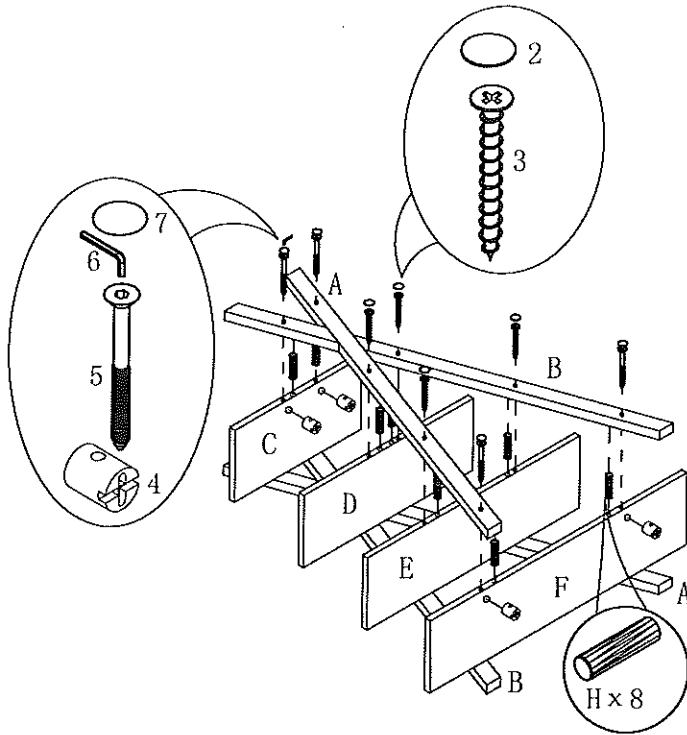
STEP 1

STEP 2



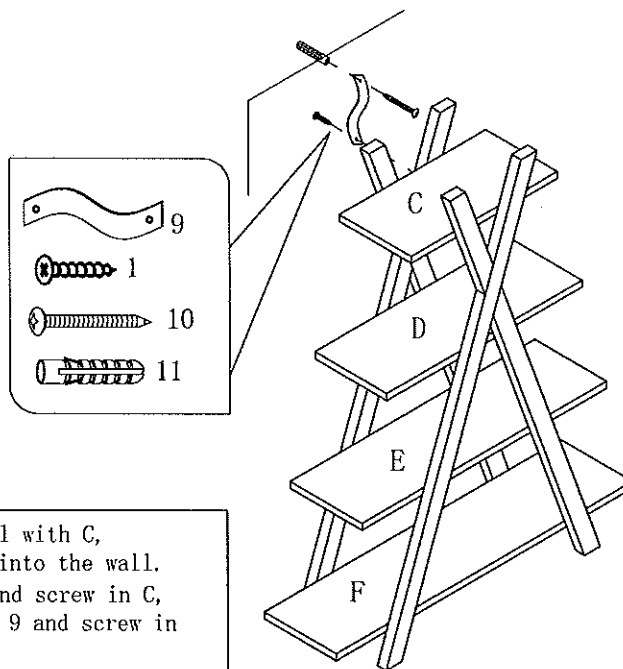
- ① Put 4 into C, D, E, F. 8 drop12 and insert C, D, E, F.
- ② Align the hole , put A, B together with C, D, E, F and fix them tightly.
- ③ Insert 5 through A, B by 6 and screw in C&F.
- ④ Insert 3 through A, B and screw in D&E.
- ⑤ Cover 5 with 7, cover 3 with 2.

same as step2 (the other side of the book shelf)



STEP 3

STEP 4



- ① Drill a hole on the wall parallel with C, size \varnothing 7mm, deep 50mm, knock the 11 into the wall.
- ② Insert 1 through one side of 9 and screw in C, insert 10 through the other side of 9 and screw in 11.